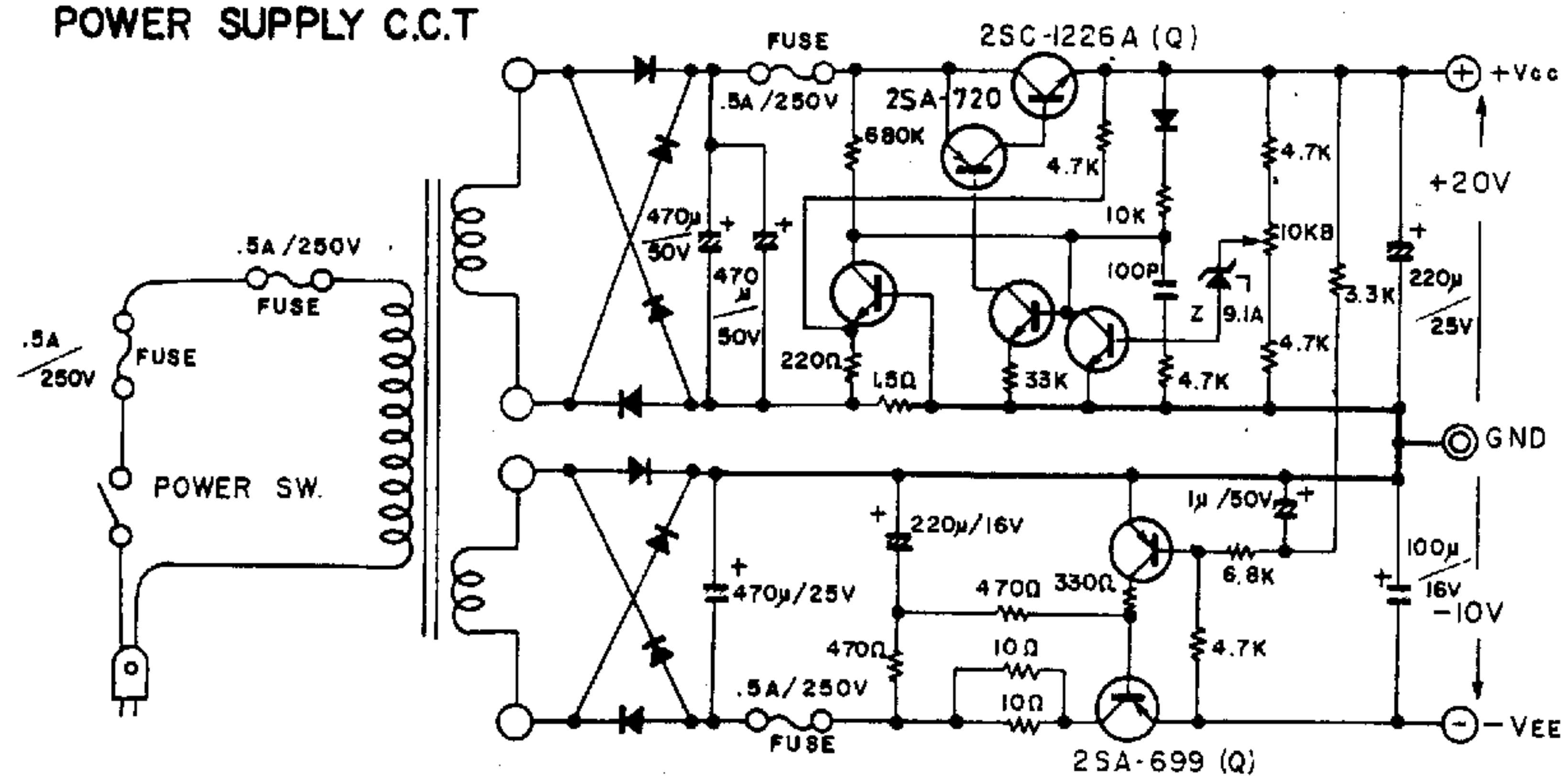
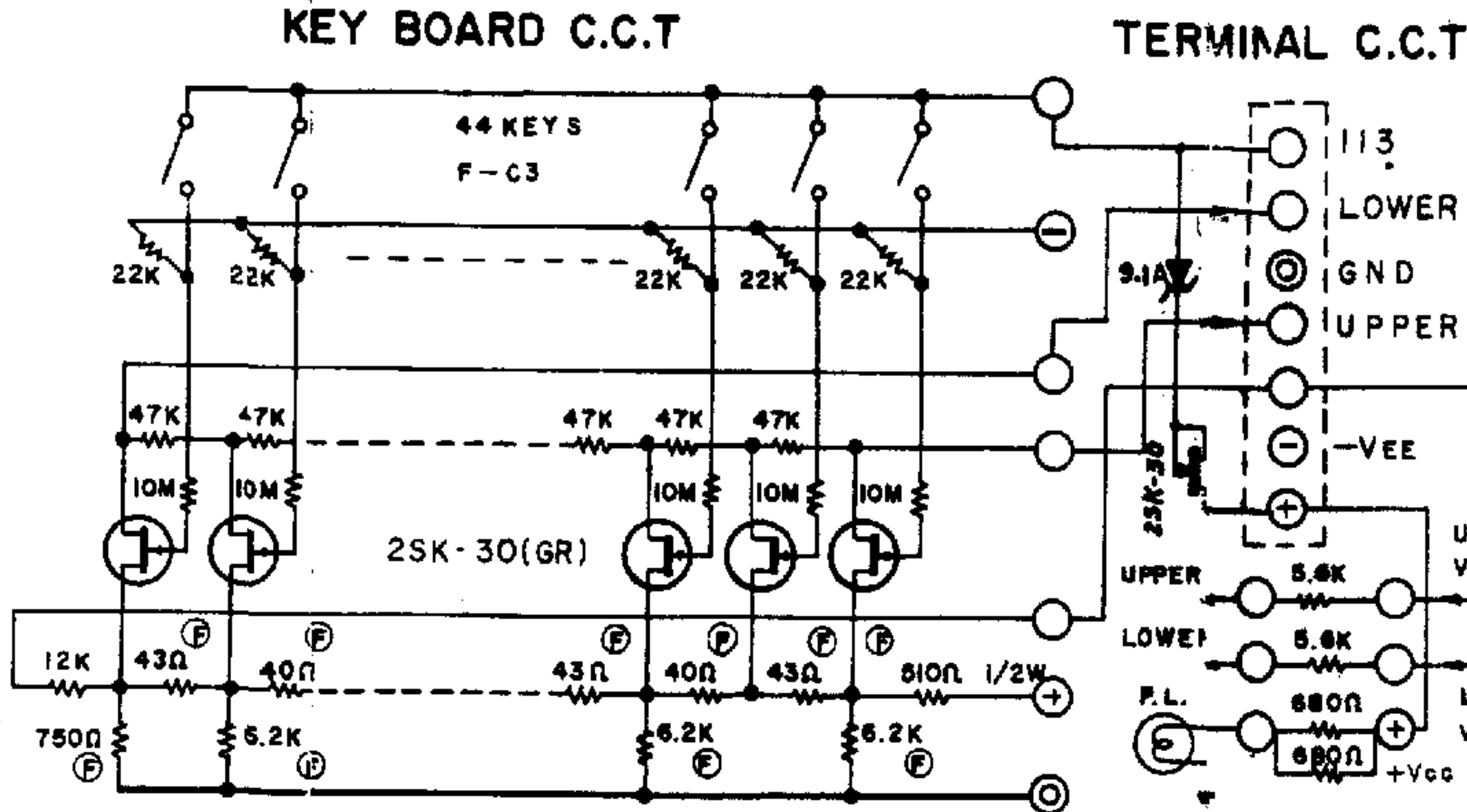


OVER ALL CIRCUIT DIAGRAM KORG 800 DV

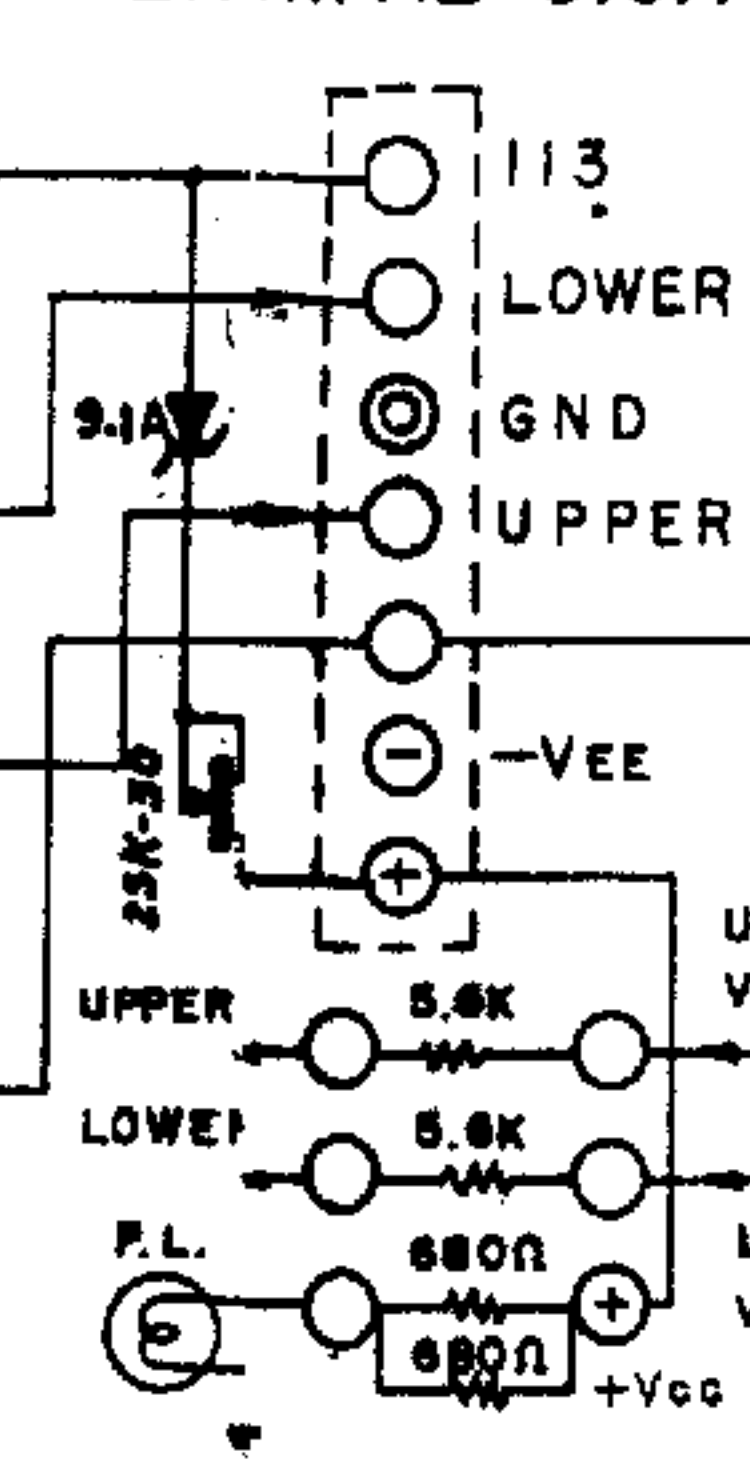
POWER SUPPLY C.C.T



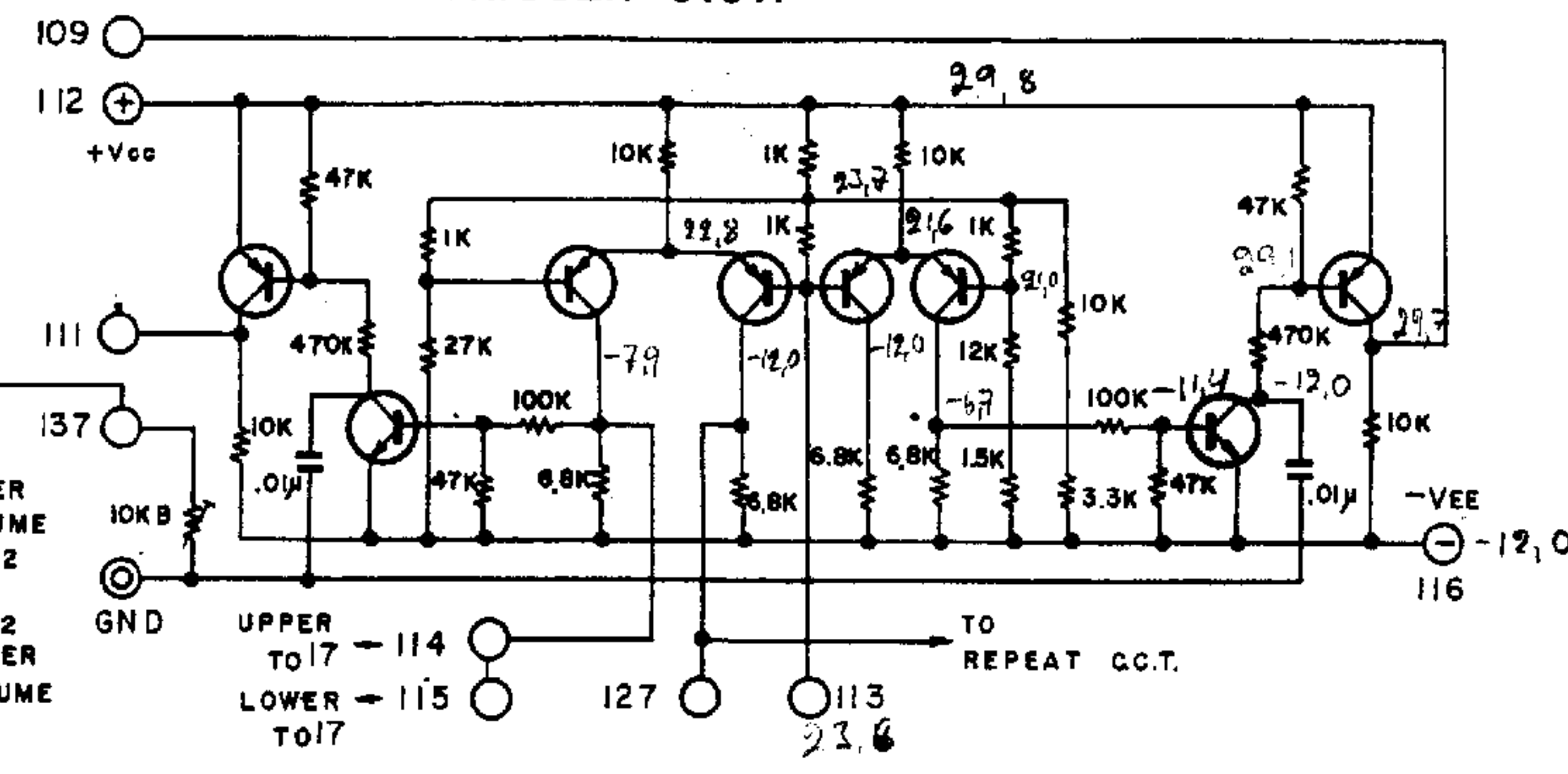
KEY BOARD C.C.T



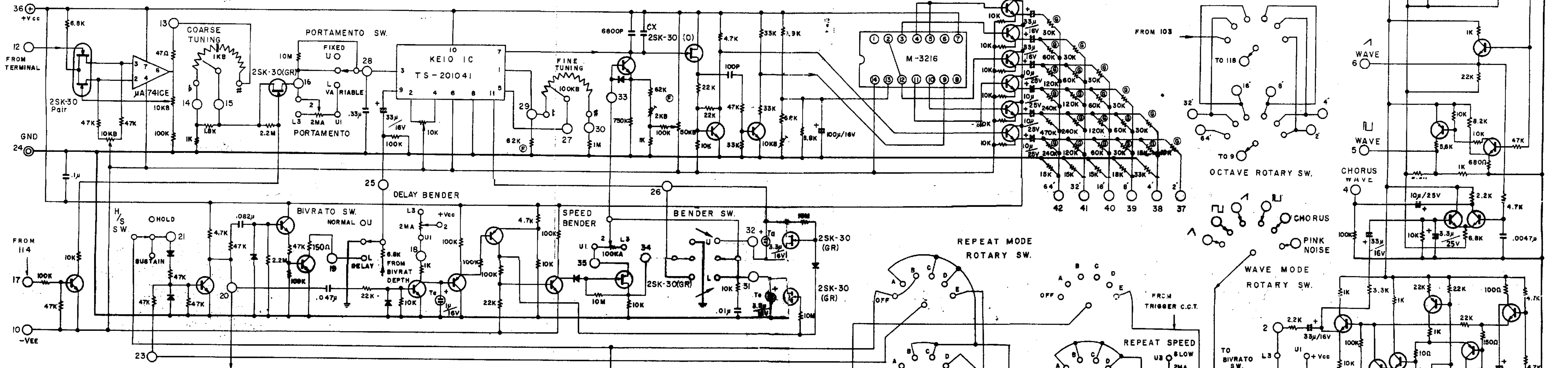
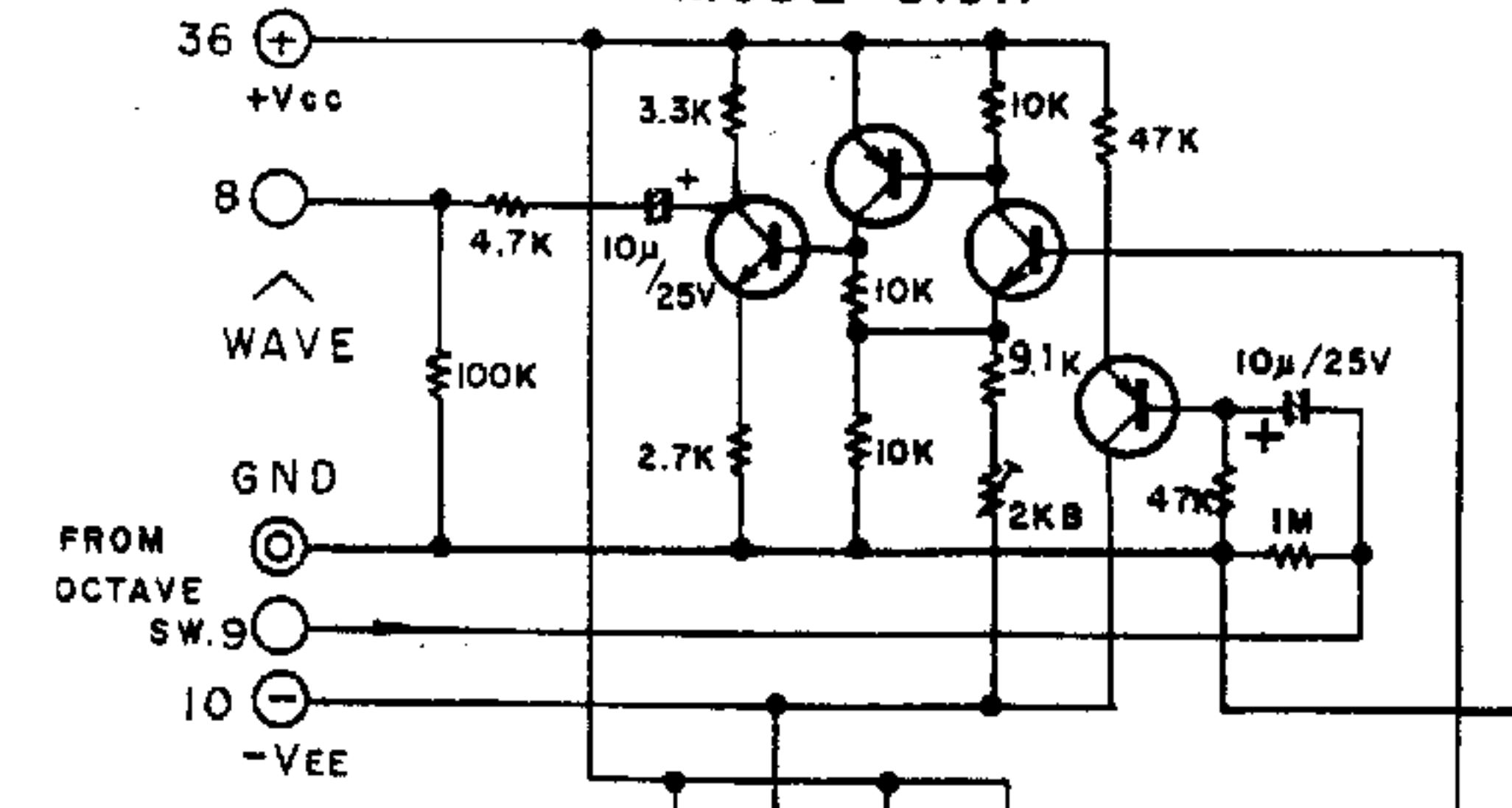
TERMINAL C.C.T



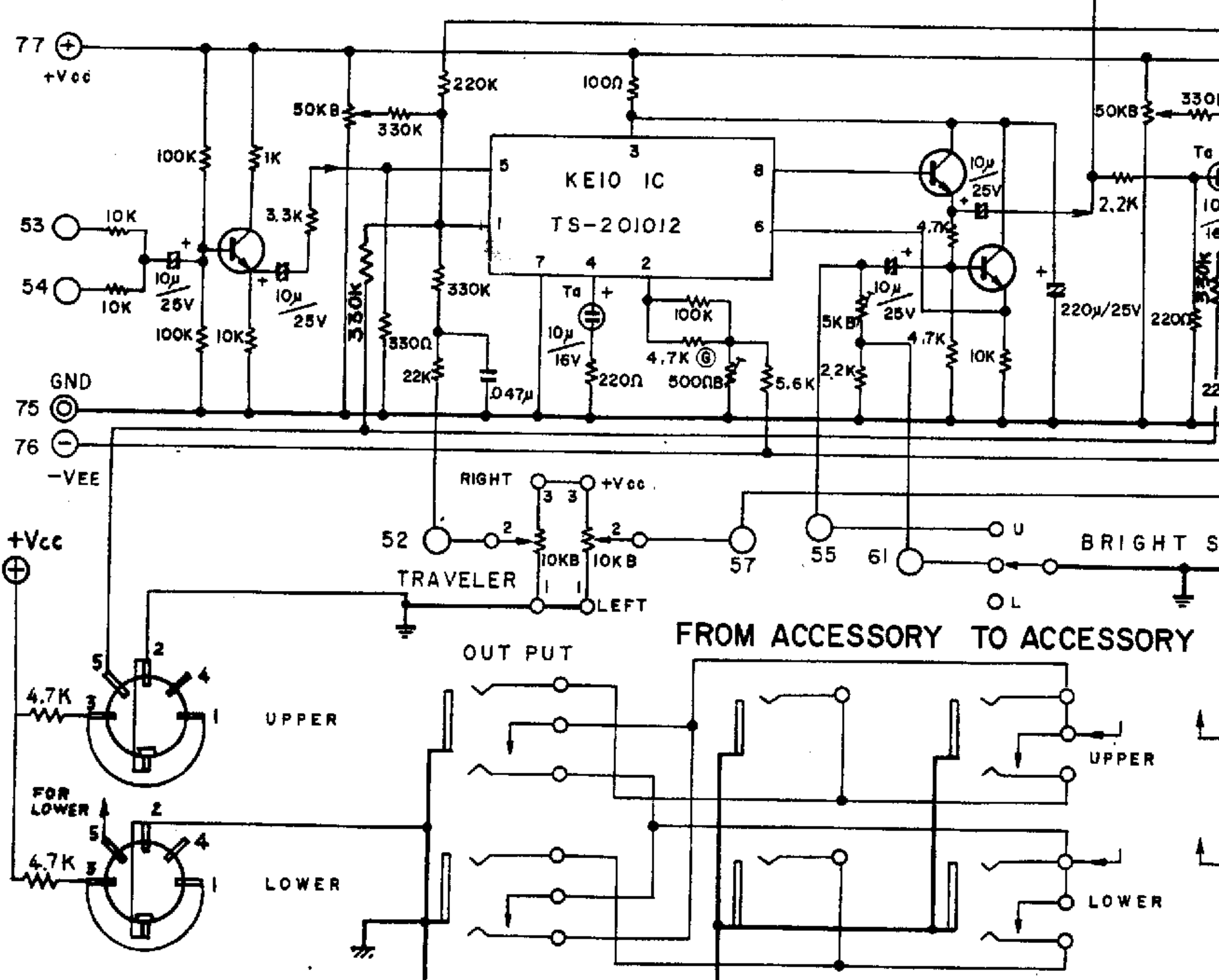
TRIGGER C.C.T



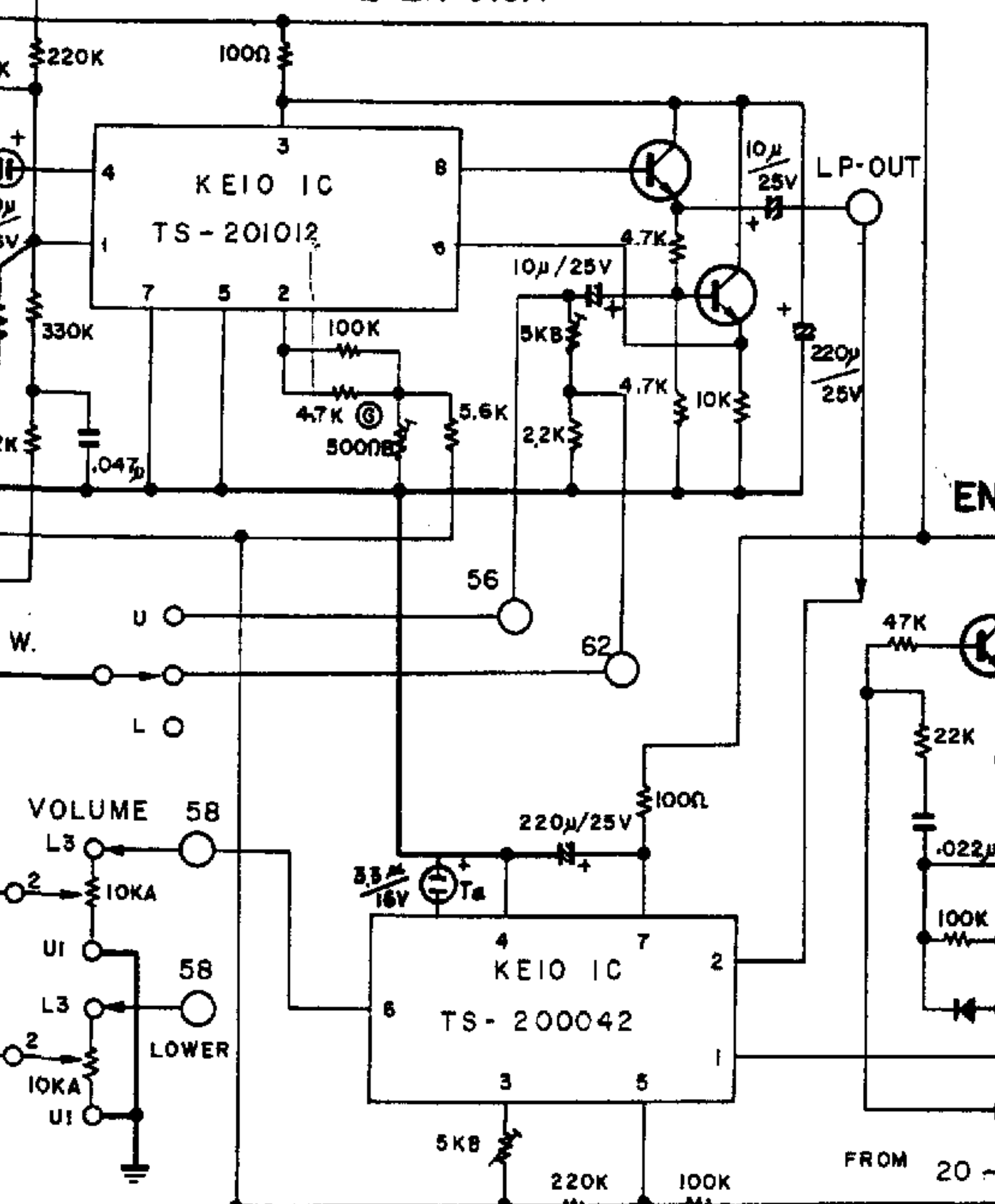
MODE C.C.T



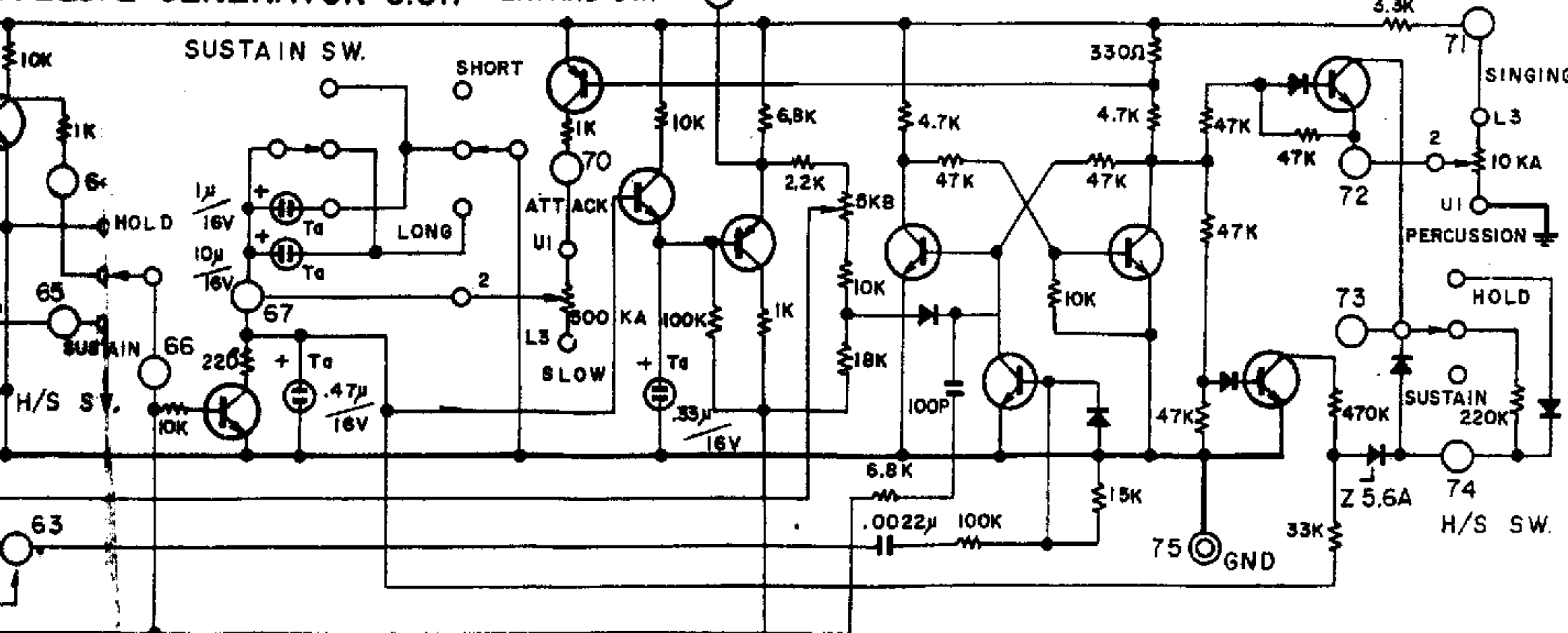
HIGH PASS FILTER C.C.T



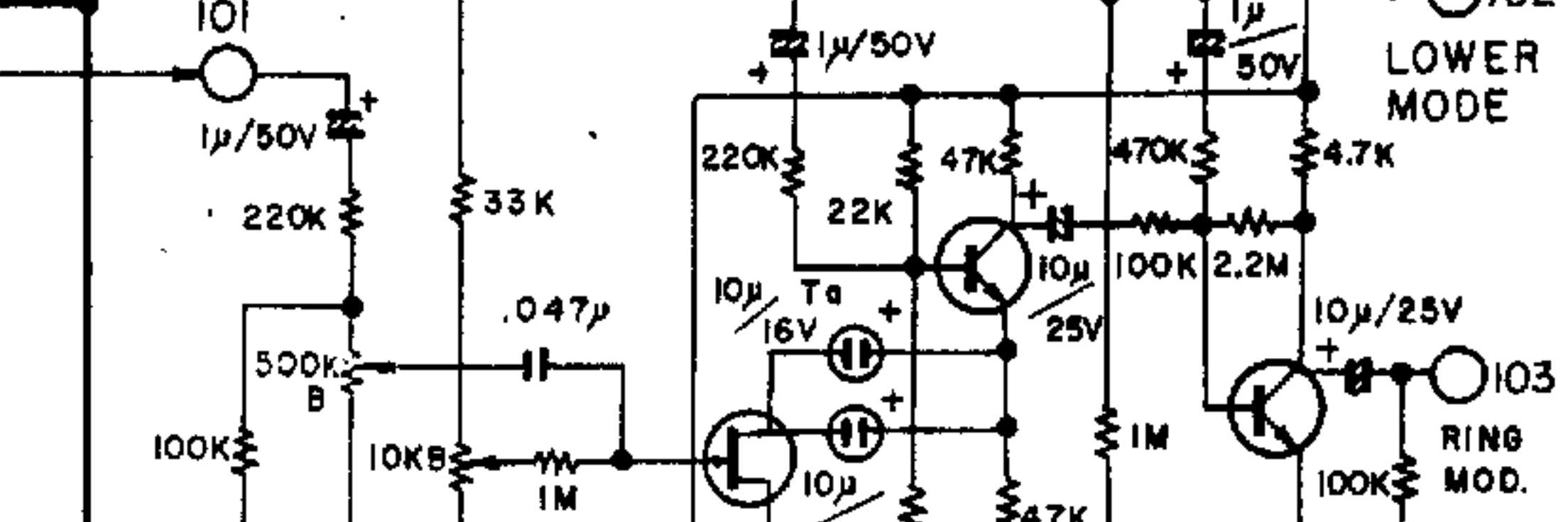
LOW PASS FILTER C.C.T



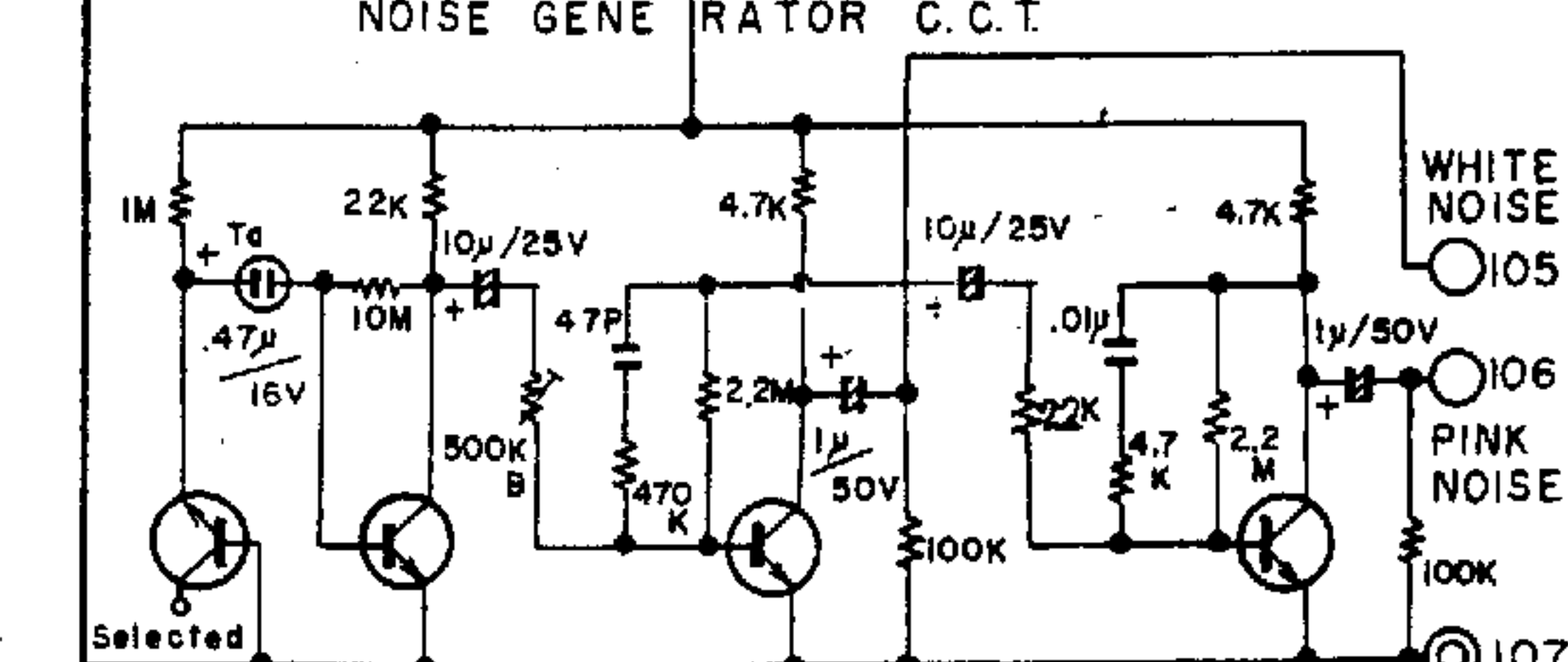
ENVELOPE GENERATOR C.C.T



RING MODULATOR C.C.T

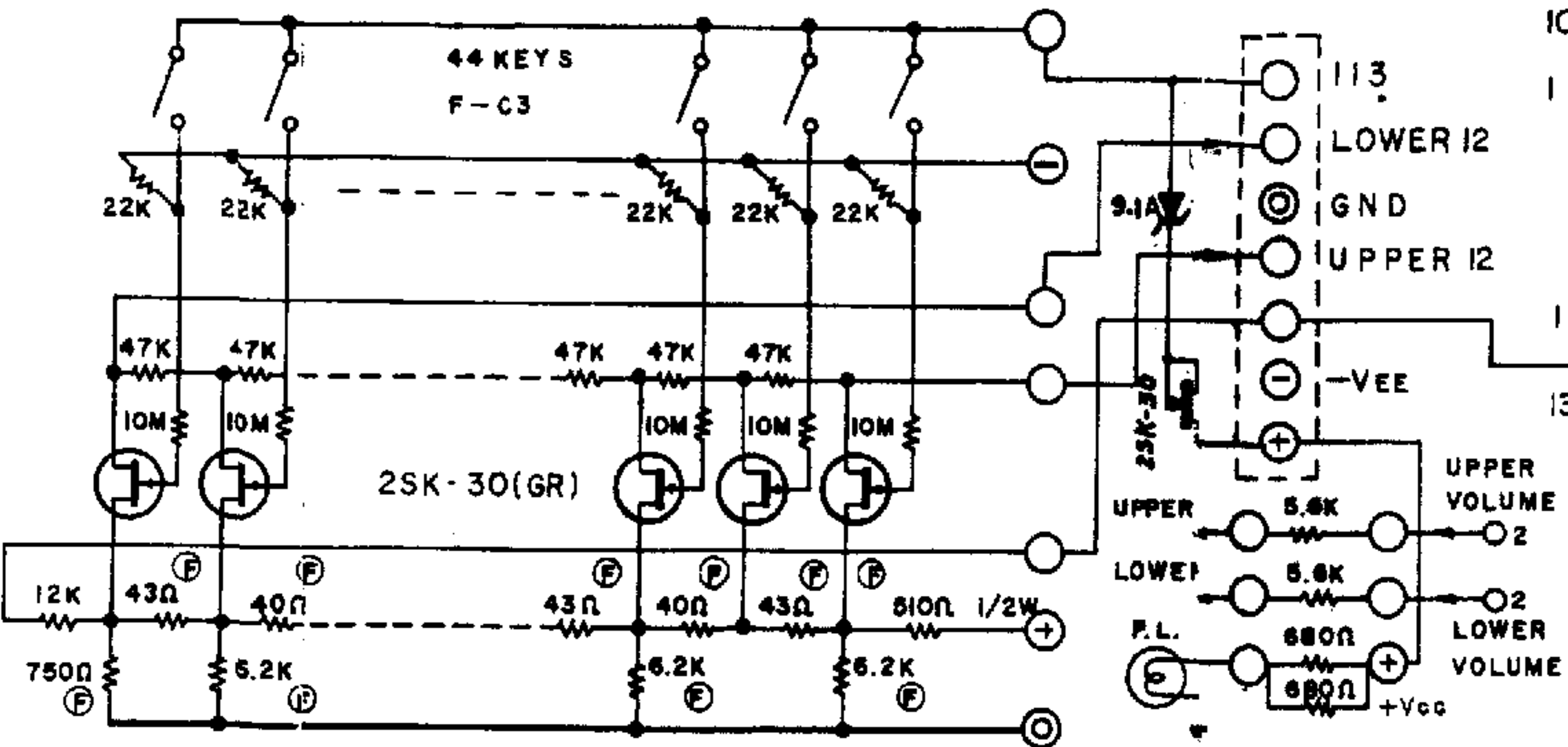


NOISE GENERATOR C.C.T

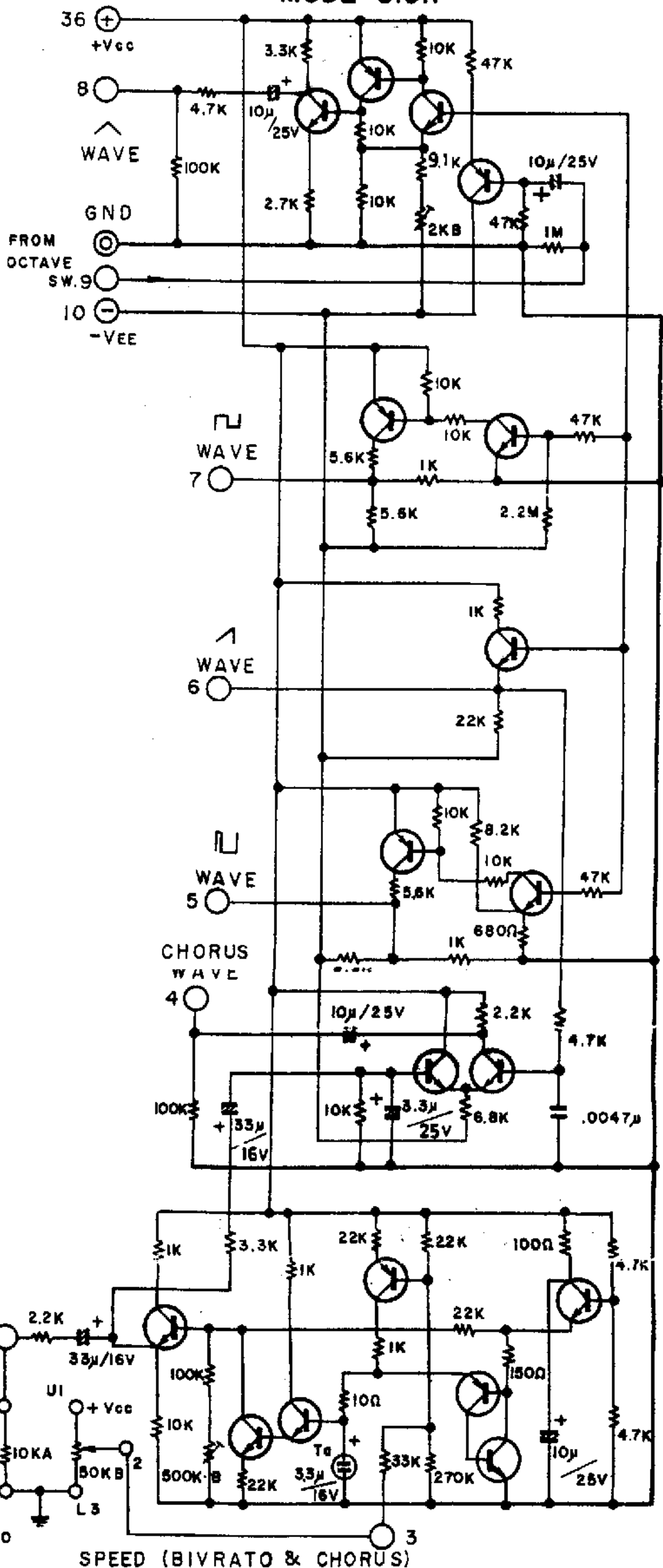


KEY BOARD C.C.T

TERMINAL C.C.T



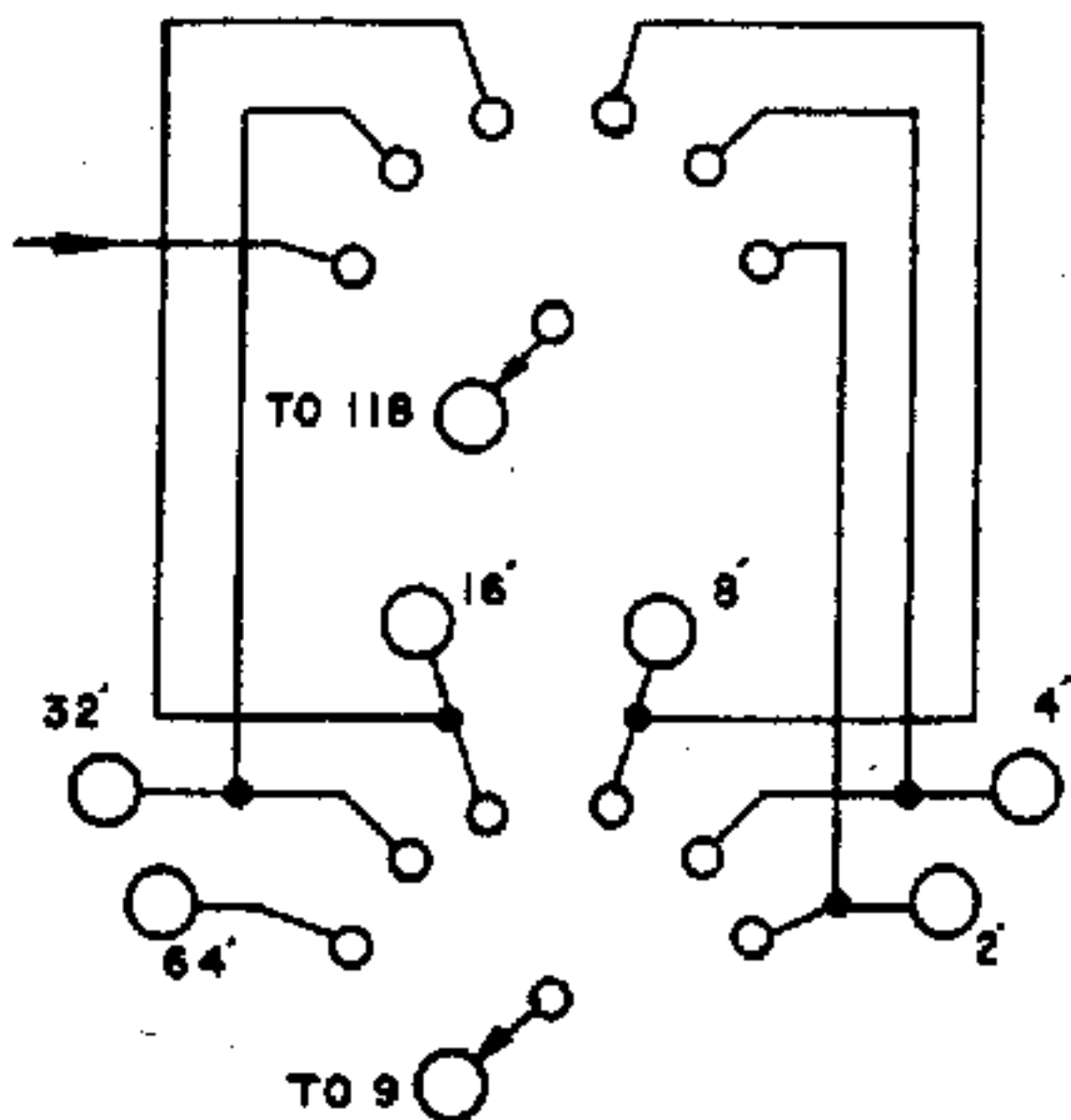
MODE C.C.T



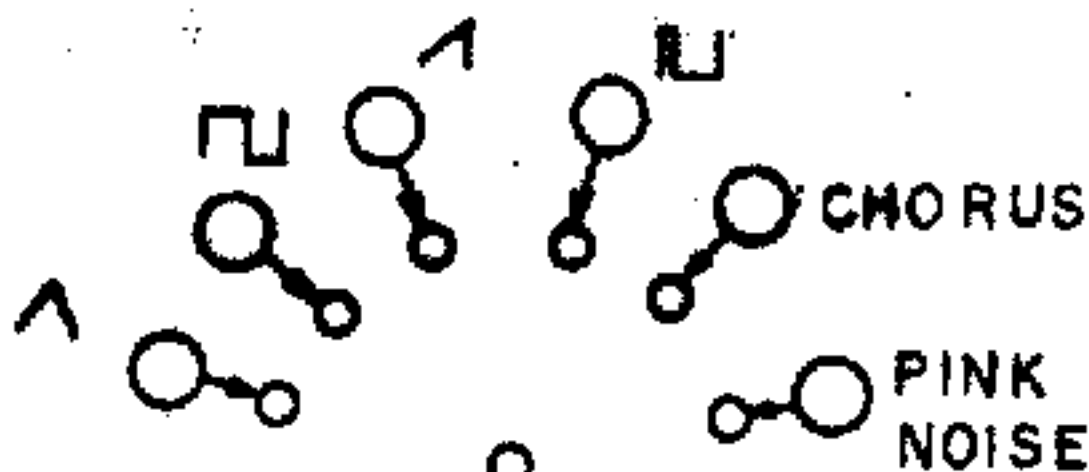
SPEED (BIVRATO & CHORUS)

OCTAVE MIXER ROTARY SW.

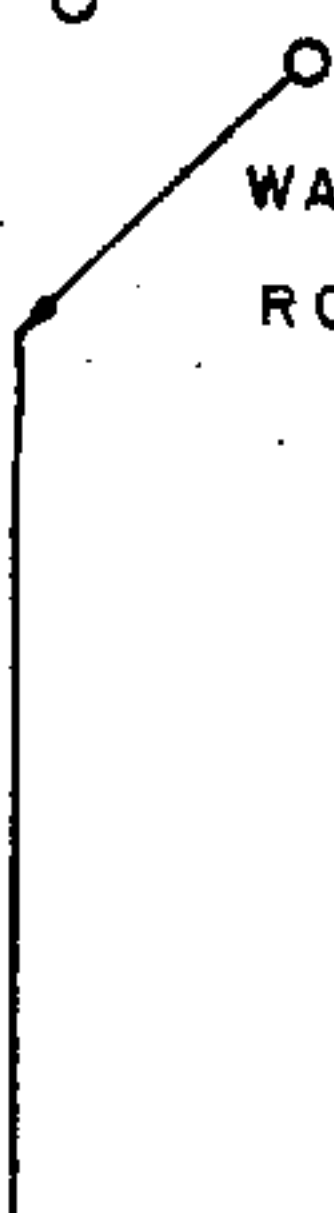
FROM 103



OCTAVE ROTARY SW.



WAVE MODE
ROTARY SW.



POWER SUPPLY C.C.T

