

# MusicParts.Com

## Technical Document Distribution

---

<b>Brand:</b>	<b>Korg</b>
<b>Model</b>	<b>SB-100 Synthe Bass</b>
<b>Product:</b>	<b>Keyboard</b>
<b>Description:</b>	<b>Schematic</b>

---

Musicparts Document Number: 46874      TechTips: No      Pages: 5      Dated: None

Hello,

Welcome to MusicParts.Com, Inc. your online resource for technical documents and service information. This PDF package may contain information, schematics, parts lists, images, engineering changes, previous versions, circuit descriptions, and many other unique features about the product you have chosen. This document was assembled from a variety of sources and is the result of our many years in the music repair business.

NOTE: Large original over-sized drawings will need to be taped together. We feel this is better than reducing them and losing the fine details.

VIEWING: This document is utilizing PAGE-ON-DEMAND downloading. This will let you navigate to any page without waiting for the entire file to download. Just click ON the thumbnails.

### **PRINTING: Very Important!**

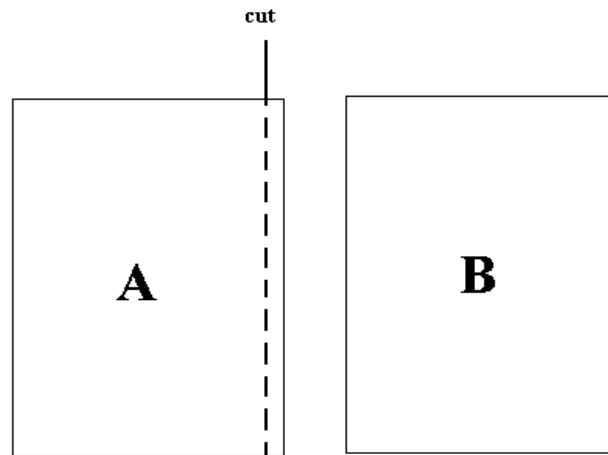
When the print dialog appears, please make sure "**REDUCE TO PAPER SIZE**" OR "**SHRINK OVERSIZED PAGES**" is checked, otherwise you may cut off the edge of the page. This will compensate for your printer's margins and produce a great looking printout. Also please stay online while printing this document to make sure you get all the pages.

Visit us on the web at: <http://www.musicparts.com/>  
Email us at: [customerservice@musicparts.com](mailto:customerservice@musicparts.com)

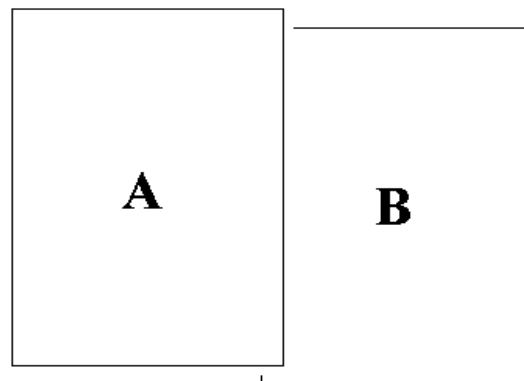
# MusicParts.Com

## Two Sheet Pasteup Guide

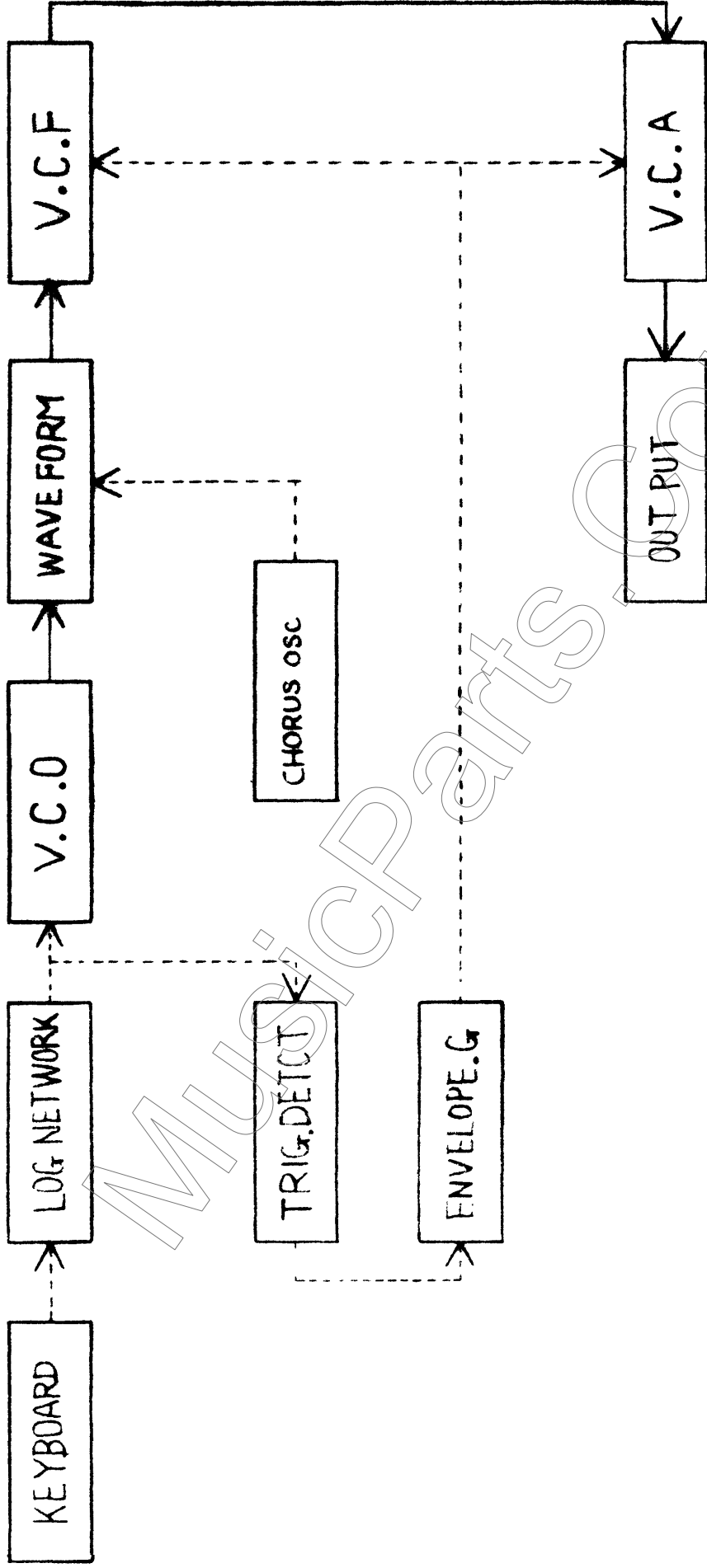
11x17" paper size



**It's ok to slightly cut into the black print, as documents contain an intentional extended overlapping printed area.**

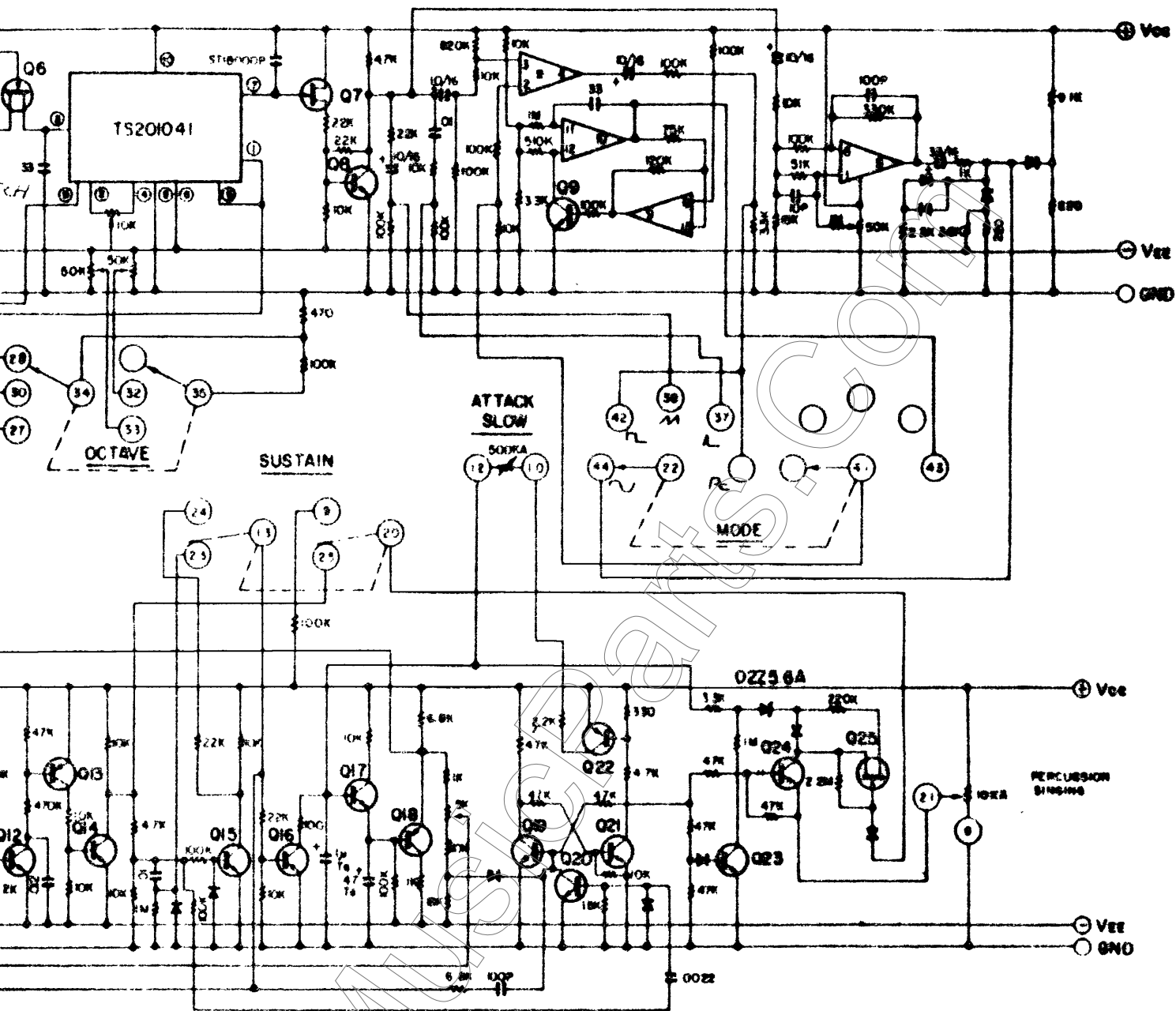


**Only one trim cut is needed, then overlay as shown and tape.**



SYNTHESIZER BASS SB100





- 1 2SA6086 ----- Q1, 3, 4, 13, 18, 22, 32
- 2 2SA720R ----- Q27
- 3 2SA699Q ----- Q31
- 4 2SC6936 ----- Q2, 5, 8 - 12, 14 - 17, 19 - 21, 23, 24, 26, 29, 30
- 5 2SC1226A(Q) --- Q20
- 6 2SK3010 ----- Q7
- 7 2SK3016R ----- Q6, 25
- 8 1S1555 ----- 44
- 9 LM3900 ----- 8



