



MINI-KORG SYNTHESIZER

SERVICE MANUAL



Unicord.

a Division of Gulf + Western Manufacturing Company
89 Frost Street, Westbury, N.Y. 11590

MINI-KORG SYNTHESIZER OPERATING PROCEDURE

1. Connect AC line cord (found inside recessed compartment on rear of unit, figure 1) to local voltage 50/60Hz outlet.
2. Connect audio cable (shielded-type) from jack marked "Output", to input of your amplifier. Utilize jack marked "H" for high impedance use (100K Ω) or jack marked "Low" for low impedance (5K Ω) shown in figure 1.

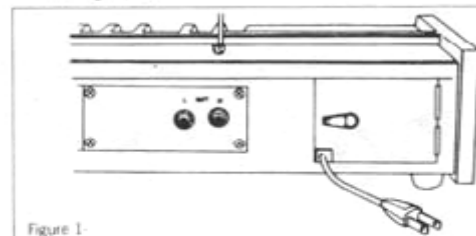


Figure 1-

3. Switch on/off control to "On" position. If pilot lamp fails to light, check fuse found in rear compartment, figure 1 and replace *With identical rating only.*
4. Install enclosed Music Rack as shown in figure 2.



Figure 2-

5. Adjust pitch-control slide for tuning figure 10.
To adjust Pitch, set Attack-Perussion slides (figure 5) to "8", and all "Instant Set Tabs" (figure 8) to OFF position.
6. Follow the control descriptions listed next for a better understanding of the versatility of your new MINI-KORG SYNTHESIZER.
7. Unit is equipped with 2 rear adjustable legs for tilting.

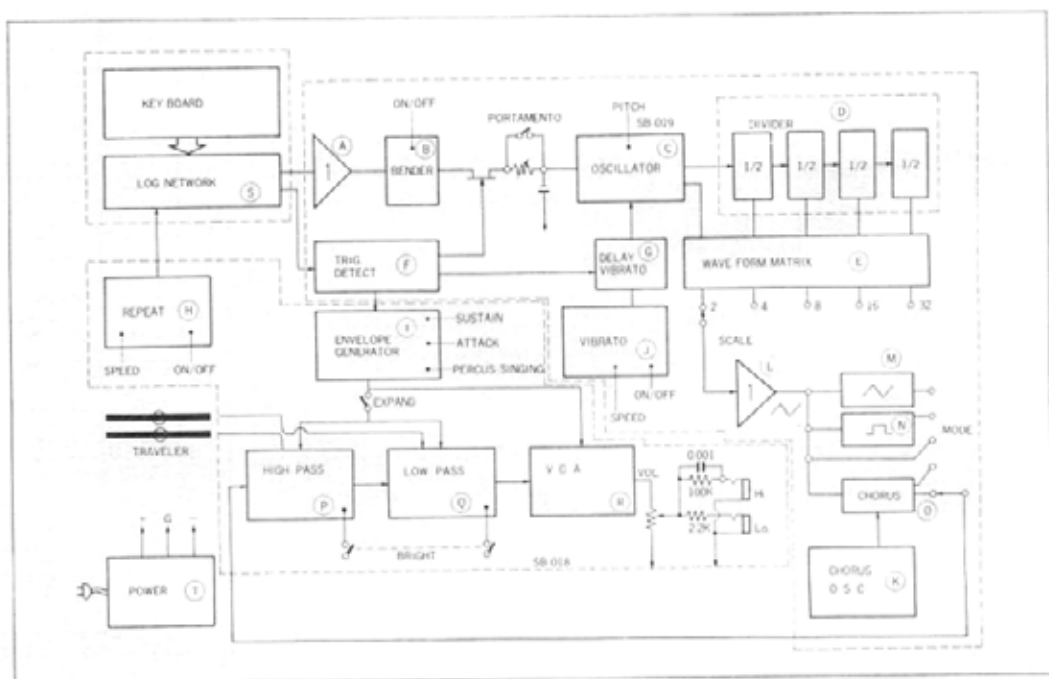
Precautions:

- Be certain that power switch is turned OFF whenever plugging in or unplugging the AC connector cord.
- If fuse should need replacing, make sure that you replace with *identical* value.
- Protect the unit from excessive heat, humidity, and vibrations.

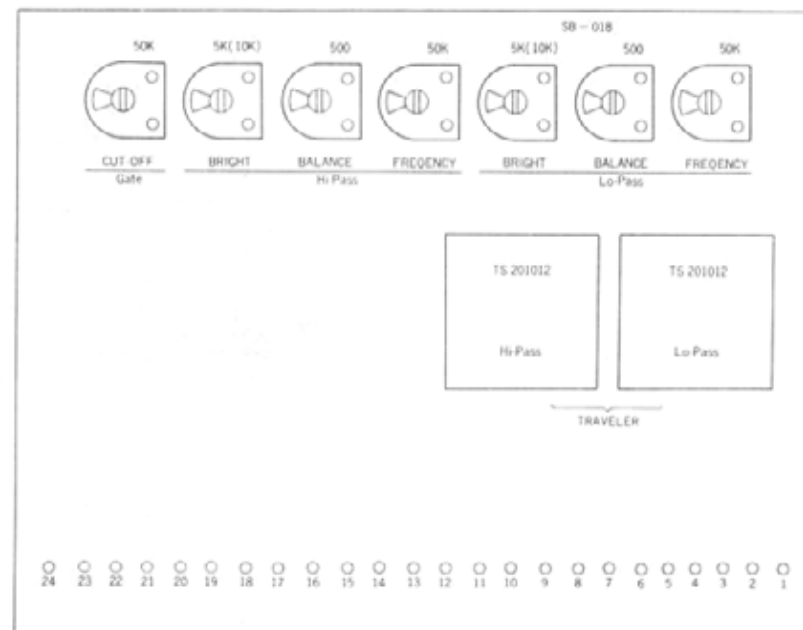
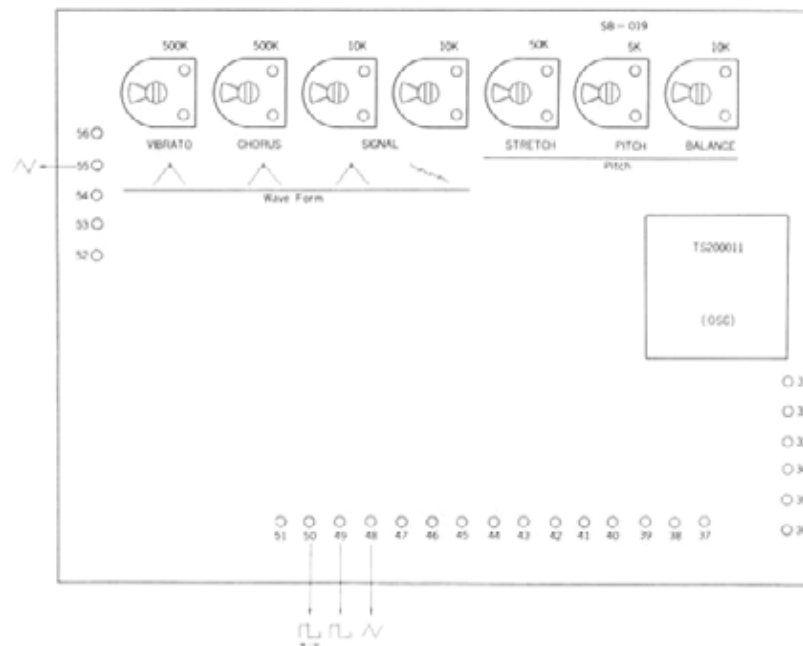
SPECIFICATIONS

- **Key board** Scale 37 keys 3 Octaves
- **Scale** 32' 16' 8' 4' 2' 7 Octaves
- **Wave form** Triangular Wave Square Wave
Sawtooth Wave Chorus I Chorus II
- **Effect Switch** Expand, Bright, Sustain, Bender, Repeat
Vibrato, Delay Vibrato, Portamento
- **Slide Control** Volume, Traveler, Attack-Slow, Percussion-Singing
Repeat, Vibrato-Speed, Vibrato-Depth
Portamento Pitch
- **Dimensions** Length: 29.3in. Width: 11.0in. Height: 4.3in.
- **Weight** 19.8lbs.
- **Accessories** Music Rack, Connection Cord
- **Power Supply** 117V 50/60Hz
- **Power Consumption** 15W
- **Others** Power Switch, Pilot Lamp, Output Jack (High 100KΩ Low 5KΩ)
- **Options** Case, Stand, Expression Pedal (2 channels)

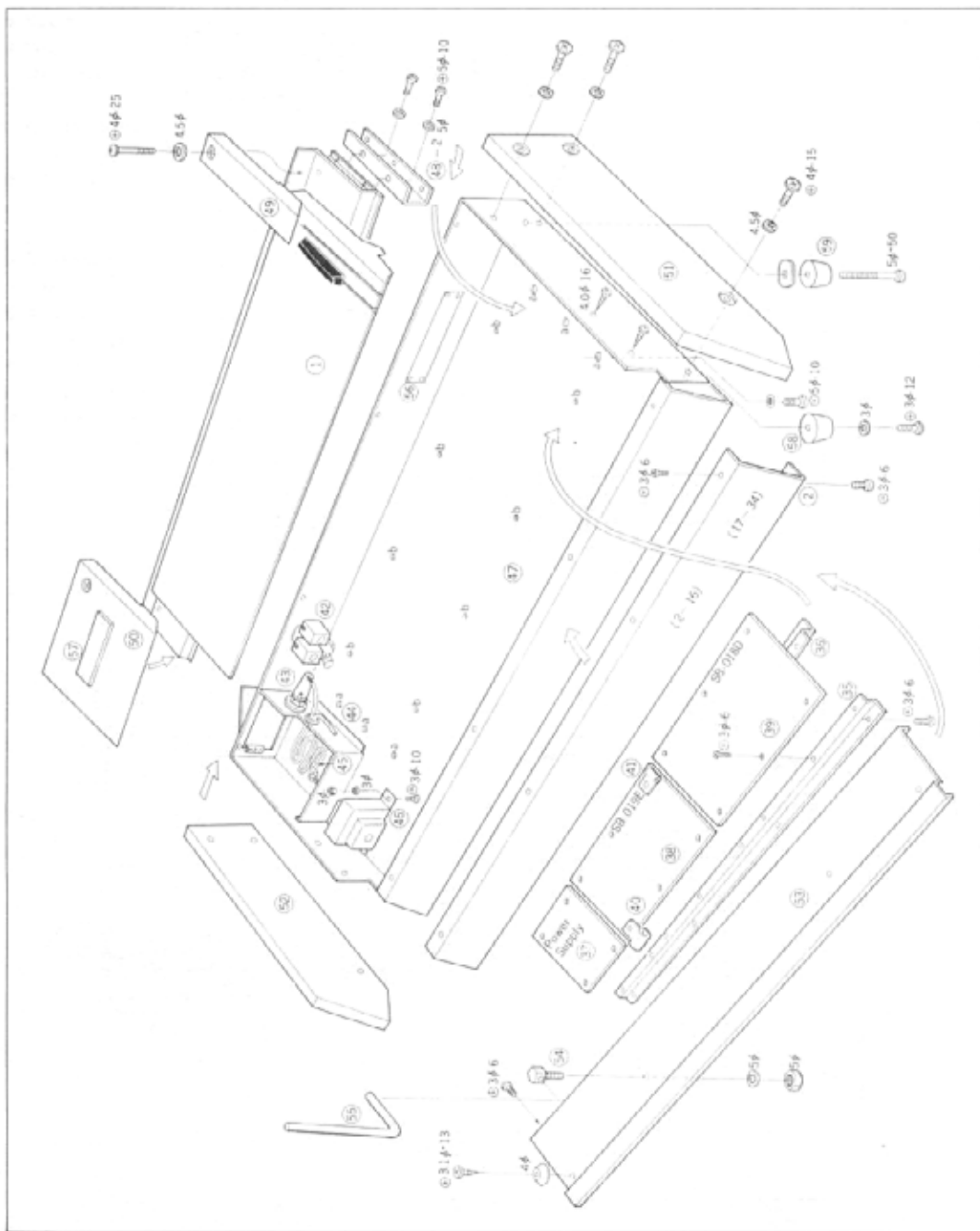
BLOCK DIAGRAM



PARTS DISTRIBUTION



MECHANICAL PARTS DIAGRAM



MINI KORG 700S ADJUSTMENT PROCEDURE

COORDINAL ADJUSTMENT

1. VOLTAGE ADJUSTMENT

SETTING: Power Source Line: Oscilloscope

- a. DC - VEE - 10V Green Line
+ VCC + 20V Orange Line

- b. Ripple Check

Make the value of oscilloscope lower than 10mV, setting at AC range.

MAIN PART

2. PITCH ADJUSTMENT

SETTING: PITCH KNOB: CENTER
SCALE: 8'
MODE: \square
OUT: WT-10A

KEYBOARD

C1		C2		C3		C4
----	--	----	--	----	--	----

- a. Press C4 and adjust with (SB-019) 5KVR to make the pitch 0 cent.
- b. Press C2 and adjust with (SB-019) 50KVR to make the pitch 0 cent.
- c. Press C1 and adjust with (SB-019) 10KVR to make the pitch 0 cent.
- d. Repeat a, b, c operations to make all pitch 0 cent.

3. TRAVELLER ADJUST

SETTING: SCALE: 32'
MODE: \wedge
BRIGHT: ON
OCT: OSCILLO

- a. LOW PASS Q ADJUSTMENT

Set Traveller H:MAX, L:MAX and the range of oscilloscope 0.1 usec, then adjust with 50KVR Frequency to make one wave cycle 1 cm.

- b. HIGH PASS Q ADJUSTMENT

Set Traveller H:6, L:6 and adjust with (SB-018) 50KHigh Pass Frequency to make the area of wave cycle largest.

- c. LOW PASS CUT OFF ADJUSTMENT
Traveller H:6, L:0. Adjust with 5K Low Pass Bright to make 5 wave cycles.
- d. HIGH PASS CUT OFF ADJUSTMENT
Traveller H:MAX L:6. Connect the oscilloscope with SB-018 HP Check, and adjust at range 0.1V 5m Sec with 5K High Pass Bright to make 4 wave cycles.

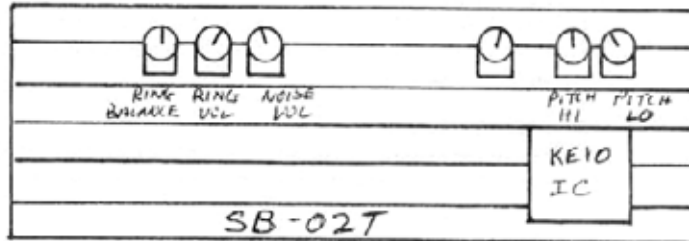
4. VCA GATE ADJUSTMENT
 SETTING SCALE: 2'
 SUSTAIN: ON
 ATTACK: 0
 SINGING: 10
 Press the key and adjust with 50K Gate Cut Off to avoid the sound to remain.

*Refer to the Parts Distribution in the service manual, regarding all the Adjustment VR.

EFFECT PART

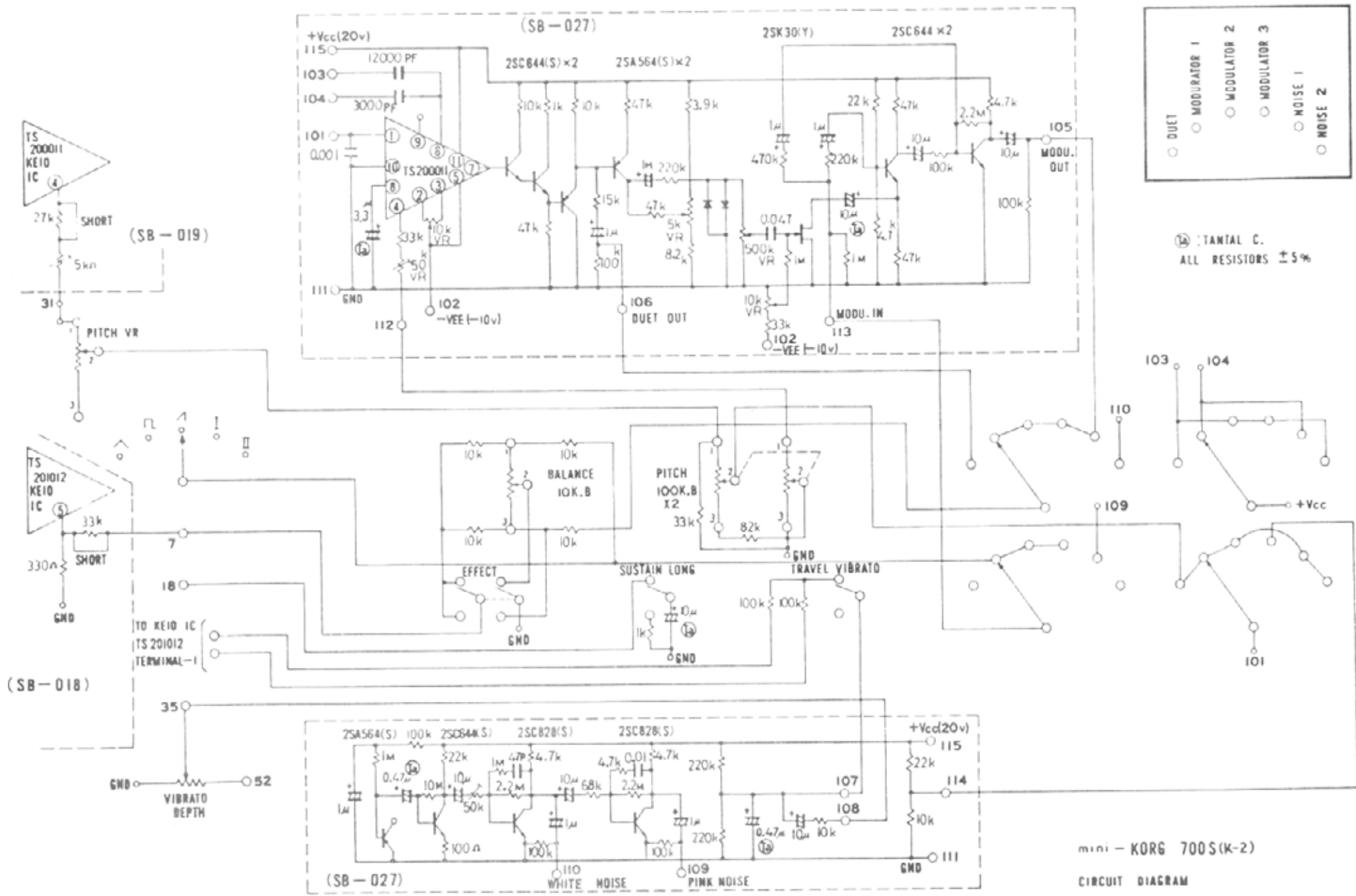
1. PITCH ADJUSTMENT
 SETTING: EFFECT: ON
 BALANCE: 0
 PITCH: 4
 SELECT: DUET
 OUT: WT-10A
- a. Press C4 and adjust with 50K Hi Pitch to make the pitch 0 cent.
 - b. Press C1 and adjust with 10K Lo Pitch to make the pitch 0 cent.
 - c. Repeat the a and b operations several times.

2. RING MODULATION ADJUSTMENT
 SELECTOR: MODULATOR 3
 Adjust with 10K Ring Balance to make every pitch out of tune.



MINI KORG 700S (K-2) PARTS LIST

Parts NO.	Description	Parts NO.	Description
Fixed Carbonfilm Resistors 1/4W 5%		Disctype Ceramic Capacitors	
120-02101	100Ω	135-16470	47PF
-02102	1KΩ	Tantalum Electrolytic Capacitors	
-02392	3.9KΩ	143-16471	16V M .47μF
-02472	4.7KΩ	-16332	16V K 3.3μF
-02822	8.2KΩ	-16103	16V M 10μF
-02103	10KΩ	Aluminum Electrolytic Capacitors	
-02153	15KΩ	140-50101	A50V 1MF
-02223	22KΩ	-25102	A25V 10MF
-02333	33KΩ	Transistors	
-02473	47KΩ	110-05003	2SA564S
-02683	68KΩ	-05001	2SC828S
-02823	82KΩ	-05002	2SC644S
-02104	100KΩ	FET	
-02224	220KΩ	110-04001	2SK-30Y(0)
-02474	470KΩ	Silicon Diode	
-02105	1MΩ	170-1004	1S-1555
Fixed Resistors 1/4W 5%		IC	
123-02225	2.2MΩ	112-01001	TS-200011
-02106	10MΩ	Printed Circuit Boards	
Semifixed Resistors		181-01004	SB-027
160-05502	B- 5KΩ	Variable Resistors	
160-05103	B- 10KΩ	251-02103	30mm B 10KΩ
-05503	B- 50KΩ	251-02104	30mm B100KΩ
-05504	B-500KΩ	Paddle Switches	
Polyester Film Capacitors 50V		221-01004	SP-2012
130-01102	.001μF	221-01005	SP-2022
130-01103	.01μF	Rotary Switches	
-01473	.047μF	223-01246	ESR-246 K20Z
Polystyrene Film Capacitors		Lugboard	
137-01202	2000PF	233-01104	1L4P
137-01802	8000PF		



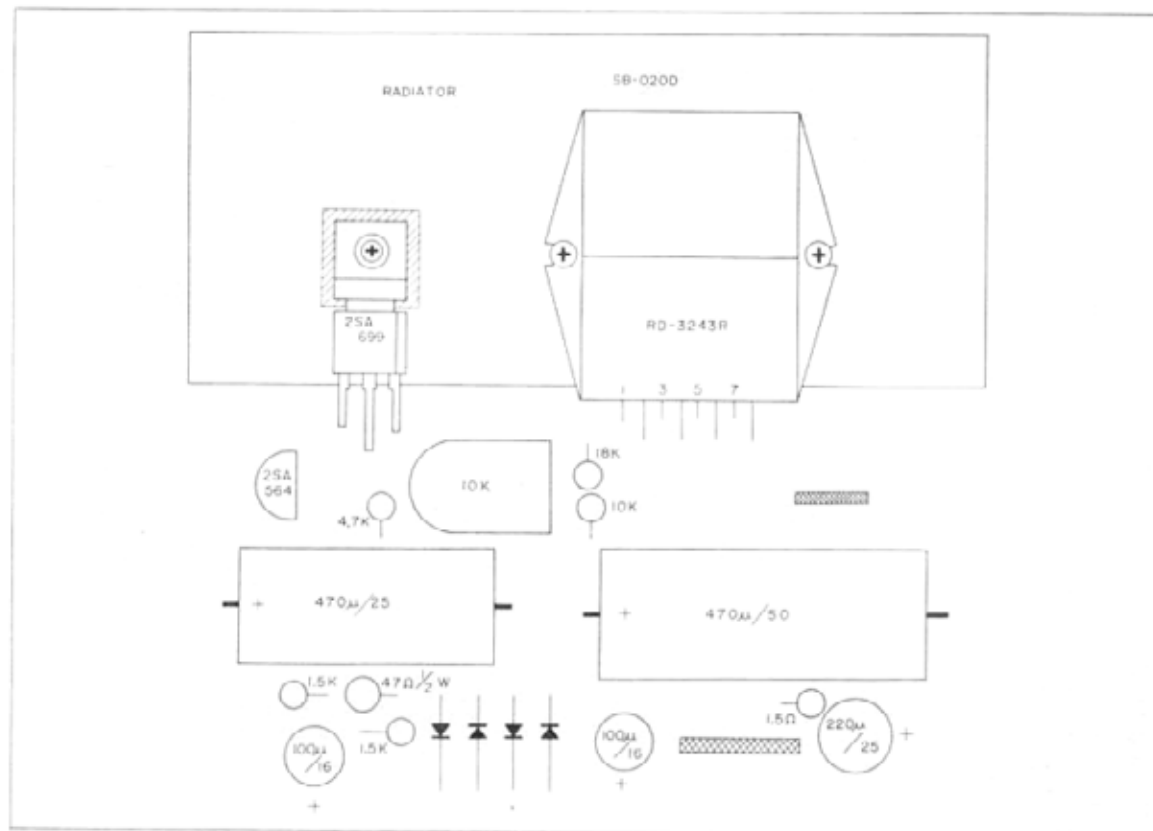
MECHANICAL PARTS LIST

Key NO.	Parts NO.	Description	Key NO.	Parts NO.	Description
1	212-01001	Key Board(17~25)	36	241-01003	Circuit Board Bar
2	321-01001	Front Panel	37	181-01003	Power Supply Board
3	331-05002	Volume Knob	38	181-01002	SB-019 Printed Circuit Board
4	331-05003	Traveler Knob	39	181-01001	SB-018 Printed Circuit Board
5	331-05004	Attack Knob	40	412-04002	Cord Clamp L
6	332-01001	Scale Knob	41	412-04001	Cord Clamp S
7	332-01002	Mode Knob	42	240-01001	Headphone Jack
8	331-05005	Expand. Bright Knob	43	230-01002	Fuse Holder
9	331-05006	Sustain Knob	44	412-02001	Strain Relief Bushing
10	331-05007	Bender Knob	45	410-01001	Power Supply Cords
11	331-05008	Repeat Knob	46	190-03001	Power Transformer
12	331-05009	Portamento Knob	47	241-01001	Frame
13	331-05010	Vibrato Speed Knob	48	241-01004	Key Board Rack
14	331-05010	Portamento Knob	49	311-01001	End Cover Panel (R)
15	370-01001	Lamp Holder	50	311-01002	End Cover Panel (L)
16	221-01002	Power Switch	51	311-01003	Side Board (R)
26	251-01502	Slide VR 5KA (30mm)	52	311-01004	Side Board (L)
27	251-02502	Slide VR 5KB (30mm)	53	241-01005	Top Board
28	251-01103	Slide VR 10KA (30mm)	54	351-01001	Music Rack Screw
29	251-02103	Slide VR 10KB (30mm)	55	351-01002	Music Rack
30	251-01504	Slide VR 500KA (30mm)	56	321-01002	Name Plate
31	252-02103	Slide VR 10KB (60mm)	57	321-01003	Mark MINI KORG
32	223-01245	Rotary Switches 2, 4, 5	58	380-01001	Rubber Foot (Front)
33	224-01001	Lever Switches 18LS	59	380-01002	Rubber Foot (Rear)
34	370-01001	Pilot Lamp	60	232-01001	Pin Housing
35	241-01002	Circuit Board Bar	61	232-01002	Socket Housing

SB-018 PARTS LIST

Key NO.	Parts NO.	Description	Key NO.	Parts NO.	Description
Fixed Carbonfilm Resistors 1/4 W 5%			Polyester Film Capacitors 10%		
	120-02100	Rh 10Ω		130-01102	50V .001μF
	-02101	100Ω		01222	.0022
	02221	220Ω		01103	.01
	331	330Ω		01473	.047
	102	1KΩ	Tantalum Electrolytic Capacitors		
	122	1.2KΩ		142-35470	20% 35V-47μ
	222	2.2K		142-16102	20% 16V-10μ
	332	3.3KΩ		143-35101	10% 35V-1μ
	392	3.9KΩ		143-25331	10% 25V-3.3μ
	472	4.7KΩ	Aluminum Electrolytic Capacitors		
	562	5.6KΩ		140-25331	A 25V-3.3μ
	103	10KΩ		-25102	25V-10μ
	153	15KΩ		16332	16V-33μ
	223	22KΩ		-16103	16V-100μ
	333	33KΩ		25103	25V-100μ
	473	47KΩ		-25223	25V-220μ
	104	100KΩ	Transistors		
	224	220KΩ		110-05003	2SA56A (S-T)
	334	330KΩ		05002	2SC64A (S-T)
	474	470KΩ		-05001	2SC828 (S-T)
	105	1MΩ	IC		
	2%			112-01002	TS201012
	120-03472	4.7KΩ	FET		
	Fixed Resistors			110-04001	2SK-30Y
	123-02225	5% 2.2MΩ	Diodes		
	Semifixed Resistors			170-01004	1S1555
	160-05501	500Ω		170-01004	1S1555 (4P)
	-05502	5KΩ		01005	1N-60
	-05503	50KΩ	Zener Diodes		
	Disc Type Ceramic Capacitors			170-03001	02Z 5.6A
	135-01101	50V 100PF		170-03002	02Z 9.1A

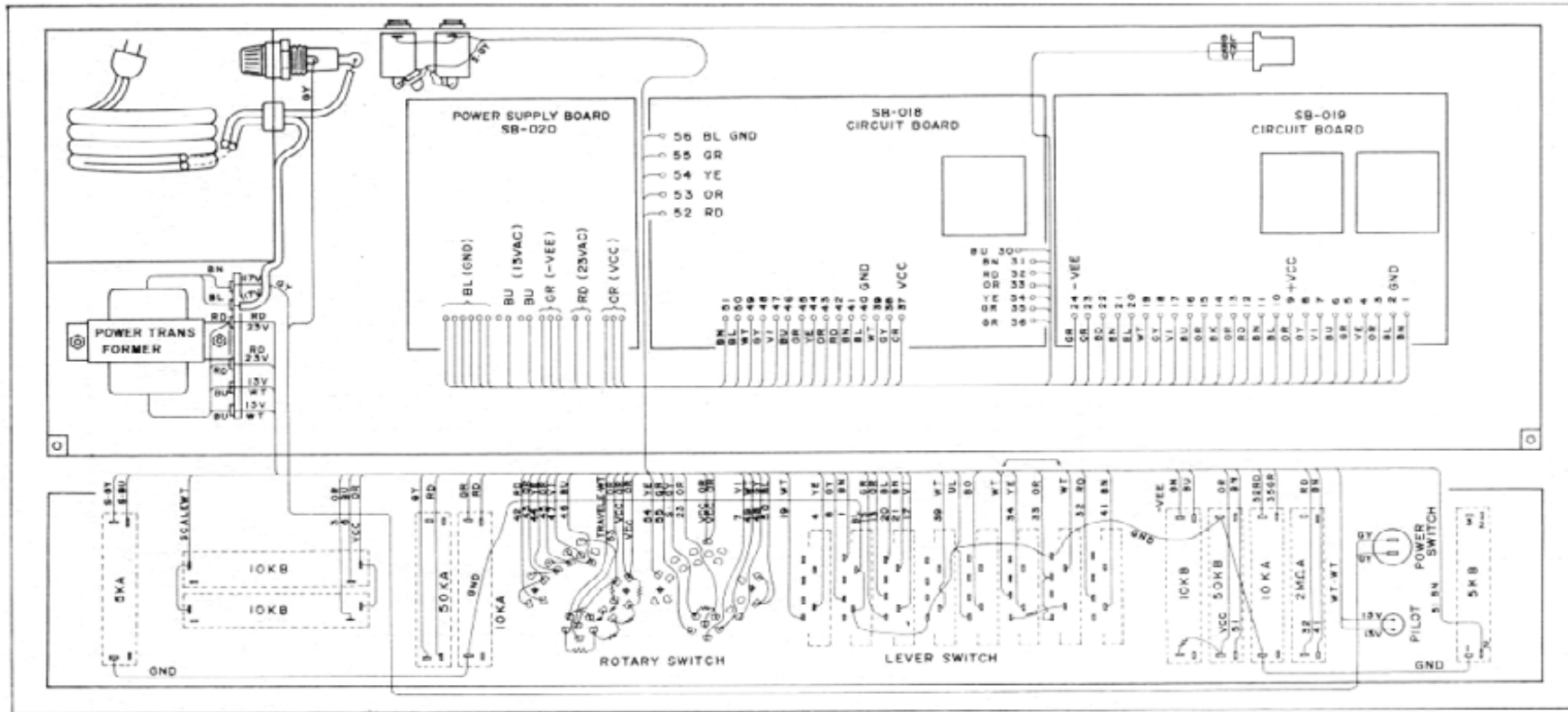
SB-020 CIRCUIT BOARD



NOTE

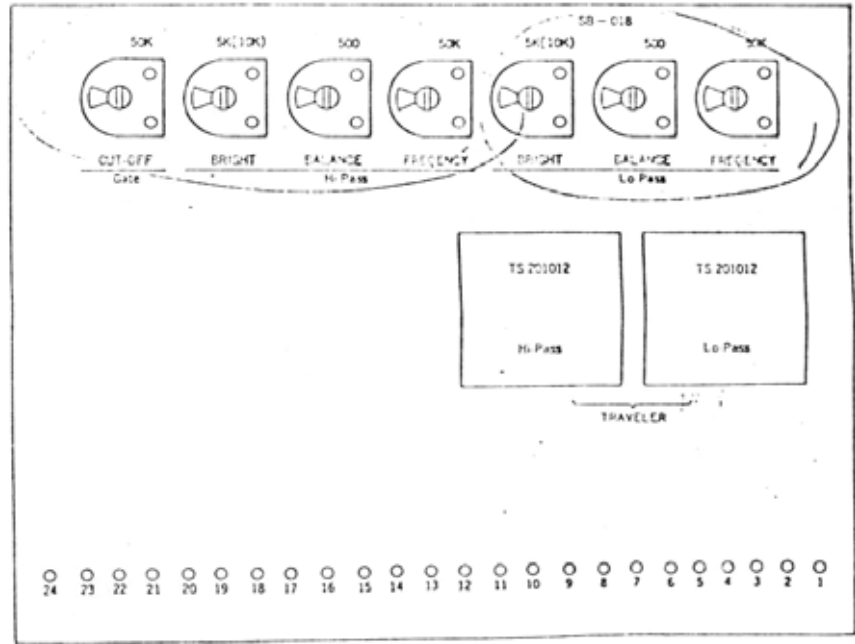
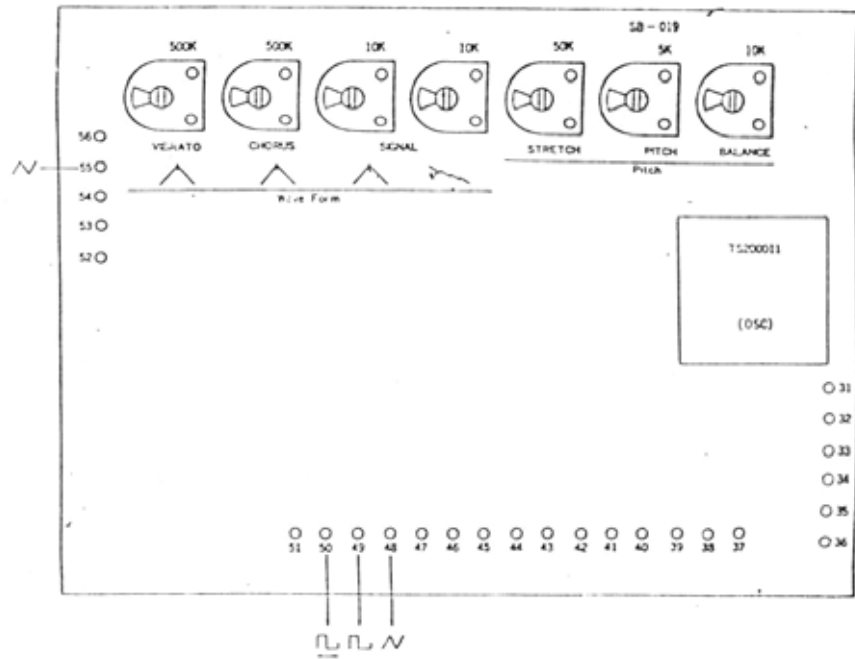
- A IC
- B BENDER
- C OSCILLATOR
- D DIVIDER
- E WAVE FORM MATRIX
- F TRIG. DETECT
- G DILAY VIBRATO
- J VIBRATO
- L MODE
- M MODE
- N MODE
- O CHORUS
- K CHORUS OSC
- H REPEAT
- I ENVELOPE GENERATOR
- P HIGH PASS
- Q LOW PASS
- R VCA

OVERALL WIRING DIAGRAM



- NOTE
- BN- BROWN
 - RD- RED
 - OR- ORANGE
 - YE- YELLOW
 - GR- GREEN
 - BU- BLUE
 - VI- VIOLET
 - GY- GRAY
 - WT- WHITE
 - BL- BLACK

PARTS DISTRIBUTION



OVER-ALL CIRCUIT DIAGRAM

