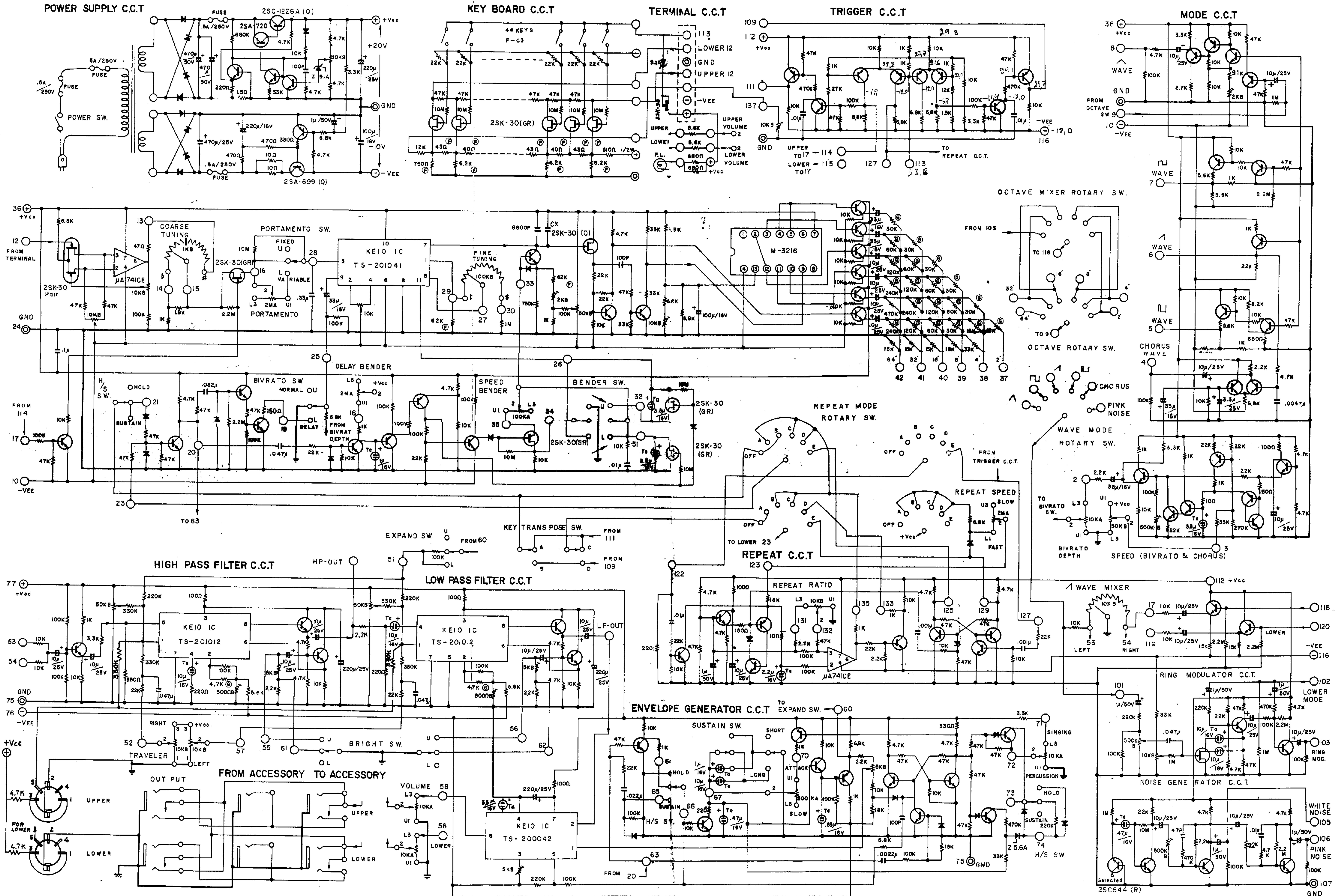


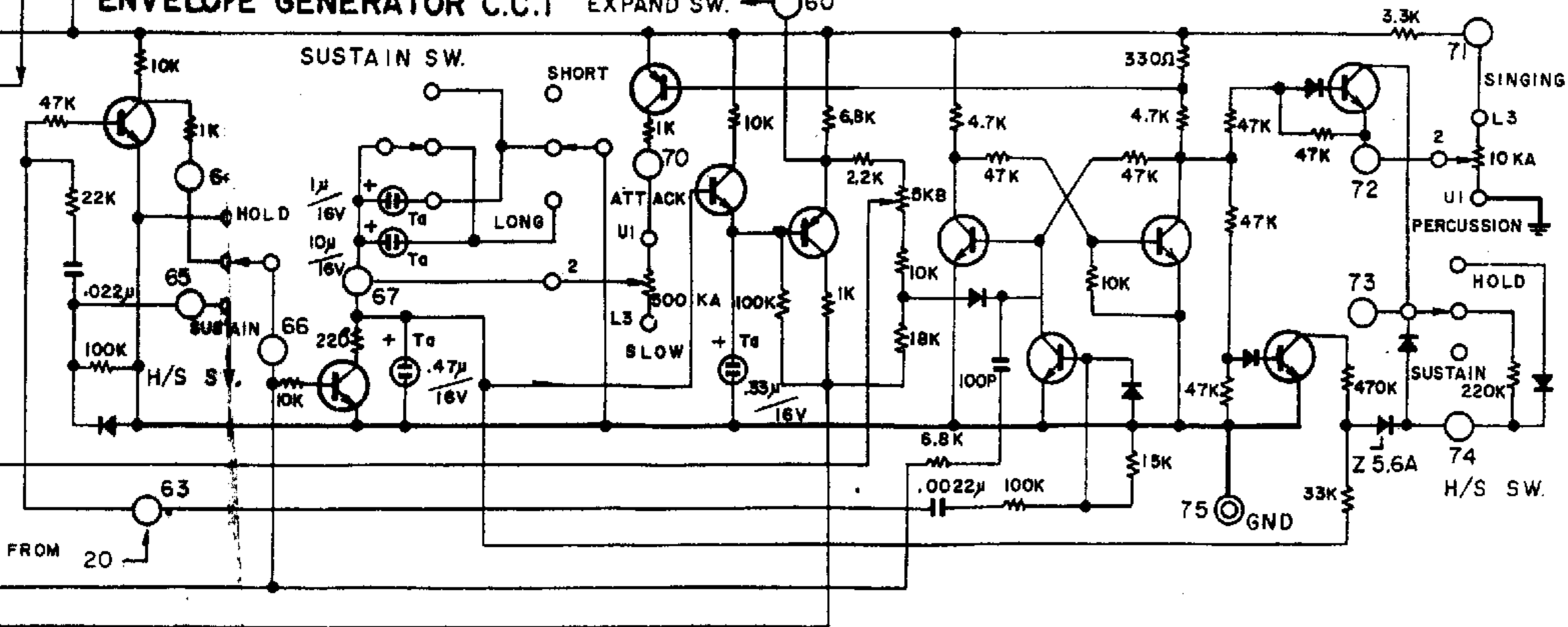
OVER ALL CIRCUIT DIAGRAM KORG 800 DV





# ENVELOPE GENERATOR C.C.T

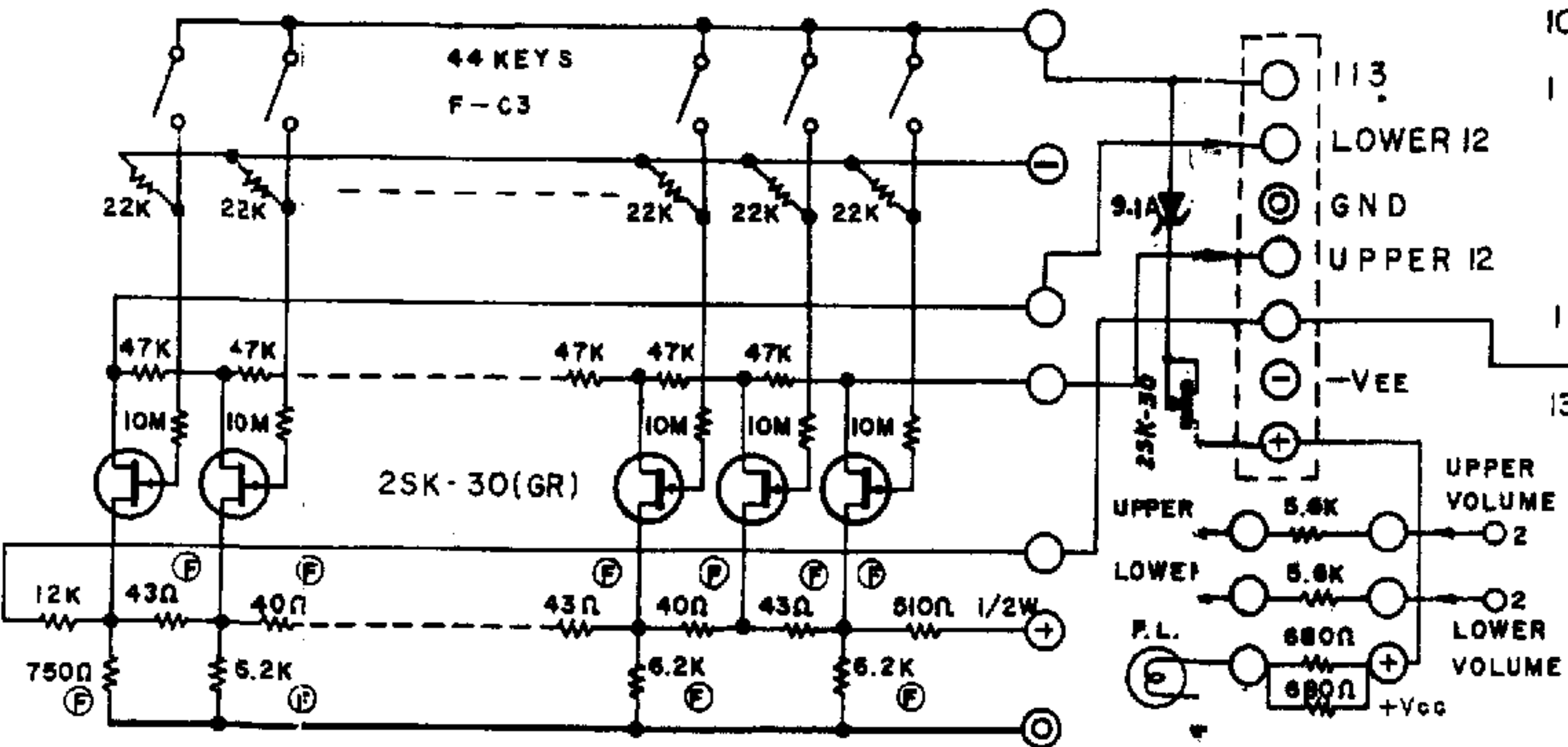
TO EXPAND SW. ← 60

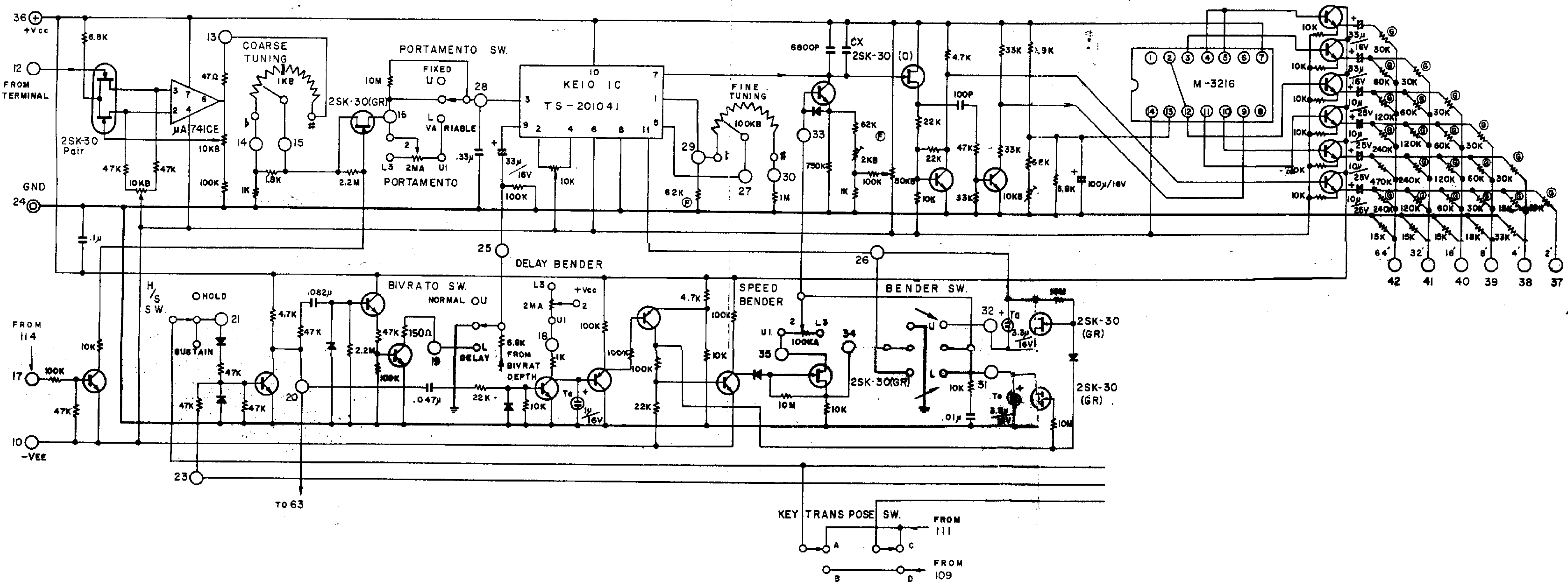




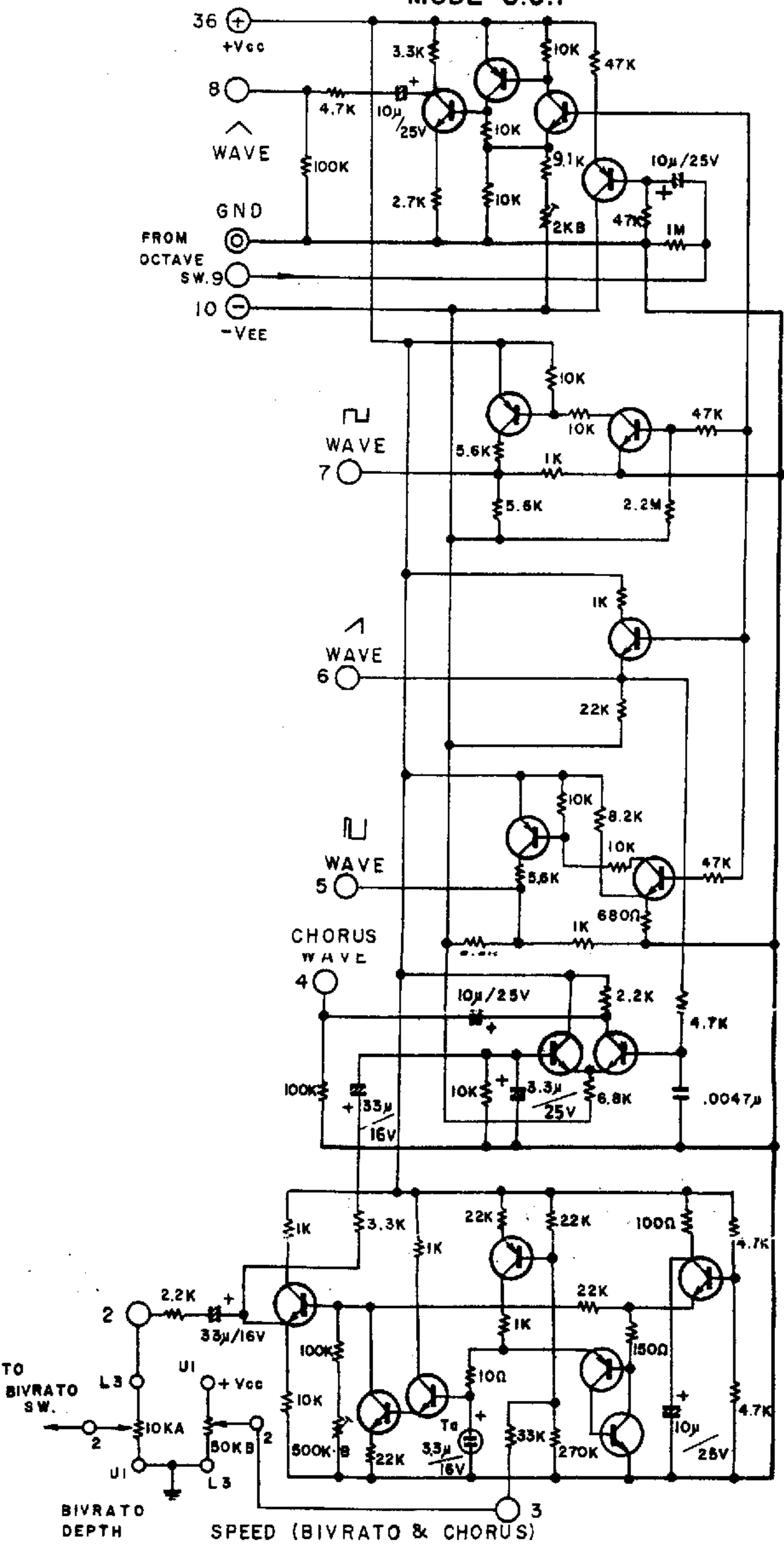
# KEY BOARD C.C.T

# TERMINAL C.C.T



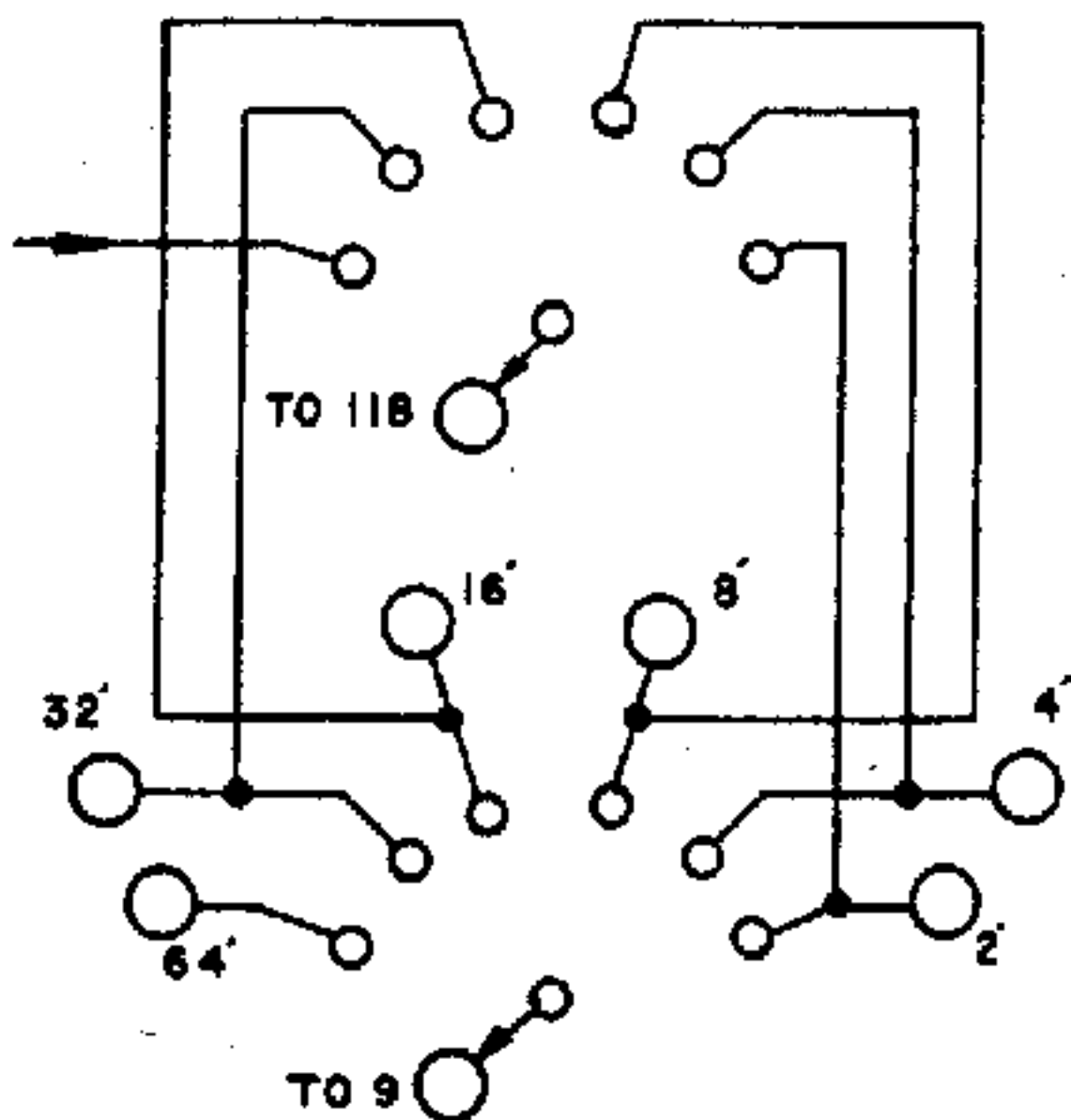


# MODE C.C.T

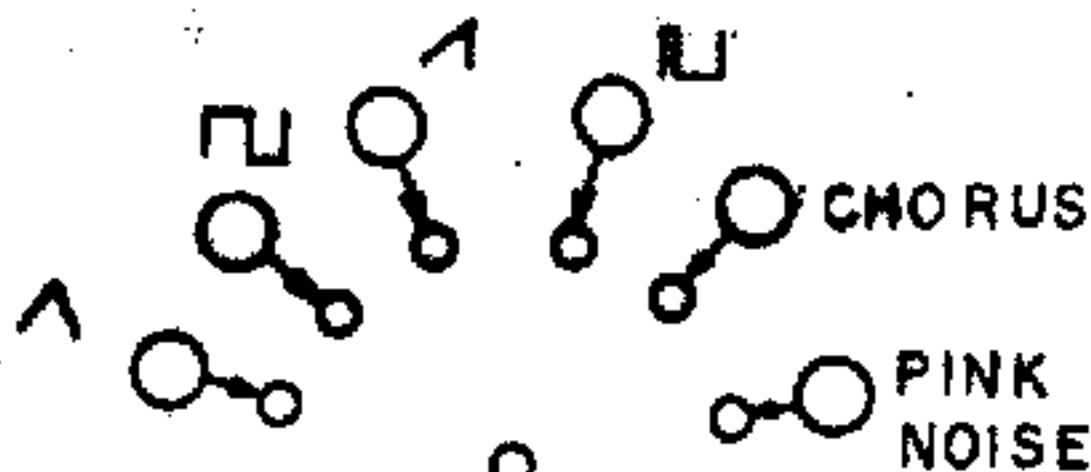


OCTAVE MIXER ROTARY SW.

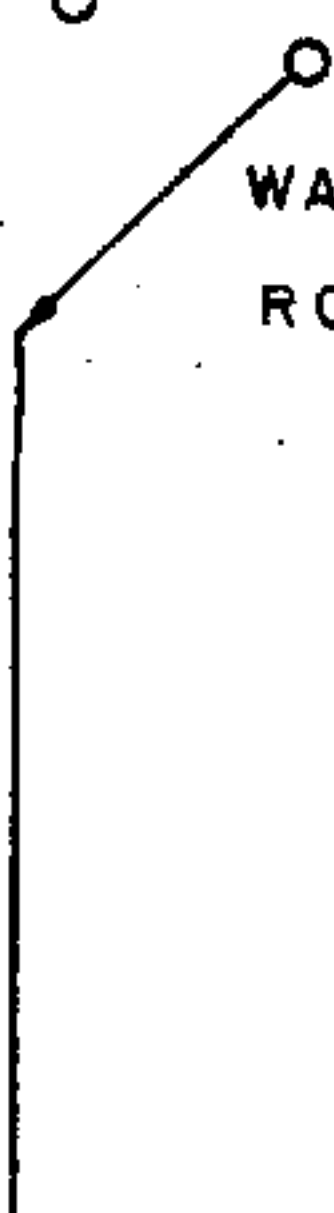
FROM 103



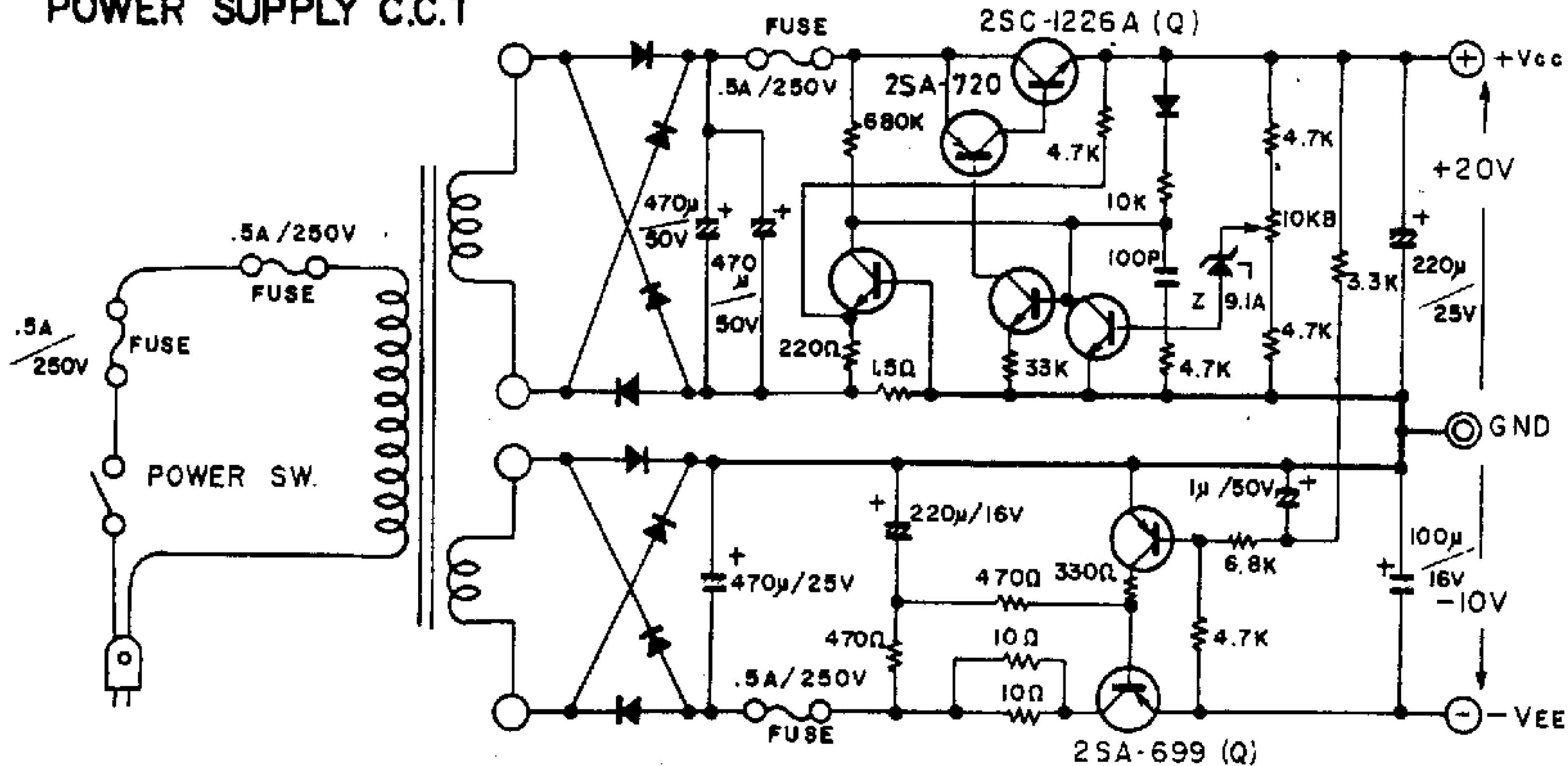
OCTAVE ROTARY SW.



WAVE MODE  
ROTARY SW.

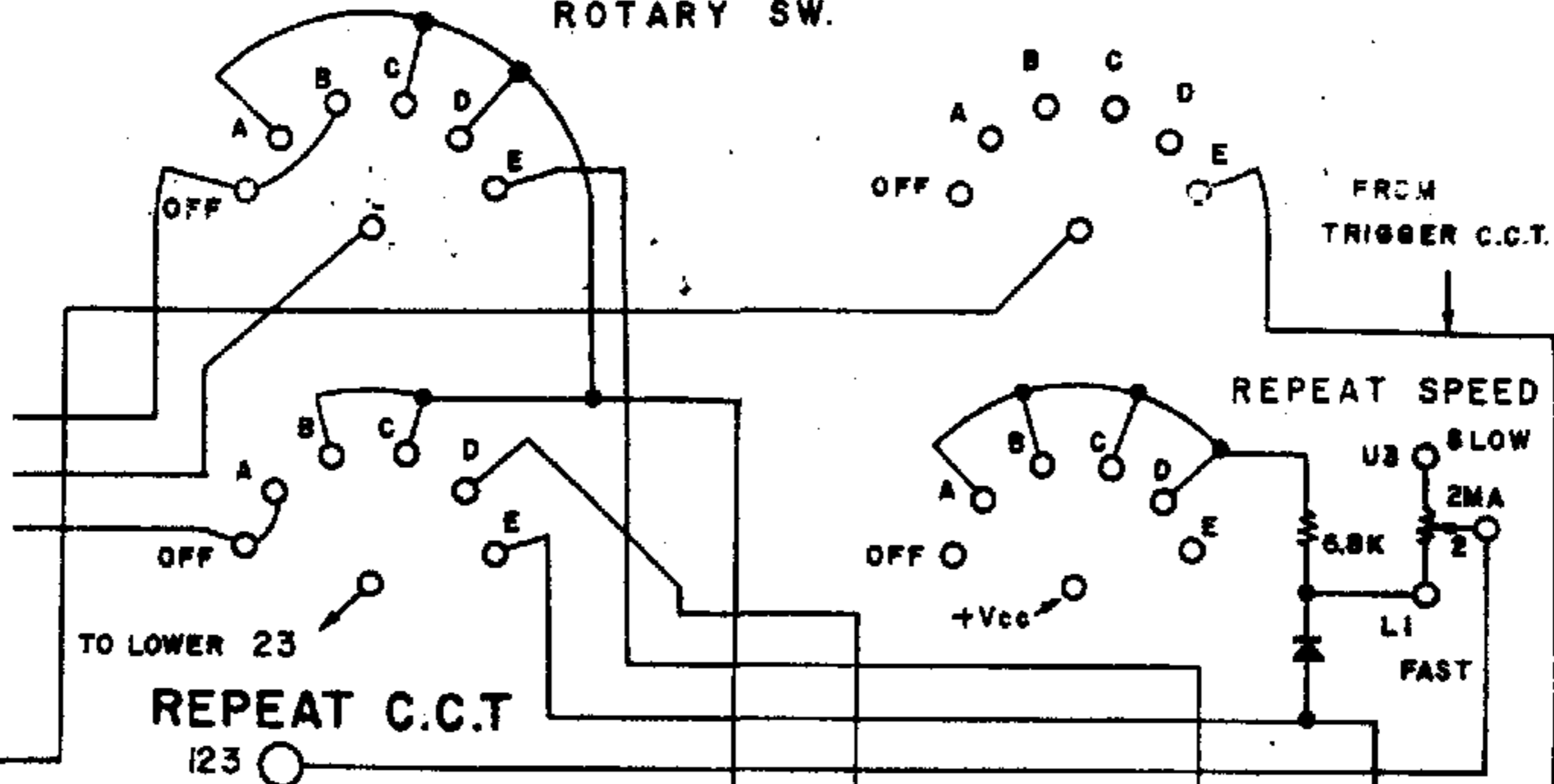


# POWER SUPPLY C.C.T



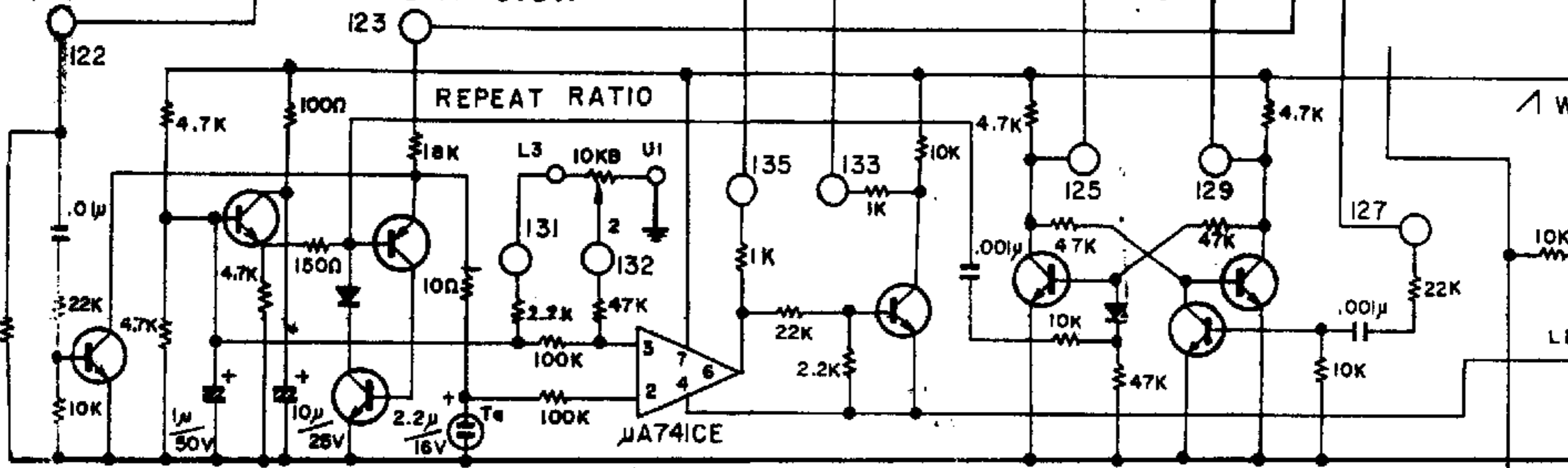


REPEAT MODE  
ROTARY SW.



REPEAT C.C.T.

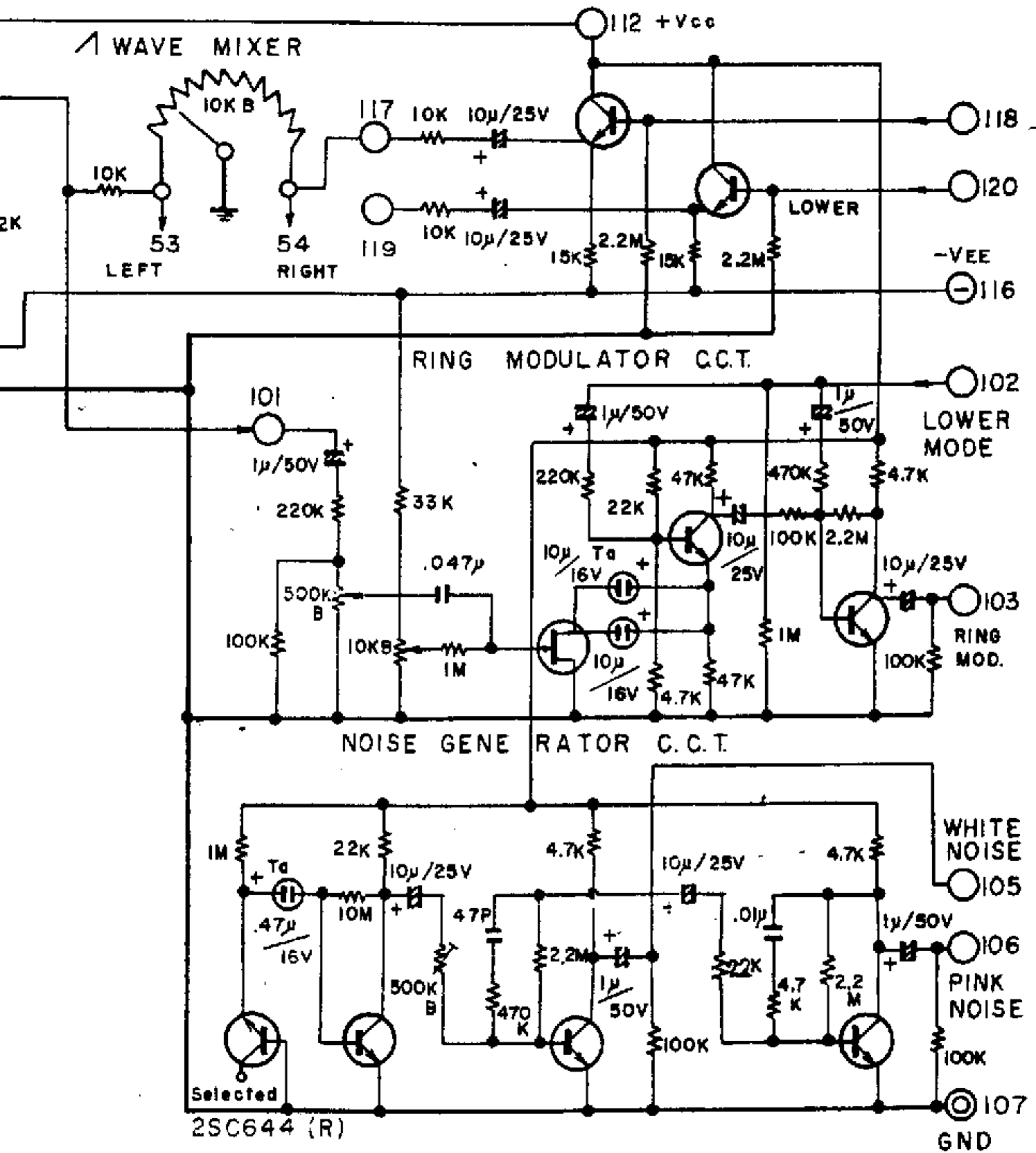
REPEAT RATIO



741CE

W

LE



# TRIGGER C.C.T

