

# **YAMAHA ELECTRIC GRAND PARTS LIST**

**CP-70  
CP-70B  
CP-80**



## Notes

Old Part No.	New Part No.	Description	CP-70	CP-70B	CP-80
30 03 00 13 00 01 80	BX 50 00 30	Top Hinge ロ ン グ ヒ ン ジ			●
30 03 00 10 00 07 00	BX 50 00 40	Damper Rod ダ ン パ ー ロ ッ ド			●
30 03 00 67 00 01 60	CX 50 00 20	Latch Cover(1) ク ラ ン プ カ バ ー (1)	●	●	●
30 03 00 67 00 01 70	CX 50 00 30	" (2) " (2)	●	●	●
30 05 00 30 00 27 20	CX 50 00 40	Black Key Top 黒 鍵	●	●	●
30 03 70 95 08 02 10	DX 50 00 90	Top Lid(Front) 屋 根 (前)	●	●	
30 03 80 00 08 02 10	DX 50 01 00	" ( " ) "			●
30 03 70 95 08 02 20	DX 50 01 10	" (Back) 屋 根 (後)	●	●	
30 03 80 00 08 02 20	DX 50 01 20	" ( " ) "			●
30 03 70 95 08 39 20	DX 50 01 30	Harp Section Cover Assy 上 ケ ー ス 蓋 A s s y	●	●	
30 03 80 00 08 39 20	DX 50 01 40	" "			●
30 03 70 95 08 39 30	DX 50 01 50	Keyboard Section Cover Assy 下 ケ ー ス 蓋 A s s y	●	●	
30 03 80 00 08 39 30	DX 50 01 60	" "			●
30 03 70 95 08 17 10	DX 50 01 70	Upstop Rail 鍵 盤 押 え	●	●	
30 03 80 00 08 17 10	DX 50 01 80	" "			●
30 03 80 00 08 15 00	DX 50 01 90	Keyslip 口 棒			●
30 03 71 00 08 54 60	NX 50 28 90	Bass String(Set) 巻 線		●	
30 03 80 00 08 54 60	NX 50 29 00	" (Set) "			●

Since the left side parts numbers in the above description have been revised to the right side new ones, please order them with new numbers.

上記リストの部品はパーツNo.を変更しました。今後は新No.でオーダー下さい。



# PARTS LIST

## CONTENTS

1. Electronic Components (電気部品) .....	1
2. Harp Section (上本体) .....	3
3. Front Panel (前板) .....	5
4. Side Panel (左右パネル) .....	7
5. Keyboard Section (下本体) .....	9
6. Cover (蓋) .....	11
7. Pedal, Leg (ペダル, 脚) .....	13
8. Pedal Lever, Rod (ペダルレバー, ロッド) .....	15
9. Damper Assy (ダンパー Assy) .....	17
10. Hammer Assy, Whippen Assy (ハンマー, サポート Assy) .....	21
11. Key Assy (鍵盤 Assy) .....	23
12. Frame Section (フレーム部品) .....	27

# 1. Electronic Components (電気部品)

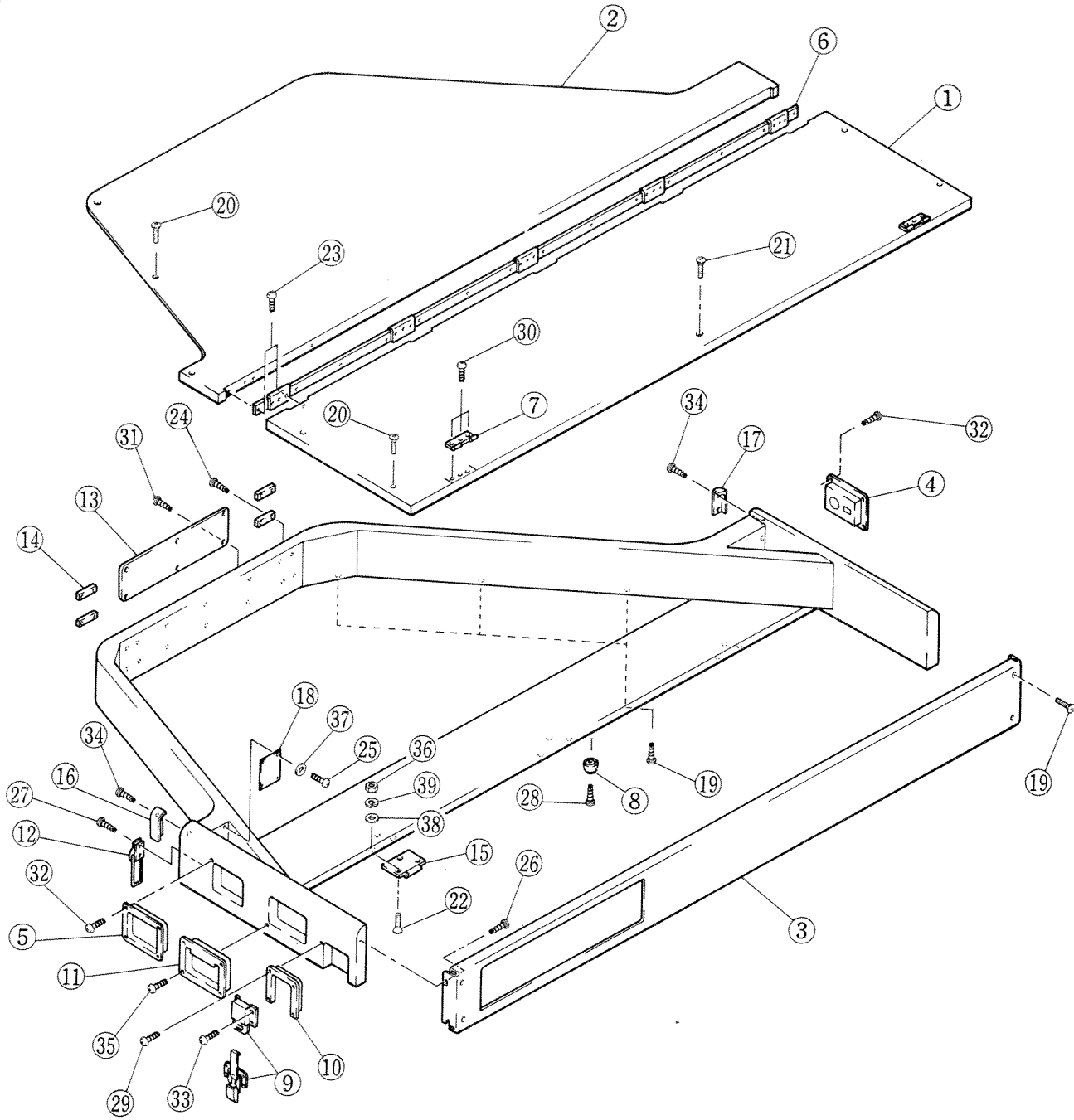
Ref. No.	Part No.	Description	部 品 名	CP-70	CP-70B	CP-80
	NA 50 01 50	Circuit Board, TR	T R シ ー ト	●		
	NA 50 03 10	- do. - , TR	"		●	
	NA 50 03 50	- do. - , TR	"			●
	NA 50 01 70	- do. - , DC	D C シ ー ト	●		
	NA 50 01 80	- do. - , LT	L T シ ー ト	●		
	NA 50 03 20	- do. - , PS	P S シ ー ト		●	●
	LC 50 55 00	P.C. Board, BR	BRシートプリント基板			●
	iG 00 13 90	IC	NJM4558DV	I C	●	●
	iG 02 78 00	- do. - ⇒ iG027850	FS7812L	"	●	●
	iG 02 78 50	- do. -	μPC78L12	"	●	●
	iC 04 58 30	Transistor	2SC458(C)	ト ラ ン ジ ス タ	●	●
	iC 13 45 30	- do. -	2SC1345(D)	"	●	
	iE 00 00 10	FET	2SK30A-Y	F E T	●	●
	iF 00 00 40	Diode	1S1555	ダ イ オ ー ド		●
	iF 00 06 00	LED	BD-301RR	L E D		●
	iF 00 06 50	Zener Diode	WZ162	ツェナーダイオード		●
	iF 00 08 80	- do. -	WZ050	"	●	●
	iH 00 02 40	Diode	1S1885	ダ イ オ ー ド	●	
	iK 00 01 50	Photo-Coupler	MCD527	フ ォ ト カ プ ラ ー	●	
	iK 00 01 80	- do. - (Low Noise)	MCD527	"		●
	HS 42 01 10	Variable Resistor (Volume)	A100KΩ x 2	可 変 抵 抗 器	●	●
	HS 42 01 20	- do. - (Bass)	A50KΩ	"	●	●
	HS 42 01 30	- do. - (Middle)	A1KΩ	"	●	●
	HS 42 01 40	- do. - (Treble)	B10KΩ	"	●	●
	HS 42 01 50	- do. - (Speed)	B100KΩ x 2	"	●	●
	HS 42 01 60	- do. - (Depth)	C20KΩ x 2	"	●	●
	HT 41 00 70	Semi Variable Resistor	B10KΩ	半 固 定 抵 抗	●	●
	HT 41 00 80	- do. -	B22KΩ	"	●	●
	HT 41 00 90	- do. -	B100KΩ	"		●
	FM 11 61 00	B.P. Capacitor	1μF/50V	B P コ ン デ ン サ	●	●
	FM 11 62 20	- do. -	2.2μF/50V	"		●
	FP 35 54 70	Tantalum Capacitor	0.47μF/35V	タ ン タ ル コ ン		●
	GA 50 04 30	Power Transformer	(J, U, C)	電 源 ト ラ ン ス	●	
	GA 50 04 50	- do. -	(SA, AU)	"	●	
	GA 50 04 70	- do. -	(NE)	"	●	
	GA 50 06 10	AC Adaptor	(J)	A C ア ダ プ タ ー		●
	GA 50 06 30	- do. -	(U, C)	"		●
	GA 50 06 50	- do. -	(AU, SA)	"		●
	GA 50 06 60	- do. -	(NE)	"		●
	GA 50 06 90	- do. -	(G)	"		●
	GD 90 02 50	Line Transformer		ラ イ ン ト ラ ン ス	●	●

J: Japanese, U: U.S., C: Canadian, AU: Australian, SA: S. African, NE: N. European G: General

Ref. No.	Part No.	Description		部 品 名	CP-70	CP-70B	CP-80		
	JB:00:03:60	Pilot Lamp		パイロットランプ	●				
	KA:20:04:60	Lever Switch (POWER)	(J, U, C)	レバースイッチ	●				
	KA:20:04:70	- do. - (- do. -)	(SA, AU, NE)	"	●				
	KA:20:05:70	- do. - (BRILLIANCE)		"			●		
	KA:20:07:00	- do. - (TREMOLLO)		"	●	●	●		
	KA:40:06:10	Slide Switch (POWER)		スライドスイッチ		●	●		
	KB:00:02:00	Fuse 125V 0.5A	(J)	ヒューズ	●				
	KB:00:03:10	- do. - 250V 0.5A	(SA, AU)	"	●				
	KB:00:07:10	- do. - - do. - (Mini)	(NE)	"	●				
	KB:00:10:10	- do. - - do. -	(U, C)	"	●				
	LB:20:06:30	Phone Jack (OUTPUT)		フォンジャック	●	●	●		
	LB:20:08:60	- do. - (PATCH)		"		●	●		
	LB:20:11:70	- do. - (- do. -)		"	●				
	LB:30:01:60	Connector XLR3-32	(3P Male)	キャノンソケット	●	●	●		
	LB:20:07:60	- do. - XLR2-32	(2P Male)	"		●	●		
	LB:20:07:80	- do. - XLR2-11C	(2P Female)	キャノンプラグ		●	●		
	LB:30:05:60	AC Socket		A C ソケット	●				
	BD:50:00:20	Piezoelectric Pickup		ピックアップユニット		●	●		
	BD:50:05:10	- do. - → BD500020		"	●				
	MG:00:05:60	AC Cord	(J)	電源コード	●				
	MG:00:05:80	- do. -	(U, C)	"	●				
	MG:00:03:60	- do. -	(NE)	"	●				
	MZ:80:06:50	- do. -	(SA)	"	●				
	MZ:80:17:40	- do. -	(AU)	"	●				
	FZ:00:01:10	Spark Suppressor Cap.	(J, U)	スパークキラー	●				
	FZ:00:09:50	- do. -	(C)	"	●				

J: Japanese, U: U.S., C: Canadian, AU: Australian, SA: S. African, NE: N. European, G: General

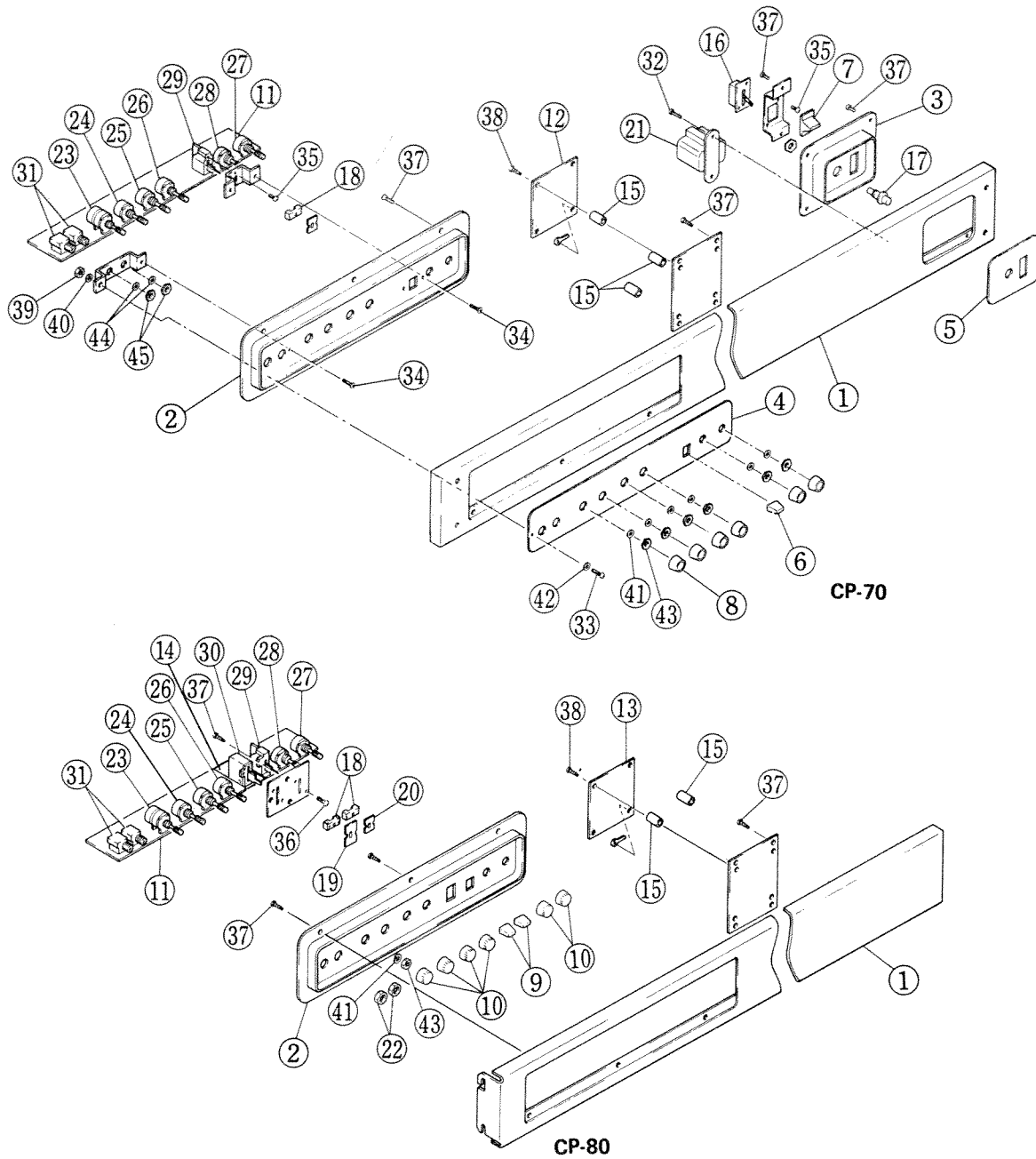
## 2. Harp Section (上本体)





Ref. No.	Part No.	Description			部 品 名	CP-70	CP-70B	CP-80		
1	DX 50 00:90	Top Lid (Front)			屋 根 (前)	●	●			
"	DX 50 01:00	-- do. -- (- do. -)			"			●		
2	DX 50 01:10	-- do. -- (Back)			屋 根 (後)	●	●			
"	DX 50 01:20	-- do. -- (- do. -)			"			●		
3	AA 50 18:60	Front Board			前 板	●				
"	AA 50 18:70	-- do. --			"			●		
"	AA 50 19:50	-- do. --			"		●			
4	AA 50 08:60	Panel (Right)			パ ネ ル (右)	●				
"	AA 50 19:40	-- do. -- (- do. -)			"		●	●		
5	AA 50 20:40	-- do. -- (Left)			パ ネ ル (左)	●	●	●		
6	BB 50 02:00	Long Hinge			ロ ン グ ヒ ン ジ	●	●			
"	BX 50 00:30	-- do. --			"			●		
7	AA 50 16:50	Top Hinge (Female)			中 開 蝶 番 (メス)	●	●	●		
8	CB 07 83:90	Foot			脚	●	●	●		
9	AA 50 15:90	Latch (Set)			ス ー パ ー ク ラ ン プ	●	●	●		
10	CX 50 00:30	Latch Cover			ク ラ ン プ カ バ ー (2)	●	●	●		
11	AA 50 17:70	Handle			把 手	●	●	●		
12	AA 50 16:20	Latch (Male)			セ ミ パ ッ チ ン (オス)	●	●	●		
13	BA 50 00:60	Name Plate			ネ ー ム プ レ ー ト	●	●	●		
14	CB 50 08:10	Foot			滑 り 具	●	●	●		
15	AA 50 13:10	Dissection Hinge (Male)			解 体 式 蝶 番 (オス)	●	●	●		
16	AA 50 11:80	Metal Corner (2L)			コ ー ナ ー 金 具 (2L)	●	●	●		
17	AA 50 15:10	-- do. -- (2R)			" (2R)	●	●	●		
18	NA 50 01:80	Circuit Board, LT			L T シ ー ト	●				
19	EF 35 02:00	Oval Head Screw	M5 x 20	BL	丸 皿 小 ネ ジ	●	●	●		
20	EF 35 02:50	-- do. --	M5 x 25	BL	"	●	●	●		
21	EF 35 03:00	-- do. --	M5 x 30	BL	"	●	●	●		
22	EF 35 03:50	-- do. --	M5 x 35	BL	"	●	●	●		
23	EP 32 41:60	Flat Head Wood Screw	2.4 x 16	BL	皿 木 ネ ジ	●	●	●		
24	EP 33 51:60	-- do. --	3.5 x 16	BL	"	●	●	●		
25	EQ 03 11:30	Round Head Wood Screw	3.1 x 13	YE	丸 木 ネ ジ	●				
26	EQ 03 51:60	-- do. --	3.5 x 16	YE	"			●		
27	EQ 32 71:60	-- do. --	2.7 x 16	BL	"	●	●	●		
28	EQ 33 12:00	-- do. --	3.1 x 20	BL	"	●	●	●		
29	ER 32 71:30	Oval Head Wood Screw	2.7 x 13	BL	丸 皿 木 ネ ジ	●	●	●		
30	ER 32 71:60	-- do. --	2.7 x 16	BL	"	●	●	●		
31	ER 33 11:30	-- do. --	3.1 x 13	BL	"	●	●	●		
32	ER 33 11:60	-- do. --	3.1 x 16	BL	"	●	●	●		
33	ER 33 51:60	-- do. --	3.5 x 16	BL	"	●	●	●		
34	ER 33 52:00	-- do. --	3.5 x 20	BL	"	●	●	●		
35	ER 34 12:50	-- do. --	4.1 x 25	BL	"	●	●	●		
36	EV 10 00:50	Hexagonal Nut	M5	YE	六 角 ナ ッ ト	●	●	●		
37	EV 20 00:30	Flat Washer	3S	YE	平 座 金	●				
38	EV 20 00:50	-- do. --	5S	YE	"	●	●	●		
39	EV 30 00:50	Spring Lock Washer	5S	YE	バ ネ 座 金	●	●	●		

### 3. Front Panel (前板)

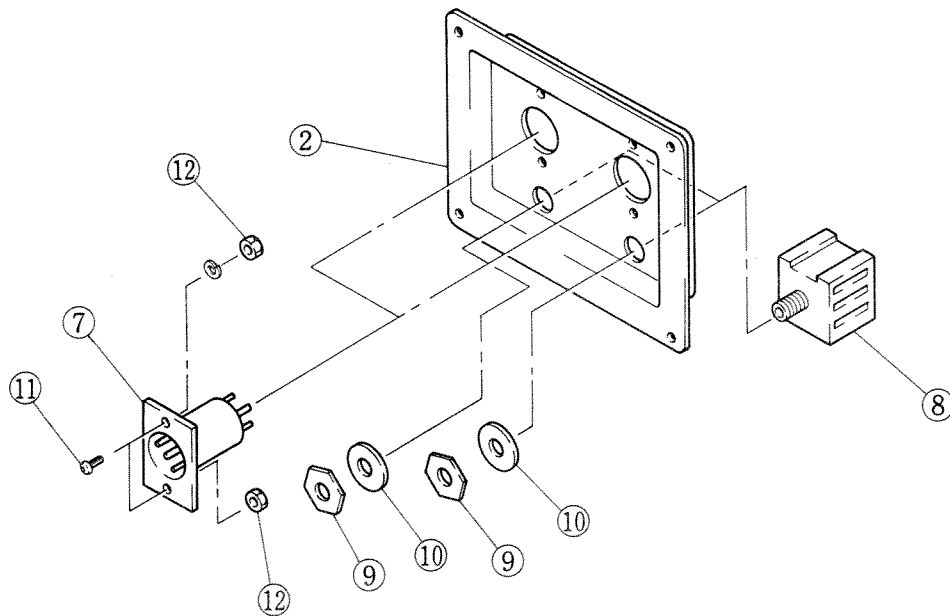
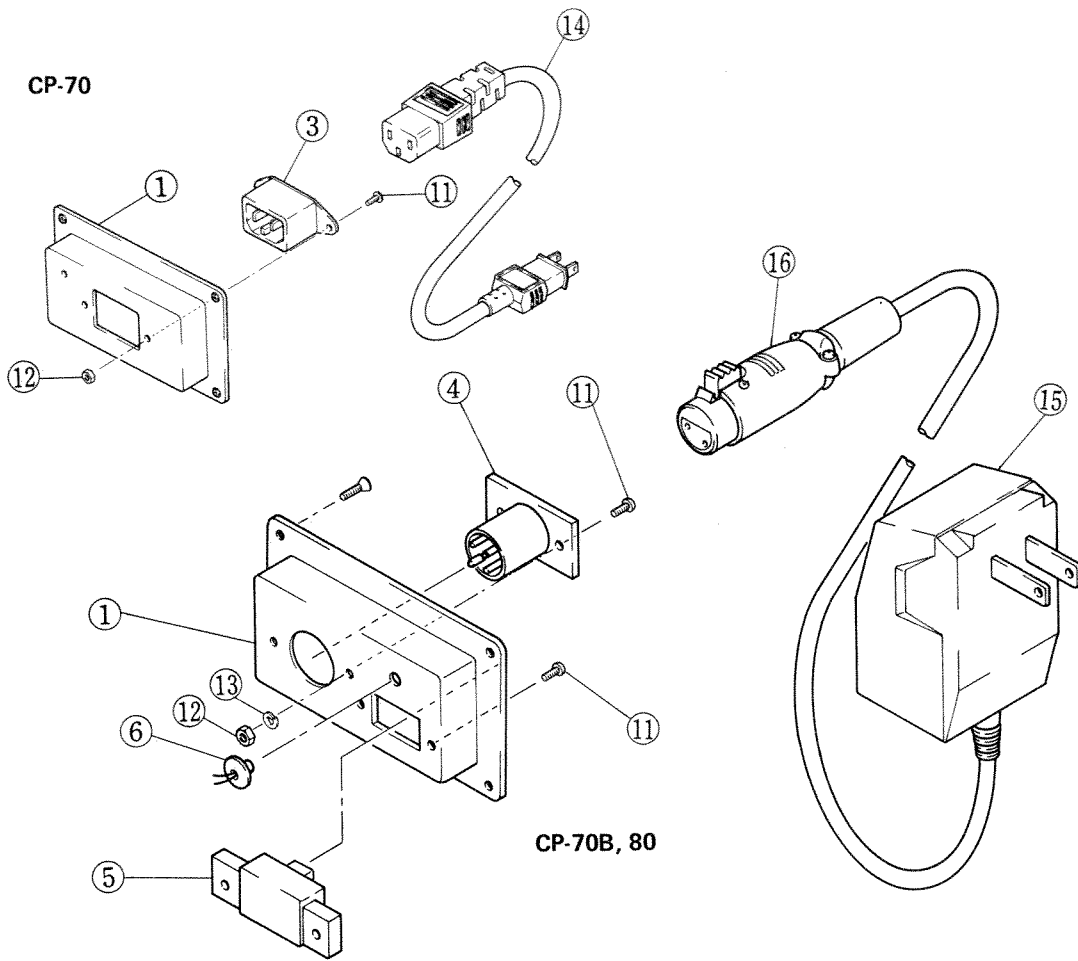


Ref. No.	Part No.	Description	部 品 名	CP-70	CP-70B	CP-80
1	AA:50:18:60	Front Panel	前 板	●		
"	AA:50:19:50	- do. -	"		●	
"	AA:50:18:70	- do. -	"			●
2	CB:50:07:30	Control Panel, (A)	操 作 パ ネ ル (A)	●	●	
3	CB:50:07:40	- do. - , (B)	" (B)	●		
"	CB:50:13:40	- do. -	"			●
4	AA:50:11:00	Control Panel, (A)	操 作 パ ネ ル 化 粧 (A)	●	●	
5	AA:50:11:10	- do. - , (B)	" (B)	●		

J: Japanese, U: U.S., C: Canadian, AU: Australian, SA: S. African, NE: N. European, G: General

Ref. No.	Part No.	Description		部 品 名	CP-70	CP-70B	CP-80		
6	CB 07 38 40	Knob	TREMOLO	ツ マ ミ	●	●			
7	CB 07 66 60	- do. -	POWER	"	●				
8	CB 80 08 20	- do. -	VR	"	●	●			
9	CB 50 14 20	- do. -	TREMOLO BRILLIANCE	"			●		
10	CB 81 17 80	- do. -	VR	"			●		
11	NA 50 01 50	Circuit Board, TR		T R シ ー ト	●				
"	NA 50 03 10	- do. - , - do. -		"		●			
"	NA 50 03 50	- do. - , - do. -		"			●		
12	NA 50 01 70	- do. - , DC		D C シ ー ト	●				
13	NA 50 03 20	- do. - , PS		P S シ ー ト		●	●		
14	LC 50 55 00	P.C. Board, BR		BRシートプリント基板			●		
15	CB 01 09 80	Spacer		ス ペ ー サ ー	●	●	●		
16	KA 20 04 60	Lever Switch (POWER)	(J, U, C)	レバースイッチ	●				
"	KA 20 04 70	- do. - (- do. -)	(SA, AU, NE)	"	●				
17	JB 00 03 60	Pilot Lamp		パイロットランプ	●				
18	CB 06 85 80	Bushing, Switch		ブ ッ シ ュ	●	●			
"	CB 50 14 30	- do. -		"			●		
19	CB 50 14 40	Apron, Switch (L)	BR SW	スイッチエプロン (L)			●		
20	CB 50 14 50	- do. - (S)	TR SW	" (S)			●		
21	GA 50 04 30	Power Transformer	(J, U, C)	電 源 ト ラ ン ス	●				
"	GA 50 04 50	- do. -	(SA, AU)	"	●				
"	GA 50 04 70	- do. -	(NE)	"	●				
22	CB 06 20 10	Phone Nut	⇒ BA500360	ホ ー ン ナ ッ ト		●	●		
"	BA 50 03 60	- do. -		"		●	●		
23	HS 42 01 10	Variable Resistor (Volume)	A100KΩ × 2	可 変 抵 抗 器	●	●	●		
24	HS 42 01 20	- do. - (Bass)	A50KΩ	"	●	●	●		
25	HS 42 01 30	- do. - (Middle)	A1KΩ	"	●	●	●		
26	HS 42 01 40	- do. - (Treble)	B10KΩ	"	●	●	●		
27	HS 42 01 50	- do. - (Speed)	B100KΩ × 2	"	●	●	●		
28	HS 42 01 60	- do. - (Depth)	C20KΩ	"	●	●	●		
29	KA 20 07 00	Lever Switch	TREMOLO	レバースイッチ	●	●	●		
30	KA 20 05 70	- do. -	BRILLIANCE	"			●		
31	LB 20 11 70	Phone Jack	PATCH	ホ ー ン ジャ ッ ク	●				
"	LB 20 08 60	- do. -	- do. -	"		●	●		
32	EA 03 00 80	Pan Head Screw	M3 × 8 YE	ナ ベ 小 ネ ジ	●				
33	EA 34 01 40	- do. -	M4 × 14 BL	"	●	●			
34	EB 03 00 60	Flat Head Screw	M3 × 6 YE	皿 小 ネ ジ	●	●			
35	ED 03 00 60	Bind Screw	M3 × 6 YE	バ イ ン ド 小 ネ ジ	●	●			
36	ED 03 00 80	- do. -	M3 × 8 BL	"			●		
37	Ei 03 00 80	Bind Tapping Screw	3 × 8 YE	バ イ ン ド タ ッ ピ ン グ ネ ジ	●	●	●		
38	Ei 03 01 40	Bind Tapping Screw	3 × 14 YE	バ イ ン ド タ ッ ピ ン グ ネ ジ	●	●	●		
39	EV 10 00 40	Hexagonal Nut	M4 YE	六 角 ナ ッ ト	●	●			
40	EV 20 00 40	Flat Washer	4S YE	平 座 金	●	●			
41	EV 22 00 80	- do. -	8S	特 殊 平 座 金	●	●	●		
42	EV 41 00 40	Toothed Lock Washer	A4S	歯 付 座 金	●	●			
43	EZ 30 80 10	Hexagonal Nut	M8	特 殊 六 角 ナ ッ ト	●	●	●		
44	LX 20 00 10	Flat Washer	9S	特 殊 平 座 金	●				
45	LX 20 00 60	Hexagonal Nut	M9	特 殊 六 角 ナ ッ ト	●				

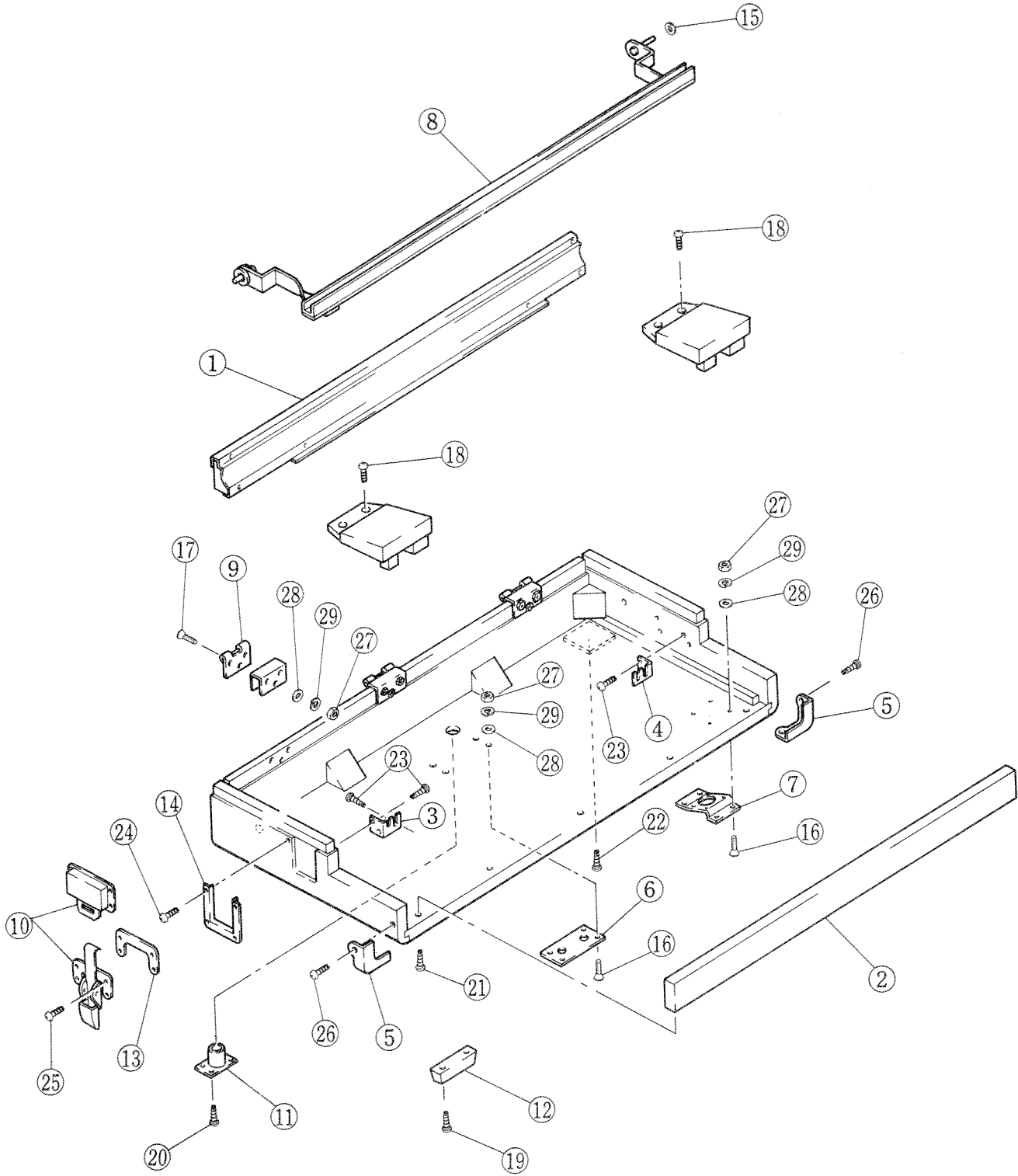
#### 4. Side Panel (左右パネル)



Ref. No.	Part No.	Description			部 品 名	CP-70	CP-70B	CP-80		
1	AA 50 08 60	Panel (Right)			パ ネ ル (右)	●				
"	AA 50 19 40	- do. - (- do. -)			"		●	●		
2	AA 50 20 40	- do. - (Left)			パ ネ ル (左)	●	●	●		
3	LB 30 05 60	AC Socket			A C ソ ケ ッ ト	●				
4	LB 20 07 60	Connector	XLR-2-32		キ ャ ノ ン ソ ケ ッ ト		●	●		
5	KA 40 06 10	Slide Switch	POWER		ス ラ イ ド ス イ ッ チ		●	●		
6	i F 00 06 00	LED BD-301RR	POWER IND.		L E D		●	●		
7	LB 30 01 60	Connector	XLR-3-32		キ ャ ノ ン ソ ケ ッ ト	●	●	●		
8	LB 20 06 30	Phone Jack			ホ ー ン ジャ ッ ク	●	●	●		
9	CB 06 20 10	Phone Nut	⇒ BA500360		ホ ー ン ナ ッ ト	●	●	●		
"	BA 50 03 60	- do. -			"	●	●	●		
10	EK 00 23 70	Fiber Washer			フ ァ イ バ ー ワ ッ シ ャ ー	●	●	●		
11	EA 23 01 00	Pan Head Screw	M3 x 10	CR	ナ ベ 小 ネ ジ	●				
"	EF 23 01 00	Oval Head Screw	M3 x 10	CR	丸 皿 小 ネ ジ		●	●		
12	EV 10 00 30	Hexagonal Nut	M3	YE	六 角 ナ ッ ト	●	●	●		
13	EV 30 00 30	Spring Lock Washer	3S	YE	パ ネ 座 金		●	●		
14	MG 00 05 60	AC Cord	(J)		電 源 コ ー ド	●				
"	MG 00 05 80	- do. -	(U, C)		"	●				
"	MG 00 03 60	- do. -	(NE)		"	●				
"	MZ 80 06 50	- do. -	(SA)		"	●				
"	MZ 80 17 40	- do. -	(AU)		"	●				
15	GA 50 06 10	AC Adaptor For 100V	(J)		A C ア ダ プ タ ー		●	●		
"	GA 50 06 30	- do. - For 120V	(U, C)		"		●	●		
"	GA 50 06 50	- do. - For 220V	(AU, SA)		"		●	●		
"	GA 50 06 60	- do. - For 220V	(NE)		"		●	●		
"	GA 50 06 90	- do. - For 200V	(G)		"		●	●		
16	LB 20 07 80	Connector	XLR-2-11C		キ ャ ノ ン プ ラ グ		●	●		

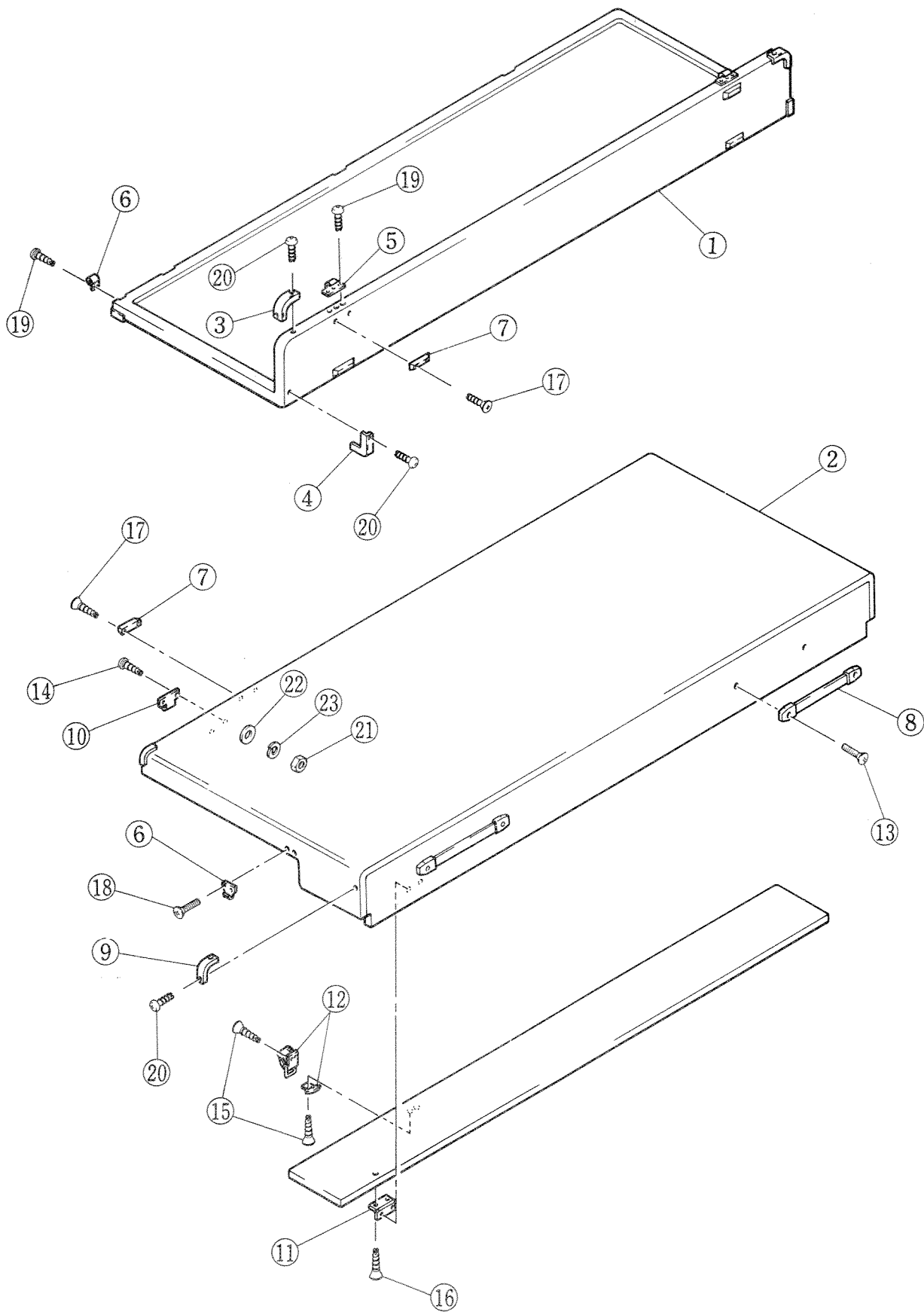
J: Japanese, U: U.S., C: Canadian, AU: Australian, SA: S. African, NE: N. European, G: General

## 5. Keyboard Section (下本体)



Ref. No.	Part No.	Description	部 品 名			CP-70	CP-70B	CP-80		
1	DX 50 01 70	Upstop Rail			鍵盤押え	●	●			
"	DX 50 01 80	- do. -			"			●		
2	DB 50 22 70	Keyslip			口 棒	●	●			
"	DX 50 01 90	- do. -			"			●		
3	AA 50 11 40	Upstop Rail Holder (L)			鍵盤押え取付金具(左)	●	●	●		
4	AA 50 14 90	- do. - (R)			" (右)	●	●	●		
5	AA 50 11 70	Metal Corner (1)			コーナー金具 (1)	●	●	●		
6	AA 50 12 00	Leg Brace Plate			脚ステイ取付座板	●	●			
"	AA 50 21 70	- do. -			"			●		
7	AA 50 12 30	Leg Anchor Plate			脚パイプ取付座板	●	●	●		
8	AA 50 12 80	Hammer Shank Stopper			ハンマーシャンク押え	●	●			
"	AA 50 21 60	- do. -			"			●		
9	AA 50 13 20	Dissection Hinge (Female)			解体式蝶番(メス)	●	●	●		
10	AA 50 15 90	Latch (Set)			スーパークランプ(オス)	●	●	●		
11	AA 97 00 30	Pedal Rod Guide			突上棒ガイド	●	●	●		
12	CB 50 08 10	Foot			滑り具	●	●	●		
13	CB 50 13 30	Latch Spacer			クランプスペーサー	●	●	●		
14	CX 50 00 20	Latch Cover (1)			クランプカバー (1)	●	●	●		
15	CD 06 01 30	Punching Cloth			シャンク押えパンチング	●	●	●		
16	EB 35 02 00	Flat Head Screw	M5 x 20	BL	皿小ネジ	●				
"	EB 35 03 00	- do. -	M5 x 30	BL	"		●	●		
17	EF 35 03 50	Oval Head Screw	M5 x 35	BL	丸皿小ネジ	●	●	●		
18	EP 16 26 30	Flat Head Wood Screw	6.2 x 63	NI	皿木ネジ	●	●	●		
19	EP 33 51 60	- do. -	3.5 x 16	BL	"	●	●	●		
20	EP 33 52 00	- do. -	3.5 x 20	BL	"	●	●	●		
21	EP 34 14 00	- do. -	4.1 x 40	BL	"	●				
"	EP 34 55 60	- do. -	4.5 x 56	BL	"		●	●		
22	EP 34 54 50	- do. -	4.5 x 45	BL	"	●				
"	EP 35 13 20	- do. -	5.1 x 32	BL	"		●			
23	EQ 03 51 60	Round Head Wood Screw	3.5 x 16	YE	丸木ネジ	●	●	●		
24	ER 32 71 30	Oval Head Wood Screw	2.7 x 13	BL	丸皿木ネジ	●	●	●		
25	ER 33 51 60	- do. -	3.5 x 16	BL	"	●	●	●		
26	ER 33 52 00	- do. -	3.5 x 20	BL	"	●	●	●		
27	EV 10 00 50	Hexagonal Nut	M5	YE	六角ナット	●	●	●		
28	EV 20 00 50	Flat Washer	5S	YE	平座金	●	●	●		
29	EV 30 00 50	Spring Lock Washer	5S	YE	バネ座金	●	●	●		

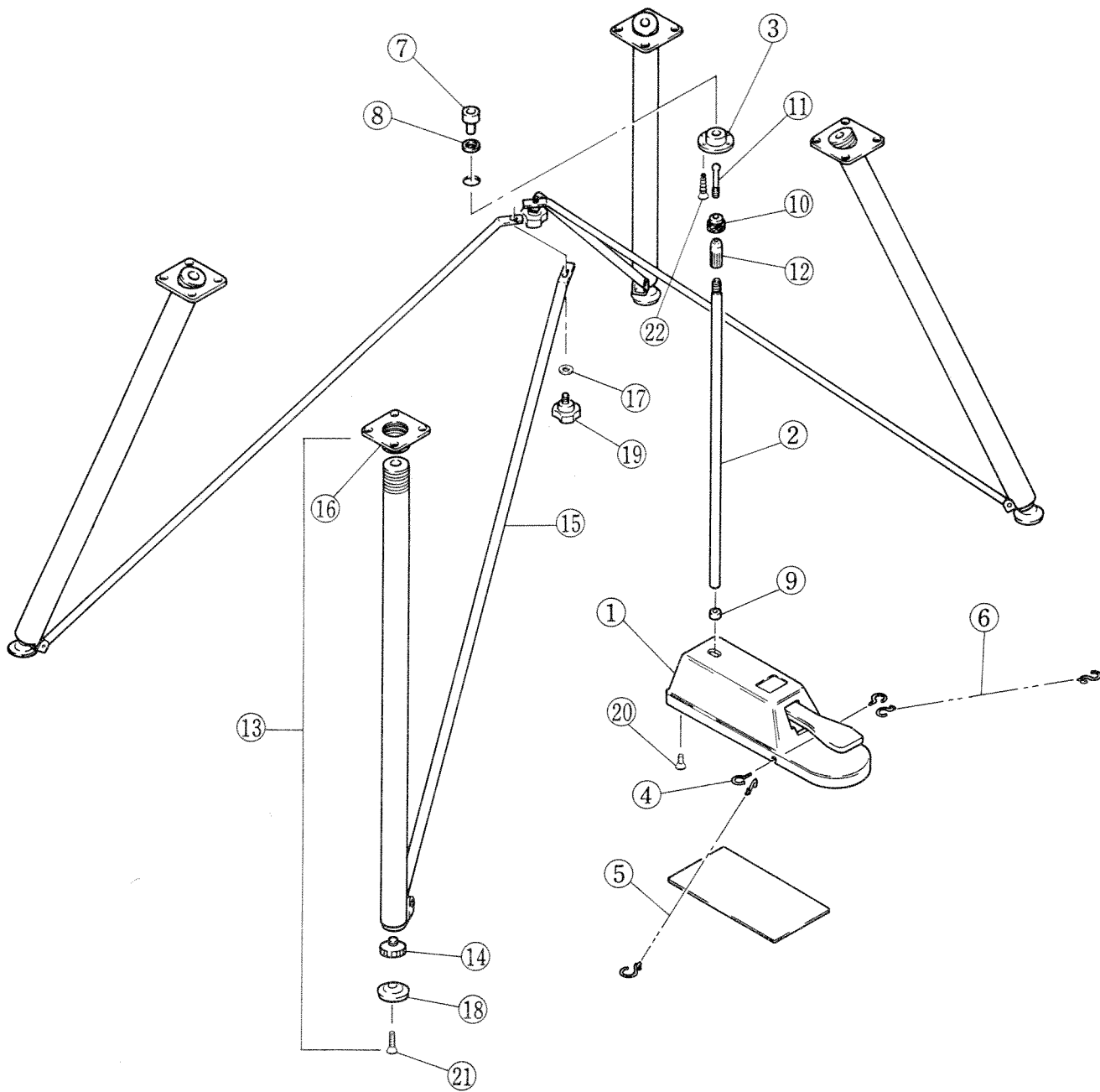
## 6. Cover (蓋)





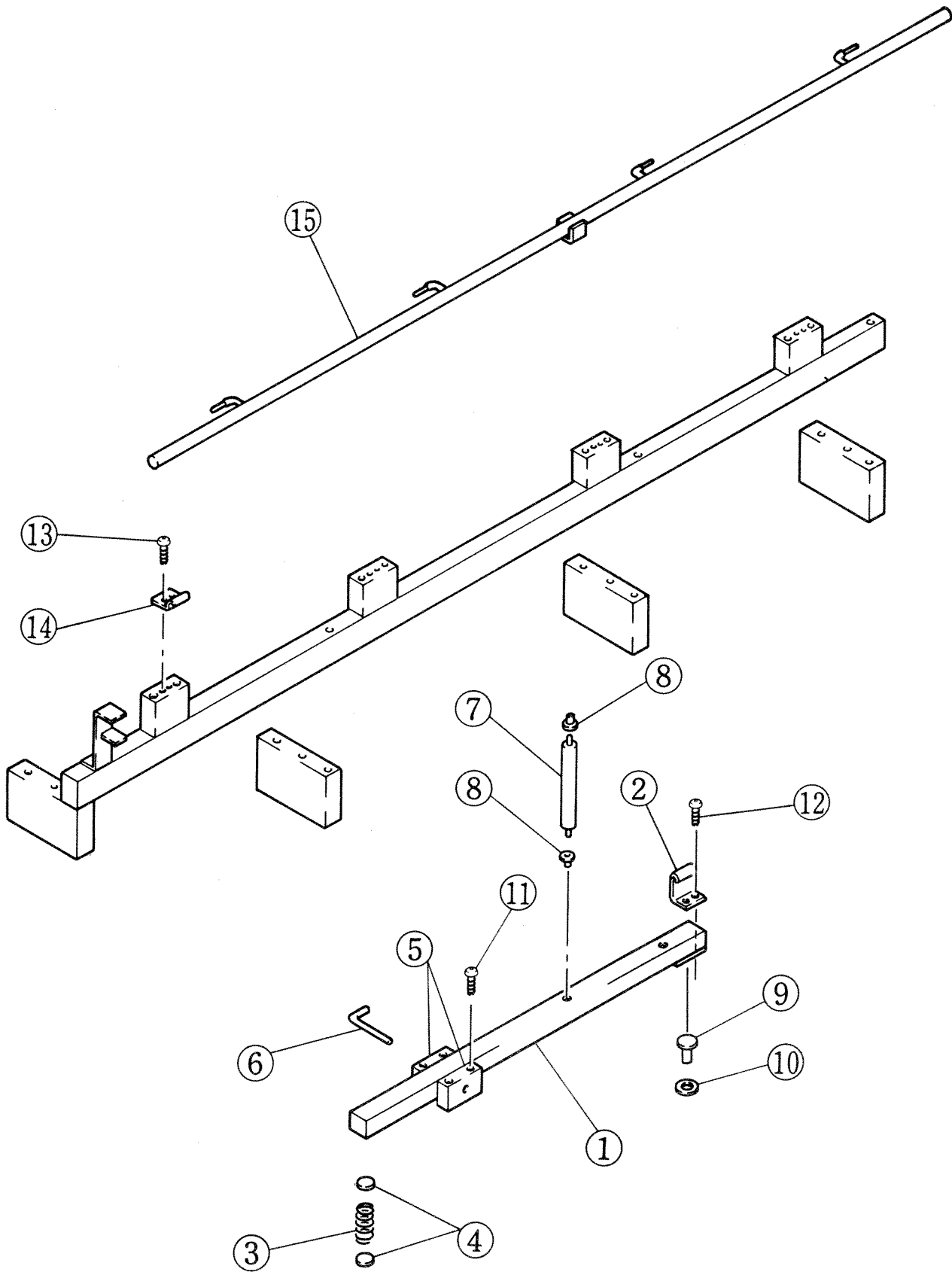
Ref. No.	Part No.	Description	部 品 名			CP-70	CP-70B	CP-80		
1	DX 50 01 30	Harp Section Cover Assy			上 ケ ー ス 蓋 Assy	●	●			
"	DX 50 01 40	-- do. --			"			●		
2	DX 50 01 50	Keyboard Section Cover Assy			下 ケ ー ス 蓋 Assy	●	●			
"	DX 50 01 60	-- do. --			"			●		
3	AA 50 11 70	Metal Corner (1)			コ ー ナ ー 金 具 (1)	●	●	●		
4	AA 50 11 90	-- do. -- (3)			" (3)	●	●	●		
5	AA 50 16 30	Open Hinge (Male)			中 開 蝶 番 (オス)	●	●	●		
6	AA 50 16 10	Latch (Female)			セ ミ バ ッ チ ン (メ ス)	●	●	●		
7	CB 50 08 10	Foot			滑 り 具	●	●	●		
8	NB 50 17 20	Handle Assy			取 手 Assy	●	●	●		
9	AA 50 11 70	Metal Corner (1)			コ ー ナ ー 金 具 (1)	●	●	●		
10	AA 50 13 10	Dissection Hinge (Male)			解 体 式 蝶 番 (オス)	●	●	●		
11	AA 50 17 80	Hinge			短 蝶 番	●	●	●		
12	AA 50 17 90	Latch			バ ッ チ ン (一 式)	●	●	●		
13	EF 35 03 00	Oval Head Screw	M5 x 30	BL	丸 皿 小 ネ ジ	●	●	●		
14	EF 35 03 50	-- do. --	M5 x 35	BL	"	●	●	●		
15	EP 23 52 00	Flat Head Wood Screw	3.5 x 20	CR	皿 木 ネ ジ	●	●	●		
16	EP 32 71 00	-- do. --	2.7 x 10	BL	"	●	●	●		
17	EP 33 51 60	-- do. --	3.5 x 16	BL	"	●	●	●		
18	ER 32 41 30	Oval Head Wood Screw	2.4 x 13	BL	丸 皿 木 ネ ジ	●	●	●		
19	ER 32 71 60	-- do. --	2.7 x 16	BL	"	●	●	●		
20	ER 33 52 00	-- do. --	3.5 x 20	BL	"	●	●	●		
21	EV 10 00 50	Hexagonal Nut	M5	YE	六 角 ナ ッ ト	●	●	●		
22	EV 20 00 50	Flat Washer	5S	YE	平 座 金	●	●	●		
23	EV 30 00 50	Spring Lock Washer	5S	YE	バ ネ 座 金	●	●	●		

# 7. Pedal, Leg (ペダル, 脚)



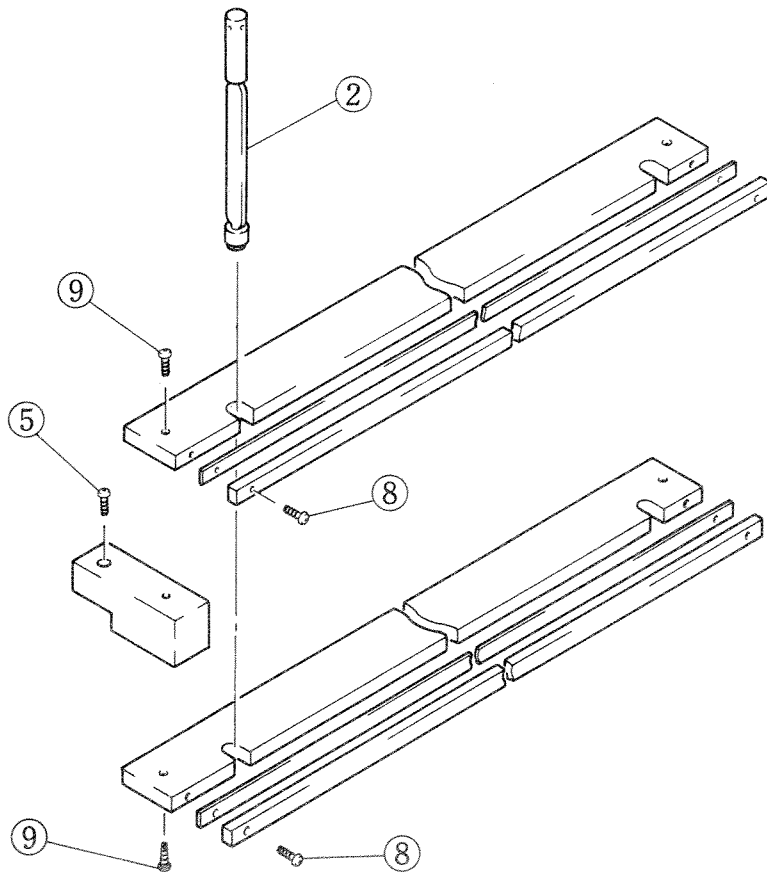
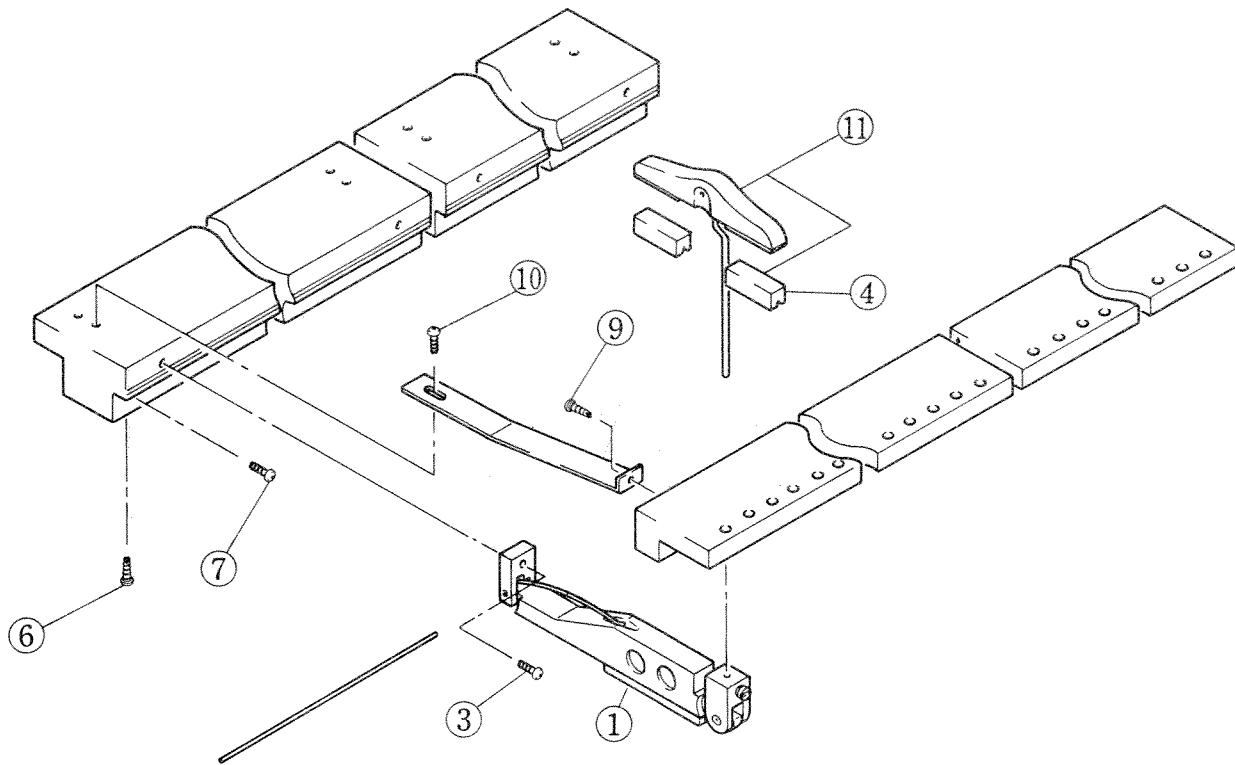
Ref. No.	Part No.	Description			部 品 名	CP-70	CP-70B	CP-80		
1	NB 50 19 20	Pedal Assy (without Pedal Chain)			ペダル Assy	●	●	●		
2	AA 97 00 20	Pedal Rod (Long)			突上棒(長)	●	●	●		
3	AA 97 00 30	Pedal Rod Guide			突上棒ガイド	●	●	●		
4	AA 97 00 90	Hook Bolt			フックボルト	●	●	●		
5	AA 99 01 08	Pedal Chain (Long)			ペダルクサリ(長)	●	●			
"	AA 99 01 28	— do. — (- do. -)			"			●		
6	AA 99 01 18	— do. — (Short)			" (短)	●	●			
"	AA 99 01 38	— do. — (- do. -)			"			●		
7	CB 95 00 20	Rod Button			突上棒ボタン	●	●	●		
8	CB 95 00 30	Button Punching (Large)			ボタンパンチング(大)	●	●	●		
9	CB 95 00 50	Pedal Rubber Bushing			ペダルゴム軸	●	●	●		
10	EZ 50 00 00	Rod Nut			突上棒ナット	●	●	●		
11	EZ 50 00 10	Rod Bolt			突上棒球ボルト	●	●	●		
12	EZ 50 00 20	Rod Connection Nut			突上棒連結ナット	●	●	●		
13	NB 50 17 60	Leg Pipe Assy			脚パイプ Assy	●	●	●		
14	AA 50 12 10	Brace Locking Nut			調整ナット	●	●	●		
15	AA 50 12 50	Brace			脚ステー	●	●	●		
16	AA 50 14 80	Leg Anchor			脚パイプ取付座板	●	●	●		
17	AA 50 18 00	Stay Ring			脚柱リング	●	●	●		
18	AA 50 19 20	Foot			調整座	●	●	●		
19	CB 50 09 40	Knob Bolt			ノブネジ	●	●	●		
20	EB 03 00 70	Flat Head Screw	M3 x 7	YE	皿小ネジ	●	●	●		
21	EB 25 02 00	— do. —	M5 x 20	CR	"	●	●	●		
22	EP 33 52 00	Flat Head Wood Screw	3.5 x 20	BL	皿木ネジ	●	●	●		



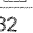
8. Pedal Lever, Rod (ペダルレバー, ロッド)



Ref. No.	Part No.	Description		部 品 名	CP-70	CP-70B	CP-80		
1	DB:60:00:00	Pedal Lever		ペダルレバー	●	●	●		
2	AA:97:00:40	Pedal Lever Guide		ペダルレバー振止金具	●	●	●		
3	AA:97:00:50	Pedal Lever Spring		ペダルレバー巻バネ	●	●	●		
4	CB:95:00:40	Pedal Lever Punching		ペダルレバーパンチング	●	●	●		
5	DB:60:00:20	Pedal Lever Block		ペダルメタル	●	●	●		
6	AA:97:00:60	Pedal Lever Pin		曲金	●	●	●		
7	DB:60:00:10	Pedal Rod		突上棒(小)	●	●	●		
8	CB:90:00:00	Rubber Bushing		ゴムブッシュ	●	●	●		
9	CB:95:00:20	Rod Button		突上棒ボタン	●	●	●		
10	CB:95:00:30	Button Punching		ボタンパンチング(大)	●	●	●		
11	EP:04:14:00	Flat Head Wood Screw	4.1 x 40	皿木ネジ	●	●	●		
12	EO:03:11:30	Round Head Wood Screw	3.1 x 13	丸木ネジ	●	●	●		
13	EO:03:51:30	- do. -	3.5 x 13	〃	●	●	●		
14	BA:90:00:00	Damper Rod Hinge		ダンパーロッドヒンジ	●	●	●		
15	BA:90:00:10	Damper Rod		ダンパーロッド	●	●			
"	BX:50:00:40	- do. -		〃			●		

## 9. Damper Assy (ダンパー Assy)



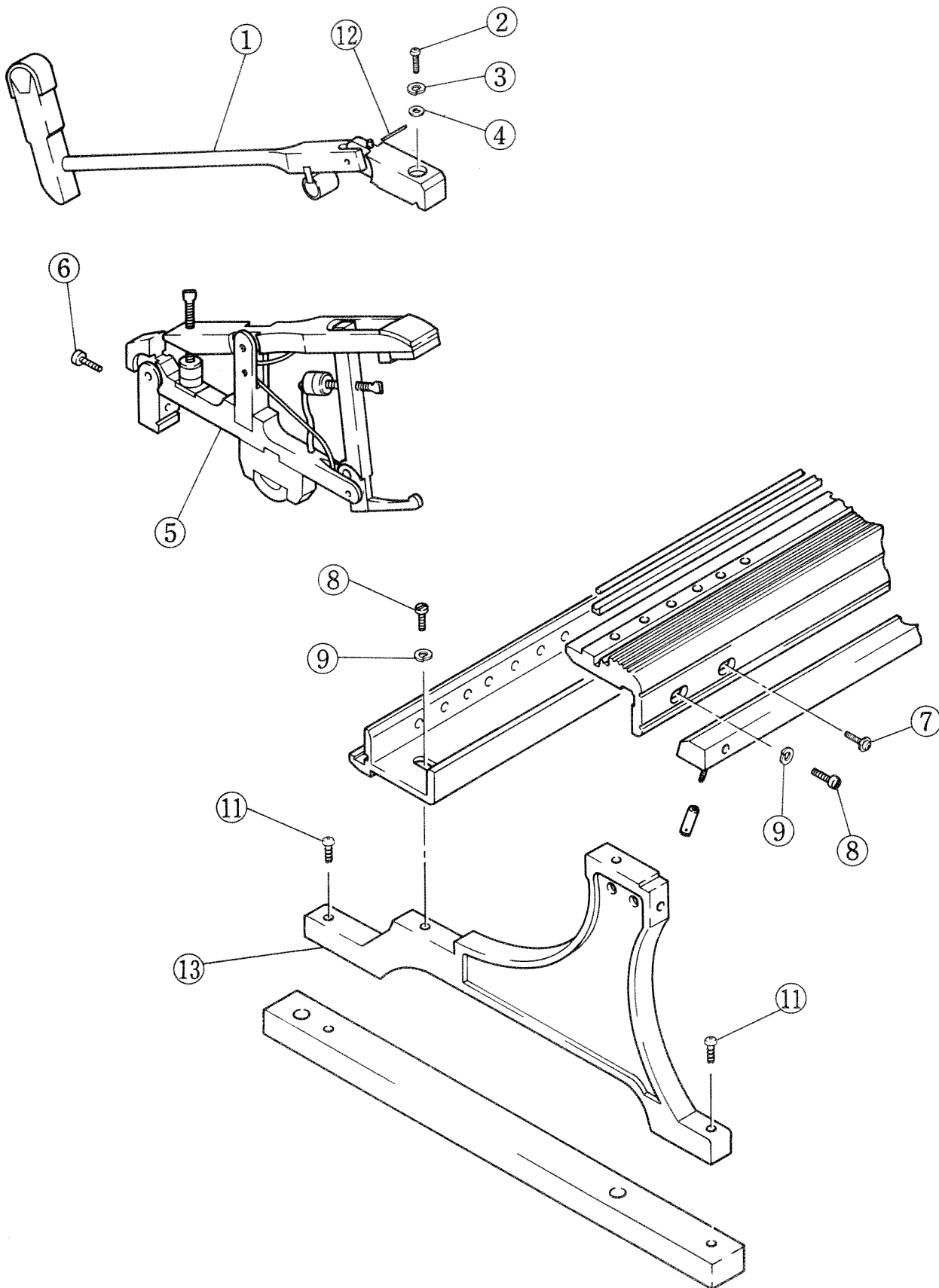
Ref. No.	Part No.	Description	CP-70, 70B		CP-80	部 品 名	CP-70	CP-70B	CP-80
			1E~25E	26F~50F					
1	NB:97:01:10	Damper Lever Assy				ダンパーレバー Assy	●	●	●
"	NB:97:01:20	- do. -				"	●	●	●
"	NB:97:01:30	- do. -				"	●	●	●
2	NB:97:01:70	Damper Lift Post				ダンパー突上 Assy	●	●	●
3	AA:97:02:50	Damper Lever Screw				ダンパーレバースクリュー	●	●	●
4	CC:90:00:30	Damper Felt				ダンパーフェルト	●	●	●
"	CC:90:00:40	- do. -				"	●	●	●
"	CC:90:00:50	- do. -				"	●	●	●
5	EP:03:53:20	Flat Head Wood Screw	3.5 x 32	YE		皿 木 ネ ジ	●	●	●
6	EP:04:12:50	- do. -	4.1 x 25	YE		"	●	●	●
7	EP:04:14:00	- do. -	4.1 x 40	YE		"	●	●	●
8	EQ:02:71:30	Round Head Wood Screw	2.7 x 13	YE		丸 木 ネ ジ	●	●	●
9	EQ:03:11:30	- do. -	3.1 x 13	YE		"	●	●	●
10	EQ:03:51:30	- do. -	3.5 x 13	YE		"	●	●	●
11	NB:50:60:10	Damper Head Assy	Key # 1	E		ダンパーヘッド Assy	●	●	
"	NB:50:60:20	- do. -	Key # 2	F		"	●	●	
"	NB:50:60:30	- do. -	Key # 3	F#		"	●	●	
"	NB:50:60:40	- do. -	Key # 4	G		"	●	●	
"	NB:50:60:50	- do. -	Key # 5	G#		"	●	●	
"	NB:50:60:60	- do. -	Key # 6	A		"	●	●	
"	NB:50:60:70	- do. -	Key # 7	A#		"	●	●	
"	NB:50:60:80	- do. -	Key # 8	B		"	●	●	
"	NB:50:60:90	- do. -	Key # 9	C		"	●	●	
"	NB:50:61:00	- do. -	Key # 10	C#		"	●	●	
"	NB:50:61:10	- do. -	Key # 11	D		"	●	●	
"	NB:50:61:20	- do. -	Key # 12	D#		"	●	●	
"	NB:50:61:30	- do. -	Key # 13	E		"	●	●	
"	NB:50:61:40	- do. -	Key # 14	F		"	●	●	
"	NB:50:61:50	- do. -	Key # 15	F#		"	●	●	
"	NB:50:61:60	- do. -	Key # 16	G		"	●	●	
"	NB:50:61:70	- do. -	Key # 17	G#		"	●	●	
"	NB:50:61:80	- do. -	Key # 18	A		"	●	●	
"	NB:50:61:90	- do. -	Key # 19	A#		"	●	●	
"	NB:50:62:00	- do. -	Key # 20	B		"	●	●	
"	NB:50:62:10	- do. -	Key # 21	C		"	●	●	
"	NB:50:62:20	- do. -	Key # 22	C#		"	●	●	
"	NB:50:62:30	- do. -	Key # 23	D		"	●	●	
"	NB:50:62:40	- do. -	Key # 24	D#		"	●	●	
"	NB:50:62:50	- do. -	Key # 25	E		"	●	●	
"	NB:50:62:60	- do. -	Key # 26	F		"	●	●	
"	NB:50:62:70	- do. -	Key # 27	F#		"	●	●	
"	NB:50:62:80	- do. -	Key # 28	G		"	●	●	
"	NB:50:62:90	- do. -	Key # 29	G#		"	●	●	
"	NB:50:63:00	- do. -	Key # 30	A		"	●	●	
"	NB:50:63:10	- do. -	Key # 31	A#		"	●	●	
"	NB:50:63:20	- do. -	Key # 32	B		"	●	●	
"	NB:50:63:30	- do. -	Key # 33	C		"	●	●	
"	NB:50:63:40	- do. -	Key # 34	C#		"	●	●	
"	NB:50:63:50	- do. -	Key # 35	D		"	●	●	
"	NB:50:63:60	- do. -	Key # 36	D#		"	●	●	
"	NB:50:63:70	- do. -	Key # 37	E		"	●	●	
"	NB:50:63:80	- do. -	Key # 38	F		"	●	●	
"	NB:50:63:90	- do. -	Key # 39	F#		"	●	●	

Ref. No.	Part No.	Description	部 品 名	CP-70	CP-70B	CP-80		
11	NB 50 64 00	Damper Head Assy	Key # 40 G	ダンパーヘッド Ass'y	●	●		
"	NB 50 64 10	- do. -	Key # 41 G#	"	●	●		
"	NB 50 64 20	- do. -	Key # 42 A	"	●	●		
"	NB 50 64 30	- do. -	Key # 43 A#	"	●	●		
"	NB 50 64 40	- do. -	Key # 44 B	"	●	●		
"	NB 50 64 50	- do. -	Key # 45 C	"	●	●		
"	NB 50 64 60	- do. -	Key # 46 C#	"	●	●		
"	NB 50 64 70	- do. -	Key # 47 D	"	●	●		
"	NB 50 64 80	- do. -	Key # 48 D#	"	●	●		
"	NB 50 64 90	- do. -	Key # 49 E	"	●	●		
"	NB 50 65 00	- do. -	Key # 50 F	"	●	●		
"	NB 50 65 10	- do. -	Key # 51 F#	"	●	●		
"	NB 50 65 20	- do. -	Key # 52 G	"	●	●		
"	NB 50 65 30	- do. -	Key # 53 G#	"	●	●		
"	NB 50 65 40	- do. -	Key # 54 A	"	●	●		
"	NB 50 65 50	- do. -	Key # 55 A#	"	●	●		
"	NB 50 65 60	- do. -	Key # 56 B	"	●	●		
"	NB 50 65 70	- do. -	Key # 57 C	"	●	●		
"	NB 50 65 80	- do. -	Key # 58 C#	"	●	●		
"	NB 50 65 90	- do. -	Key # 59 D	"	●	●		
"	NB 50 66 00	- do. -	Key # 60 D#	"	●	●		
"	NB 50 66 10	- do. -	Key # 61 E	"	●	●		
"	NB 50 66 20	- do. -	Key # 62 F	"	●	●		
"	NB 50 66 30	- do. -	Key # 63 F#	"	●	●		
"	NB 50 66 40	- do. -	Key # 64 G	"	●	●		
"	NB 50 66 50	- do. -	Key # 65 G#	"	●	●		
"	NB 50 66 60	- do. -	Key # 66 A	"	●	●		
"	NB 50 90 10	- do. -	Key # 1 A	"			●	
"	NB 50 90 20	- do. -	Key # 2 A#	"			●	
"	NB 50 90 30	- do. -	Key # 3 B	"			●	
"	NB 50 90 40	- do. -	Key # 4 C	"			●	
"	NB 50 90 50	- do. -	Key # 5 C#	"			●	
"	NB 50 90 60	- do. -	Key # 6 D	"			●	
"	NB 50 90 70	- do. -	Key # 7 D#	"			●	
"	NB 50 90 80	- do. -	Key # 8 E	"			●	
"	NB 50 90 90	- do. -	Key # 9 F	"			●	
"	NB 50 91 00	- do. -	Key # 10 F#	"			●	
"	NB 50 91 10	- do. -	Key # 11 G	"			●	
"	NB 50 91 20	- do. -	Key # 12 G#	"			●	
"	NB 50 91 30	- do. -	Key # 13 A	"			●	
"	NB 50 91 40	- do. -	Key # 14 A#	"			●	
"	NB 50 91 50	- do. -	Key # 15 B	"			●	
"	NB 50 91 60	- do. -	Key # 16 C	"			●	
"	NB 50 91 70	- do. -	Key # 17 C#	"			●	
"	NB 50 91 80	- do. -	Key # 18 D	"			●	
"	NB 50 91 90	- do. -	Key # 19 D#	"			●	
"	NB 50 92 00	- do. -	Key # 20 E	"			●	
"	NB 50 92 10	- do. -	Key # 21 F	"			●	
"	NB 50 92 20	- do. -	Key # 22 F#	"			●	
"	NB 50 92 30	- do. -	Key # 23 G	"			●	
"	NB 50 92 40	- do. -	Key # 24 G#	"			●	
"	NB 50 92 50	- do. -	Key # 25 A	"			●	
"	NB 50 92 60	- do. -	Key # 26 A#	"			●	



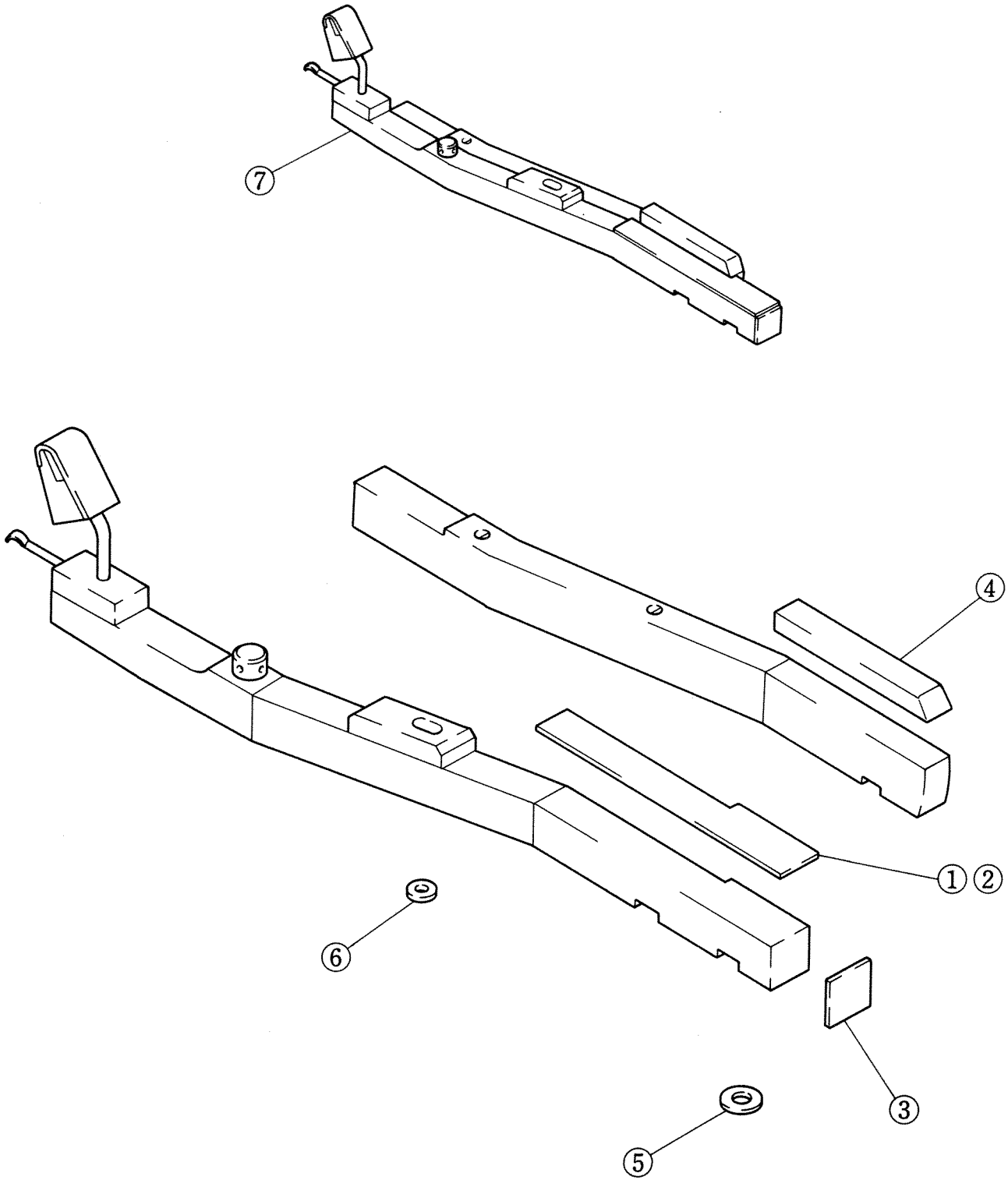
Ref. No.	Part No.	Description	部 品 名	CP-70	CP-70B	CP-80		
11	NB 50 92 70	Damper Head Assy	Key # 27 B	ダンパーヘッド Ass'y		●		
"	NB 50 92 80	- do. -	Key # 28 C	"		●		
"	NB 50 92 90	- do. -	Key # 29 C#	"		●		
"	NB 50 93 00	- do. -	Key # 30 D	"		●		
"	NB 50 93 10	- do. -	Key # 31 D#	"		●		
"	NB 50 93 20	- do. -	Key # 32 E	"		●		
"	NB 50 93 30	- do. -	Key # 33 F	"		●		
"	NB 50 93 40	- do. -	Key # 34 F#	"		●		
"	NB 50 93 50	- do. -	Key # 35 G	"		●		
"	NB 50 93 60	- do. -	Key # 36 G#	"		●		
"	NB 50 93 70	- do. -	Key # 37 A	"		●		
"	NB 50 93 80	- do. -	Key # 38 A#	"		●		
"	NB 50 93 90	- do. -	Key # 39 B	"		●		
"	NB 50 94 00	- do. -	Key # 40 C	"		●		
"	NB 50 94 10	- do. -	Key # 41 C#	"		●		
"	NB 50 94 20	- do. -	Key # 42 D	"		●		
"	NB 50 94 30	- do. -	Key # 43 D#	"		●		
"	NB 50 94 40	- do. -	Key # 44 E	"		●		
"	NB 50 94 50	- do. -	Key # 45 F	"		●		
"	NB 50 94 60	- do. -	Key # 46 F#	"		●		
"	NB 50 94 70	- do. -	Key # 47 G	"		●		
"	NB 50 94 80	- do. -	Key # 48 G#	"		●		
"	NB 50 94 90	- do. -	Key # 49 A	"		●		
"	NB 50 95 00	- do. -	Key # 50 A#	"		●		
"	NB 50 95 10	- do. -	Key # 51 B	"		●		
"	NB 50 95 20	- do. -	Key # 52 C	"		●		
"	NB 50 95 30	- do. -	Key # 53 C#	"		●		
"	NB 50 95 40	- do. -	Key # 54 D	"		●		
"	NB 50 95 50	- do. -	Key # 55 D#	"		●		
"	NB 50 95 60	- do. -	Key # 56 E	"		●		
"	NB 50 95 70	- do. -	Key # 57 F	"		●		
"	NB 50 95 80	- do. -	Key # 58 F#	"		●		
"	NB 50 95 90	- do. -	Key # 59 G	"		●		
"	NB 50 96 00	- do. -	Key # 60 G#	"		●		
"	NB 50 96 10	- do. -	Key # 61 A	"		●		
"	NB 50 96 20	- do. -	Key # 62 A#	"		●		
"	NB 50 96 30	- do. -	Key # 63 B	"		●		
"	NB 50 96 40	- do. -	Key # 64 C	"		●		
"	NB 50 96 50	- do. -	Key # 65 C#	"		●		
"	NB 50 96 60	- do. -	Key # 66 D	"		●		
"	NB 50 96 70	- do. -	Key # 67 D#	"		●		
"	NB 50 96 80	- do. -	Key # 68 E	"		●		
"	NB 50 96 90	- do. -	Key # 69 F	"		●		
"	NB 50 97 00	- do. -	Key # 70 F#	"		●		
"	NB 50 97 10	- do. -	Key # 71 G	"		●		
"	NB 50 97 20	- do. -	Key # 72 G#	"		●		
"	NB 50 97 30	- do. -	Key # 73 A	"		●		

# 10. Hammer Assy, Whippen Assy (ハンマー, サポート Assy)



Ref. No.	Part No.	Description			部 品 名	CP-70	CP-70B	CP-80		
1	NB: 97:00:50	Hammer Assy	CP-70, 70B 1~25 Key	CP-80 1~32 Key	ハンマー Ass'y	●	●	●		
"	NB: 97:00:60	- do. -	26~50 Key	33~58 Key	"	●	●	●		
"	NB: 97:00:70	- do. -	51~63 Key	59~71 Key	"	●	●	●		
"	NB: 97:00:80	- do. -	64~73 Key	72~80 Key	"	●	●	●		
"	NB: 97:02:40	- do. -		81~82 Key	"			●		
"	NB: 97:02:50	- do. -		83~88 Key	"			●		
2	AA: 97:01:90	Shank Flange Screw			シャンクフレンジスクリュー	●	●	●		
3	AA: 97:02:00	Shank Flange Spring Washer			シャンクフレンジバネ座金	●	●	●		
4	AA: 97:02:10	Shank Flange Washer			シャンクフレンジ平座金	●	●	●		
5	NB: 97:00:10	Whippen Assy	CP-70, 70B 1~25 Key	CP-80 1~30 Key	サポート Ass'y	●	●	●		
"	NB: 97:00:20	- do. -	26~50 Key	31~50 Key	"	●	●	●		
"	NB: 97:00:30	- do. -	51~73 Key	51~70 Key	"	●	●	●		
"	NB: 97:02:30	- do. -		71~88 Key	"			●		
6	AA: 97:01:80	Whippen Flange Screw			サポートフレンジスクリュー	●	●	●		
7	AA: 97:01:10	Regulating Rail Screw			レギュレチングレール取付スクリュー	●	●	●		
8	AA: 97:01:50	Bracket Screw			ブラケット取付スクリュー	●	●	●		
9	AA: 97:01:60	Bracket Spring Washer			スプリングワッシャー	●	●	●		
10	CB: 95:00:70	Regulating Button		W/Punching	レギュレチングボタン	●	●	●		
11	EO: 03:52:50	Round Head Wood Screw <sup>For Side Bracket</sup>	3.5 x 25	YE	丸木ネジ	●	●	●		
"	EO: 03:53:20	- do. - <sup>For Middle Bracket</sup>	3.5 x 32	YE	"	●	●	●		
12	AA: 97:02:70	Center Pin	#20	1.25	センターピン	●	●	●		
"	AA: 97:02:80	- do. -	#21	1.30	"	●	●	●		
"	AA: 97:02:90	- do. -	#22	1.35	"	●	●	●		
"	AA: 97:03:00	- do. -	#23	1.40	"	●	●	●		
"	AA: 97:03:10	- do. -	#24	1.45	"	●	●	●		
"	AA: 97:03:20	- do. -	#25	1.50	"	●	●	●		
13	BX: 50:00:10	Action Bracket (Middle)			アクションブラケット(小)	●	●	●		
"	BX: 50:00:20	- do. - (Side)			" (大)	●	●	●		

# 11. Key Assy (鍵盤 Assy)

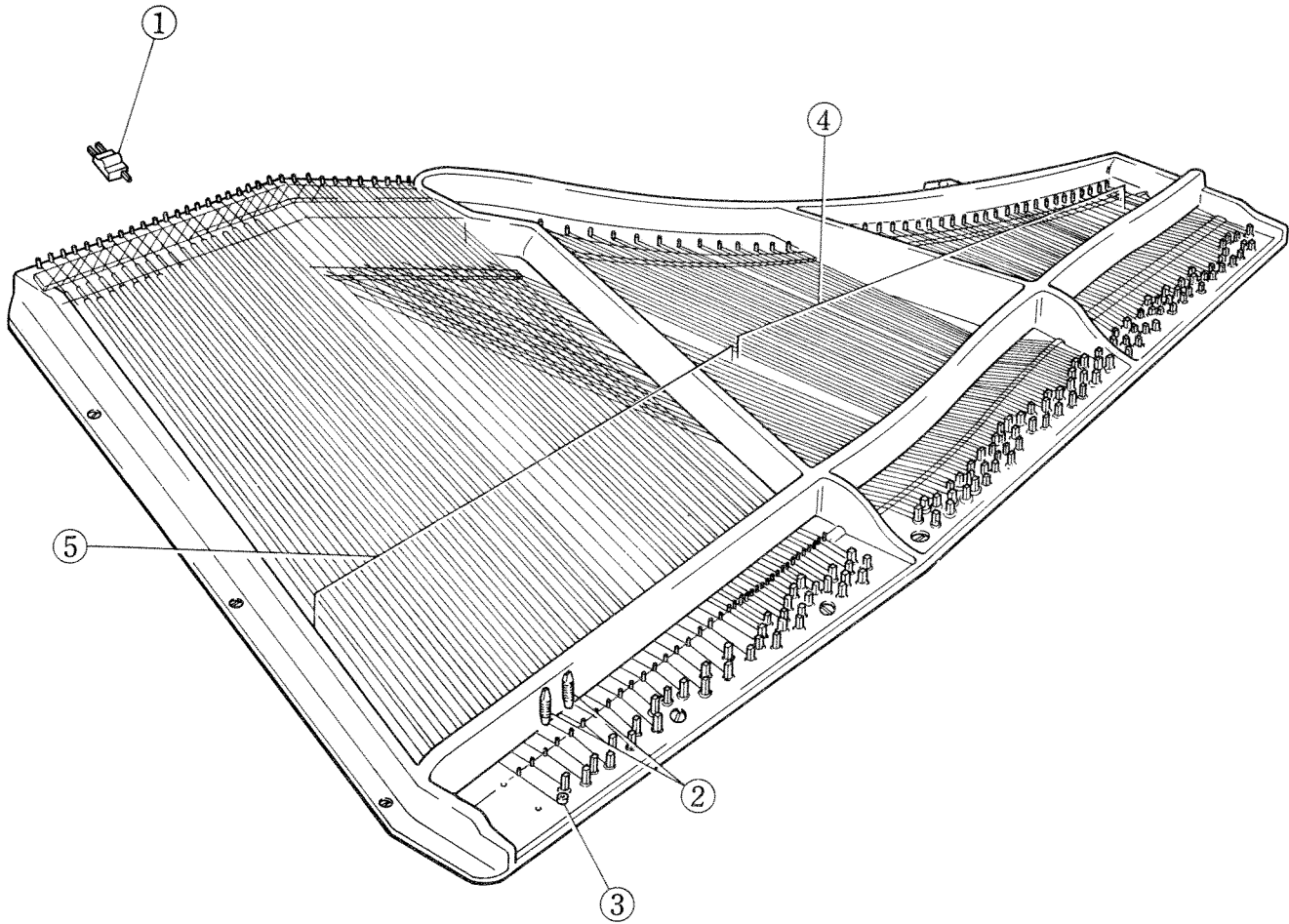


Ref. No.	Part No.	Description	部 品 名	CP-70	CP-70B	CP-80		
1	CB 95:01:80	White Key Top (Octave)	C, D, E, F, G, A, B	白鍵上面オクターブ	●	●	●	
2	CB 95:01:90	- do. - (Semi-Octave)	A', B, C' (E')	" セミオクターブ	●	●	●	
3	CB 95:02:00	White Key Front		白鍵前面	●	●	●	
4	CX 50:00:40	Black Key Top		黒鍵	●	●	●	
5	CD 06:01:30	Cloth Punching	Front	クロスパンチング	●	●	●	
6	CD 90:10:40	- do. -	Barance	"	●	●	●	
7	NX 50:10:10	Key Assy	Key # 1 E	鍵盤 Ass'y	●	●		
"	NX 50:10:20	- do. -	Key # 2 F	"	●	●		
"	NX 50:10:30	- do. -	Key # 3 F#	"	●	●		
"	NX 50:10:40	- do. -	Key # 4 G	"	●	●		
"	NX 50:10:50	- do. -	Key # 5 G#	"	●	●		
"	NX 50:10:60	- do. -	Key # 6 A	"	●	●		
"	NX 50:10:70	- do. -	Key # 7 A#	"	●	●		
"	NX 50:10:80	- do. -	Key # 8 B	"	●	●		
"	NX 50:10:90	- do. -	Key # 9 C	"	●	●		
"	NX 50:11:00	- do. -	Key # 10 C#	"	●	●		
"	NX 50:11:10	- do. -	Key # 11 D	"	●	●		
"	NX 50:11:20	- do. -	Key # 12 D#	"	●	●		
"	NX 50:11:30	- do. -	Key # 13 E	"	●	●		
"	NX 50:11:40	- do. -	Key # 14 F	"	●	●		
"	NX 50:11:50	- do. -	Key # 15 F#	"	●	●		
"	NX 50:11:60	- do. -	Key # 16 G	"	●	●		
"	NX 50:11:70	- do. -	Key # 17 G#	"	●	●		
"	NX 50:11:80	- do. -	Key # 18 A	"	●	●		
"	NX 50:11:90	- do. -	Key # 19 A#	"	●	●		
"	NX 50:12:00	- do. -	Key # 20 B	"	●	●		
"	NX 50:12:10	- do. -	Key # 21 C	"	●	●		
"	NX 50:12:20	- do. -	Key # 22 C#	"	●	●		
"	NX 50:12:30	- do. -	Key # 23 D	"	●	●		
"	NX 50:12:40	- do. -	Key # 24 D#	"	●	●		
"	NX 50:12:50	- do. -	Key # 25 E	"	●	●		
"	NX 50:12:60	- do. -	Key # 26 F	"	●	●		
"	NX 50:12:70	- do. -	Key # 27 F#	"	●	●		
"	NX 50:12:80	- do. -	Key # 28 G	"	●	●		
"	NX 50:12:90	- do. -	Key # 29 G#	"	●	●		
"	NX 50:13:00	- do. -	Key # 30 A	"	●	●		
"	NX 50:13:10	- do. -	Key # 31 A#	"	●	●		
"	NX 50:13:20	- do. -	Key # 32 B	"	●	●		
"	NX 50:13:30	- do. -	Key # 33 C	"	●	●		
"	NX 50:13:40	- do. -	Key # 34 C#	"	●	●		
"	NX 50:13:50	- do. -	Key # 35 D	"	●	●		
"	NX 50:13:60	- do. -	Key # 36 D#	"	●	●		
"	NX 50:13:70	- do. -	Key # 37 E	"	●	●		
"	NX 50:13:80	- do. -	Key # 38 F	"	●	●		
"	NX 50:13:90	- do. -	Key # 39 F#	"	●	●		
"	NX 50:14:00	- do. -	Key # 40 G	"	●	●		
"	NX 50:14:10	- do. -	Key # 41 G#	"	●	●		
"	NX 50:14:20	- do. -	Key # 42 A	"	●	●		
"	NX 50:14:30	- do. -	Key # 43 A#	"	●	●		
"	NX 50:14:40	- do. -	Key # 44 B	"	●	●		
"	NX 50:14:50	- do. -	Key # 45 C	"	●	●		
"	NX 50:14:60	- do. -	Key # 46 C#	"	●	●		
"	NX 50:14:70	- do. -	Key # 47 D	"	●	●		
"	NX 50:14:80	- do. -	Key # 48 D#	"	●	●		

Ref. No.	Part No.	Description	部 品 名	CP-70	CP-70B	CP-80		
7	NX 50 14 90	Key Assy	Key # 49 E	鍵盤 Ass'y	●	●		
"	NX 50 15 00	- do. -	Key # 50 F	"	●	●		
"	NX 50 15 10	- do. -	Key # 51 F#	"	●	●		
"	NX 50 15 20	- do. -	Key # 52 G	"	●	●		
"	NX 50 15 30	- do. -	Key # 53 G#	"	●	●		
"	NX 50 15 40	- do. -	Key # 54 A	"	●	●		
"	NX 50 15 50	- do. -	Key # 55 A#	"	●	●		
"	NX 50 15 60	- do. -	Key # 56 B	"	●	●		
"	NX 50 15 70	- do. -	Key # 57 C	"	●	●		
"	NX 50 15 80	- do. -	Key # 58 C#	"	●	●		
"	NX 50 15 90	- do. -	Key # 59 D	"	●	●		
"	NX 50 16 00	- do. -	Key # 60 D#	"	●	●		
"	NX 50 16 10	- do. -	Key # 61 E	"	●	●		
"	NX 50 16 20	- do. -	Key # 62 F	"	●	●		
"	NX 50 16 30	- do. -	Key # 63 F#	"	●	●		
"	NX 50 16 40	- do. -	Key # 64 G	"	●	●		
"	NX 50 16 50	- do. -	Key # 65 G#	"	●	●		
"	NX 50 16 60	- do. -	Key # 66 A	"	●	●		
"	NX 50 16 70	- do. -	Key # 67 A#	"	●	●		
"	NX 50 16 80	- do. -	Key # 68 B	"	●	●		
"	NX 50 16 90	- do. -	Key # 69 C	"	●	●		
"	NX 50 17 00	- do. -	Key # 70 C#	"	●	●		
"	NX 50 17 10	- do. -	Key # 71 D	"	●	●		
"	NX 50 17 20	- do. -	Key # 72 D#	"	●	●		
"	NX 50 17 30	- do. -	Key # 73 E	"	●	●		
"	NX 50 00 10	- do. -	Key # 1 A	"		●		
"	NX 50 00 20	- do. -	Key # 2 A#	"		●		
"	NX 50 00 30	- do. -	Key # 3 B	"		●		
"	NX 50 00 40	- do. -	Key # 4 C	"		●		
"	NX 50 00 50	- do. -	Key # 5 C#	"		●		
"	NX 50 00 60	- do. -	Key # 6 D	"		●		
"	NX 50 00 70	- do. -	Key # 7 D#	"		●		
"	NX 50 00 80	- do. -	Key # 8 E	"		●		
"	NX 50 00 90	- do. -	Key # 9 F	"		●		
"	NX 50 01 00	- do. -	Key # 10 F#	"		●		
"	NX 50 01 10	- do. -	Key # 11 G	"		●		
"	NX 50 01 20	- do. -	Key # 12 G#	"		●		
"	NX 50 01 30	- do. -	Key # 13 A	"		●		
"	NX 50 01 40	- do. -	Key # 14 A#	"		●		
"	NX 50 01 50	- do. -	Key # 15 B	"		●		
"	NX 50 01 60	- do. -	Key # 16 C	"		●		
"	NX 50 01 70	- do. -	Key # 17 C#	"		●		
"	NX 50 01 80	- do. -	Key # 18 D	"		●		
"	NX 50 01 90	- do. -	Key # 19 D#	"		●		
"	NX 50 02 00	- do. -	Key # 20 E	"		●		
"	NX 50 02 10	- do. -	Key # 21 F	"		●		
"	NX 50 02 20	- do. -	Key # 22 F#	"		●		
"	NX 50 02 30	- do. -	Key # 23 G	"		●		
"	NX 50 02 40	- do. -	Key # 24 G#	"		●		
"	NX 50 02 50	- do. -	Key # 25 A	"		●		
"	NX 50 02 60	- do. -	Key # 26 A#	"		●		
"	NX 50 02 70	- do. -	Key # 27 B	"		●		
"	NX 50 02 80	- do. -	Key # 28 C	"		●		
"	NX 50 02 90	- do. -	Key # 29 C#	"		●		
"	NX 50 03 00	- do. -	Key # 30 D	"		●		
"	NX 50 03 10	- do. -	Key # 31 D#	"		●		
"	NX 50 03 20	- do. -	Key # 32 E	"		●		

Ref. No.	Part No.	Description	部 品 名	CP-70	CP-70B	CP-80		
7	NX 50 03 30	Key Assy	Key # 33 F 鍵 盤 Ass'y			●		
"	NX 50 03 40	- do. -	Key # 34 F# "			●		
"	NX 50 03 50	- do. -	Key # 35 G "			●		
"	NX 50 03 60	- do. -	Key # 36 G# "			●		
"	NX 50 03 70	- do. -	Key # 37 A "			●		
"	NX 50 03 80	- do. -	Key # 38 A# "			●		
"	NX 50 03 90	- do. -	Key # 39 B "			●		
"	NX 50 04 00	- do. -	Key # 40 C "			●		
"	NX 50 04 10	- do. -	Key # 41 C# "			●		
"	NX 50 04 20	- do. -	Key # 42 D "			●		
"	NX 50 04 30	- do. -	Key # 43 D# "			●		
"	NX 50 04 40	- do. -	Key # 44 E "			●		
"	NX 50 04 50	- do. -	Key # 45 F "			●		
"	NX 50 04 60	- do. -	Key # 46 F# "			●		
"	NX 50 04 70	- do. -	Key # 47 G "			●		
"	NX 50 04 80	- do. -	Key # 48 G# "			●		
"	NX 50 04 90	- do. -	Key # 49 A "			●		
"	NX 50 05 00	- do. -	Key # 50 A# "			●		
"	NX 50 05 10	- do. -	Key # 51 B "			●		
"	NX 50 05 20	- do. -	Key # 52 C "			●		
"	NX 50 05 30	- do. -	Key # 53 C# "			●		
"	NX 50 05 40	- do. -	Key # 54 D "			●		
"	NX 50 05 50	- do. -	Key # 55 D# "			●		
"	NX 50 05 60	- do. -	Key # 56 E "			●		
"	NX 50 05 70	- do. -	Key # 57 F "			●		
"	NX 50 05 80	- do. -	Key # 58 F# "			●		
"	NX 50 05 90	- do. -	Key # 59 G "			●		
"	NX 50 06 00	- do. -	Key # 60 G# "			●		
"	NX 50 06 10	- do. -	Key # 61 A "			●		
"	NX 50 06 20	- do. -	Key # 62 A# "			●		
"	NX 50 06 30	- do. -	Key # 63 B "			●		
"	NX 50 06 40	- do. -	Key # 64 C "			●		
"	NX 50 06 50	- do. -	Key # 65 C# "			●		
"	NX 50 06 60	- do. -	Key # 66 D "			●		
"	NX 50 06 70	- do. -	Key # 67 D# "			●		
"	NX 50 06 80	- do. -	Key # 68 E "			●		
"	NX 50 06 90	- do. -	Key # 69 F "			●		
"	NX 50 07 00	- do. -	Key # 70 F# "			●		
"	NX 50 07 10	- do. -	Key # 71 G "			●		
"	NX 50 07 20	- do. -	Key # 72 G# "			●		
"	NX 50 07 30	- do. -	Key # 73 A "			●		
"	NX 50 07 40	- do. -	Key # 74 A# "			●		
"	NX 50 07 50	- do. -	Key # 75 B "			●		
"	NX 50 07 60	- do. -	Key # 76 C "			●		
"	NX 50 07 70	- do. -	Key # 77 C# "			●		
"	NX 50 07 80	- do. -	Key # 78 D "			●		
"	NX 50 07 90	- do. -	Key # 79 D# "			●		
"	NX 50 08 00	- do. -	Key # 80 E "			●		
"	NX 50 08 10	- do. -	Key # 81 F "			●		
"	NX 50 08 20	- do. -	Key # 82 F# "			●		
"	NX 50 08 30	- do. -	Key # 83 G "			●		
"	NX 50 08 40	- do. -	Key # 84 G# "			●		
"	NX 50 08 50	- do. -	Key # 85 A "			●		
"	NX 50 08 60	- do. -	Key # 86 A# "			●		
"	NX 50 08 70	- do. -	Key # 87 B "			●		
"	NX 50 08 80	- do. -	Key # 88 C "			●		

## 12. Frame Section (フレーム部品)





Ref. No.	Part No.	Description			部 品 名	CP-70	CP-70B	CP-80		
1	BD 50:00:20	Piezoelectric Pickup			ピックアップユニット		●	●		
"	BD 50:05:10	- do. -		⇒ BD5000 20	"	●				
2	AA 50:17:50	Tuning Pin	#3	φ7.10	チューニングピン	●	●	●		
"	AA 50:17:60	- do. -	#4	φ7.15	"	●	●	●		
"	AA 50:19:00	- do. -	#5	φ7.20	"	●	●	●		
"	AA 50:18:10	- do. -	#6	φ7.25	"	●	●	●		
3	DB 50:00:60	Tuning Pin Bushing	#1	6.0 m/m	チューニングピンブッシュ	●	●	●		
"	DB 50:00:70	- do. -	#2	6.5	"	●	●	●		
"	DB 50:00:80	- do. -	#3	7.0	"	●	●	●		
"	DB 50:00:90	- do. -	#4	7.5	"	●	●	●		
"	DB 50:01:00	- do. -	#5	8.0	"	●	●	●		
"	DB 50:01:10	- do. -	#6	8.5	"	●	●	●		
"	DB 50:01:20	- do. -	#7	9.0	"	●	●	●		
4	MV 00:00:30	Music Wire #18		CP-80 43K	芯 線			●		
"	MV 00:00:40	- do. - #17	CP-70, 70B 38K ~ 44K	44K ~ 51K	"	●	●	●		
"	MV 00:00:50	- do. - #16 1/2	45K ~ 50K	52K ~ 57K	"	●	●	●		
"	MV 00:00:60	- do. - #16	51K ~ 56K	58K ~ 63K	"	●	●	●		
"	MV 00:00:70	- do. - #15 1/2	57K ~ 64K	64K ~ 71K	"	●	●	●		
"	MV 00:00:80	- do. - #15	65K ~ 69K	72K ~ 76K	"	●	●	●		
"	MV 00:00:90	- do. - #14 1/2		77K ~ 80K	"			●		
"	MV 00:01:00	- do. - #14	70K ~ 73K	81K ~ 84K	"	●	●	●		
"	MV 00:01:10	- do. - #13 1/2		85K ~ 88K	"			●		
5	NB 50:08:80	Bass String	Complete Set		巻 線 1台分	●				
"	NX 50:28:90	- do. -	- do. -		"		●			
"	NX 50:29:00	- do. -	- do. -		"			●		
"	NB 50:08:90	- do. -	Key # 1	E	巻 線	●				
"	NB 50:09:00	- do. -	Key # 2	F	"	●				
"	NB 50:09:10	- do. -	Key # 3	F#	"	●				
"	NB 50:09:20	- do. -	Key # 4	G	"	●				
"	NB 50:09:30	- do. -	Key # 5	G#	"	●				
"	NB 50:09:40	- do. -	Key # 6	A	"	●				
"	NB 50:09:50	- do. -	Key # 7	A#	"	●				
"	NB 50:09:60	- do. -	Key # 8	B	"	●				
"	NB 50:09:70	- do. -	Key # 9	C	"	●				
"	NB 50:09:80	- do. -	Key # 10	C#	"	●				
"	NB 50:09:90	- do. -	Key # 11	D	"	●				
"	NB 50:10:00	- do. -	Key # 12	D#	"	●				
"	NB 50:10:10	- do. -	Key # 13	E	"	●				
"	NB 50:10:20	- do. -	Key # 14	F	"	●				
"	NB 50:10:30	- do. -	Key # 15	F#	"	●				
"	NB 50:10:40	- do. -	Key #16	G (Left)	"	●				
"	NB 50:10:50	- do. -	Key #16	G (Right)	"	●				
"	NB 50:10:60	- do. -	Key #17	G#(Left)	"	●				
"	NB 50:10:70	- do. -	Key #17	G#(Right)	"	●				
"	NB 50:10:80	- do. -	Key #18	A (Left)	"	●				
"	NB 50:10:90	- do. -	Key #18	A (Right)	"	●				
"	NB 50:11:00	- do. -	Key #19	A#(Left)	"	●				
"	NB 50:11:10	- do. -	Key #19	A#(Right)	"	●				
"	NB 50:11:20	- do. -	Key #20	B (Left)	"	●				
"	NB 50:11:30	- do. -	Key #20	B (Right)	"	●				
"	NB 50:11:40	- do. -	Key #21	C (Left)	"	●				
"	NB 50:11:50	- do. -	Key #21	C (Right)	"	●				
"	NB 50:11:60	- do. -	Key #22	C#(Left)	"	●				
"	NB 50:11:70	- do. -	Key #22	C#(Right)	"	●				
"	NB 50:11:80	- do. -	Key #23	D (Left)	"	●				

Ref. No.	Part No.	Description	部 品 名	CP-70	CP-70B	CP-80		
5	NB 50 11 90	Bass String	Key # 23 D (Right) 卷 線	●				
"	NB 50 12 00	- do. -	Key # 24 D <sup>#</sup> (Left) "	●				
"	NB 50 12 10	- do. -	Key # 24 D <sup>#</sup> (Right) "	●				
"	NB 50 12 20	- do. -	Key # 25 E (Left) "	●				
"	NB 50 12 30	- do. -	Key # 25 E (Right) "	●				
"	NB 50 12 40	- do. -	Key # 26 F (Left) "	●				
"	NB 50 12 50	- do. -	Key # 26 F (Right) "	●				
"	NB 50 12 60	- do. -	Key # 27 F <sup>#</sup> (Left) "	●				
"	NB 50 12 70	- do. -	Key # 27 F <sup>#</sup> (Right) "	●				
"	NB 50 12 80	- do. -	Key # 28 G (Left) "	●				
"	NB 50 12 90	- do. -	Key # 28 G (Right) "	●				
"	NB 50 13 00	- do. -	Key # 29 G <sup>#</sup> (Left) "	●				
"	NB 50 13 10	- do. -	Key # 29 G <sup>#</sup> (Right) "	●				
"	NB 50 13 20	- do. -	Key # 30 A (Left) "	●				
"	NB 50 13 30	- do. -	Key # 30 A (Right) "	●				
"	NB 50 13 40	- do. -	Key # 31 A <sup>#</sup> (Left) "	●				
"	NB 50 13 50	- do. -	Key # 31 A <sup>#</sup> (Right) "	●				
"	NB 50 13 60	- do. -	Key # 32 B (Left) "	●				
"	NB 50 13 70	- do. -	Key # 32 B (Right) "	●				
"	NB 50 13 80	- do. -	Key # 33 C (Left) "	●				
"	NB 50 13 90	- do. -	Key # 33 C (Right) "	●				
"	NB 50 14 00	- do. -	Key # 34 C <sup>#</sup> (Left) "	●				
"	NB 50 14 10	- do. -	Key # 34 C <sup>#</sup> (Right) "	●				
"	NB 50 14 20	- do. -	Key # 35 D (Left) "	●				
"	NB 50 14 30	- do. -	Key # 35 D (Right) "	●				
"	NB 50 14 40	- do. -	Key # 36 D <sup>#</sup> (Left) "	●				
"	NB 50 14 50	- do. -	Key # 36 D <sup>#</sup> (Right) "	●				
"	NB 50 14 60	- do. -	Key # 37 E (Left) "	●				
"	NB 50 14 70	- do. -	Key # 37 E (Right) "	●				
"	NB 50 40 30	- do. -	Key # 1 E "		●			
"	NB 50 40 40	- do. -	Key # 2 F "		●			
"	NB 50 40 50	- do. -	Key # 3 F <sup>#</sup> "		●			
"	NB 50 40 60	- do. -	Key # 4 G "		●			
"	NB 50 40 70	- do. -	Key # 5 G <sup>#</sup> "		●			
"	NB 50 40 80	- do. -	Key # 6 A "		●			
"	NB 50 40 90	- do. -	Key # 7 A <sup>#</sup> "		●			
"	NB 50 41 00	- do. -	Key # 8 B "		●			
"	NB 50 41 10	- do. -	Key # 9 C "		●			
"	NB 50 41 20	- do. -	Key # 10 C <sup>#</sup> "		●			
"	NB 50 41 30	- do. -	Key # 11 D "		●			
"	NB 50 41 40	- do. -	Key # 12 D <sup>#</sup> "		●			
"	NB 50 41 50	- do. -	Key # 13 E "		●			
"	NB 50 41 60	- do. -	Key # 14 F "		●			
"	NB 50 41 70	- do. -	Key # 15 F <sup>#</sup> "		●			
"	NB 50 41 80	- do. -	Key # 16 G (Left) "		●			
"	NB 50 41 90	- do. -	Key # 16 G (Right) "		●			
"	NB 50 42 00	- do. -	Key # 17 G <sup>#</sup> (Left) "		●			
"	NB 50 42 10	- do. -	Key # 17 G <sup>#</sup> (Right) "		●			
"	NB 50 42 20	- do. -	Key # 18 A (Left) "		●			
"	NB 50 42 30	- do. -	Key # 18 A (Right) "		●			
"	NB 50 42 40	- do. -	Key # 19 A <sup>#</sup> (Left) "		●			
"	NB 50 42 50	- do. -	Key # 19 A <sup>#</sup> (Right) "		●			
"	NB 50 42 60	- do. -	Key # 20 B (Left) "		●			

Ref. No.	Part No.	Description	部 品 名	CP-70	CP-70B	CP-80		
5	NB 50 42 70	Bass String	Key # 20 B (Right) 巻 線		●			
"	NB 50 42 80	- do. -	Key # 21 C (Left) //		●			
"	NB 50 42 90	- do. -	Key # 21 C (Right) //		●			
"	NB 50 43 00	- do. -	Key # 22 C# (Left) //		●			
"	NB 50 43 10	- do. -	Key # 22 C# (Right) //		●			
"	NB 50 43 20	- do. -	Key # 23 D (Left) //		●			
"	NB 50 43 30	- do. -	Key # 23 D (Right) //		●			
"	NB 50 43 40	- do. -	Key # 24 D# (Left) //		●			
"	NB 50 43 50	- do. -	Key # 24 D# (Right) //		●			
"	NB 50 43 60	- do. -	Key # 25 E (Left) //		●			
"	NB 50 43 70	- do. -	Key # 25 E (Right) //		●			
"	NB 50 43 80	- do. -	Key # 26 F (Left) //		●			
"	NB 50 43 90	- do. -	Key # 26 F (Right) //		●			
"	NB 50 44 00	- do. -	Key # 27 F# (Left) //		●			
"	NB 50 44 10	- do. -	Key # 27 F# (Right) //		●			
"	NB 50 44 20	- do. -	Key # 28 G (Left) //		●			
"	NB 50 44 30	- do. -	Key # 28 G (Right) //		●			
"	NB 50 44 40	- do. -	Key # 29 G# (Left) //		●			
"	NB 50 44 50	- do. -	Key # 29 G# (Right) //		●			
"	NB 50 44 60	- do. -	Key # 30 A (Left) //		●			
"	NB 50 44 70	- do. -	Key # 30 A (Right) //		●			
"	NB 50 44 80	- do. -	Key # 31 A# (Left) //		●			
"	NB 50 44 90	- do. -	Key # 31 A# (Right) //		●			
"	NB 50 45 00	- do. -	Key # 32 B (Left) //		●			
"	NB 50 45 10	- do. -	Key # 32 B (Right) //		●			
"	NB 50 45 20	- do. -	Key # 33 C (Left) //		●			
"	NB 50 45 30	- do. -	Key # 33 C (Right) //		●			
"	NB 50 45 40	- do. -	Key # 34 C# (Left) //		●			
"	NB 50 45 50	- do. -	Key # 34 C# (Right) //		●			
"	NB 50 45 60	- do. -	Key # 35 D (Left) //		●			
"	NB 50 45 70	- do. -	Key # 35 D (Right) //		●			
"	NB 50 45 80	- do. -	Key # 36 D# (Left) //		●			
"	NB 50 45 90	- do. -	Key # 36 D# (Right) //		●			
"	NB 50 46 00	- do. -	Key # 37 E (Left) //		●			
"	NB 50 46 10	- do. -	Key # 37 E (Right) //		●			
"	NB 50 47 20	- do. -	Key # 1 A //			●		
"	NB 50 47 30	- do. -	Key # 2 A# //			●		
"	NB 50 47 40	- do. -	Key # 3 B //			●		
"	NB 50 47 50	- do. -	Key # 4 C //			●		
"	NB 50 47 60	- do. -	Key # 5 C# //			●		
"	NB 50 47 70	- do. -	Key # 6 D //			●		
"	NB 50 47 80	- do. -	Key # 7 D# //			●		
"	NB 50 47 90	- do. -	Key # 8 E //			●		
"	NB 50 48 00	- do. -	Key # 9 F //			●		
"	NB 50 48 10	- do. -	Key # 10 F# //			●		
"	NB 50 48 20	- do. -	Key # 11 G //			●		
"	NB 50 48 30	- do. -	Key # 12 G# //			●		
"	NB 50 48 40	- do. -	Key # 13 A //			●		
"	NB 50 48 50	- do. -	Key # 14 A# //			●		
"	NB 50 48 60	- do. -	Key # 15 B //			●		
"	NB 50 48 70	- do. -	Key # 16 C //			●		
"	NB 50 48 80	- do. -	Key # 17 C# //			●		
"	NB 50 48 90	- do. -	Key # 18 D //			●		

Ref. No.	Part No.	Description	部 品 名	CP-70	CP-70B	CP-80		
5	NB 50 49 00	Bass String	Key #19 D <sup>#</sup>			●		
"	NB 50 49 10	- do. -	Key #20 E			●		
"	NB 50 49 20	- do. -	Key #21 F			●		
"	NB 50 49 30	- do. -	Key #22 F <sup>#</sup>			●		
"	NB 50 49 40	- do. -	Key #23 G (Left)			●		
"	NB 50 49 50	- do. -	Key #23 G (Right)			●		
"	NB 50 49 60	- do. -	Key #24 G <sup>#</sup> (Left)			●		
"	NB 50 49 70	- do. -	Key #24 G <sup>#</sup> (Right)			●		
"	NB 50 49 80	- do. -	Key #25 A (Left)			●		
"	NB 50 49 90	- do. -	Key #25 A (Right)			●		
"	NB 50 50 00	- do. -	Key #26 A <sup>#</sup> (Left)			●		
"	NB 50 50 10	- do. -	Key #26 A <sup>#</sup> (Right)			●		
"	NB 50 50 20	- do. -	Key #27 B (Left)			●		
"	NB 50 50 30	- do. -	Key #27 B (Right)			●		
"	NB 50 50 40	- do. -	Key #28 C (Left)			●		
"	NB 50 50 50	- do. -	Key #28 C (Right)			●		
"	NB 50 50 60	- do. -	Key #29 C <sup>#</sup> (Left)			●		
"	NB 50 50 70	- do. -	Key #29 C <sup>#</sup> (Right)			●		
"	NB 50 50 80	- do. -	Key #30 D (Left)			●		
"	NB 50 50 90	- do. -	Key #30 D (Right)			●		
"	NB 50 51 00	- do. -	Key #31 D <sup>#</sup> (Left)			●		
"	NB 50 51 10	- do. -	Key #31 D <sup>#</sup> (Right)			●		
"	NB 50 51 20	- do. -	Key #32 E (Left)			●		
"	NB 50 51 30	- do. -	Key #32 E (Right)			●		
"	NB 50 51 40	- do. -	Key #33 F (Left)			●		
"	NB 50 51 50	- do. -	Key #33 F (Right)			●		
"	NB 50 51 60	- do. -	Key #34 F <sup>#</sup> (Left)			●		
"	NB 50 51 70	- do. -	Key #34 F <sup>#</sup> (Right)			●		
"	NB 50 51 80	- do. -	Key #35 G (Left)			●		
"	NB 50 51 90	- do. -	Key #35 G (Right)			●		
"	NB 50 52 00	- do. -	Key #36 G <sup>#</sup> (Left)			●		
"	NB 50 52 10	- do. -	Key #36 G <sup>#</sup> (Right)			●		
"	NB 50 52 20	- do. -	Key #37 A (Left)			●		
"	NB 50 52 30	- do. -	Key #37 A (Right)			●		
"	NB 50 52 40	- do. -	Key #38 A <sup>#</sup> (Left)			●		
"	NB 50 52 50	- do. -	Key #38 A <sup>#</sup> (Right)			●		
"	NB 50 52 60	- do. -	Key #39 B (Left)			●		
"	NB 50 52 70	- do. -	Key #39 B (Right)			●		
"	NB 50 52 80	- do. -	Key #40 C (Left)			●		
"	NB 50 52 90	- do. -	Key #40 C (Right)			●		
"	NB 50 53 00	- do. -	Key #41 C <sup>#</sup> (Left)			●		
"	NB 50 53 10	- do. -	Key #41 C <sup>#</sup> (Right)			●		
"	NB 50 53 20	- do. -	Key #42 D (Left)			●		
"	NB 50 53 30	- do. -	Key #42 D (Right)			●		



CP-70/70B/80 PARTS LIST

1982年4月 初版発行

発行所：日本楽器製造株式会社  
電音サービス課

印刷：東海電子印刷株式会社