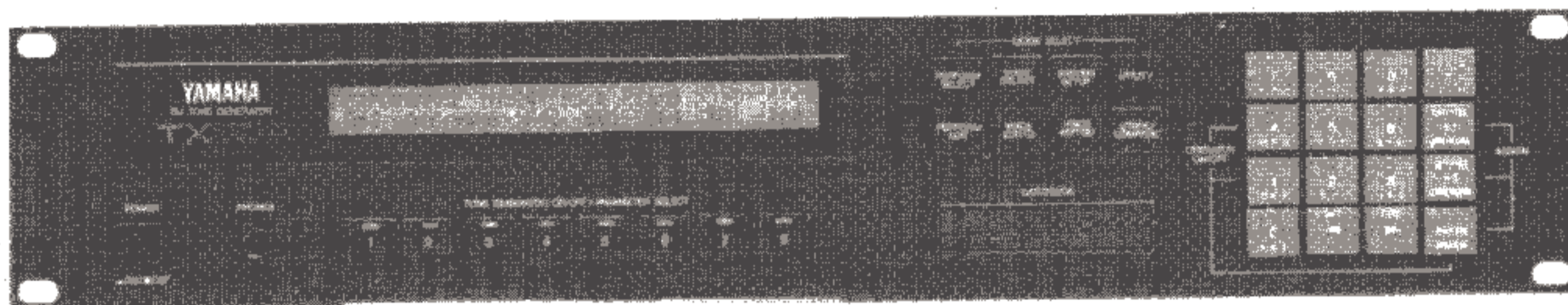


TX892

FM TONE GENERATOR

TX802

SERVICE MANUAL



■CONTENTS (目次)

SPECIFICATIONS (仕様)	2
PANEL LAYOUT (パネルレイアウト)	2
BLOCK DIAGRAM (ブロックダイアグラム)	4
MEMORY CONFIGURATION (メモリー構成)	6
BANK A/B VOICE LIST (プリセットボイス)	8
MIDI IMPLEMENTATION CHART	9
LSI DATA TABLE (LSI端子機能表)	10
IC BLOCK DIAGRAM (ICブロック図)	12
CIRCUIT BOARDS (シート基板図)	14
TEST PROGRAM (テストプログラム)	20
PARTS LIST (パーツリスト)	

006760

IMPORTANT NOTICE

This manual has been provided for the use of authorized Yamaha Retailers and their service personnel. It has been assumed that basic service procedures inherent to the industry, and more specifically Yamaha Products, are already known and understood by the users, and have therefore not been restated.

WARNING: Failure to follow appropriate service and safety procedures when servicing this product may result in personal injury, destruction of expensive components and failure of the product to perform as specified. For these reasons, we advise all Yamaha product owners that all service required should be performed by an authorized Yamaha Retailer or the appointed service representative.

IMPORTANT: The presentation or sale of this manual to any individual or firm does not constitute authorization, certification, recognition of any applicable technical capabilities, or establish a principle-agent relationship of any form.

The data provided is believed to be accurate and applicable to the unit(s) indicated on the cover. The research, engineering, and service departments of Yamaha are continually striving to improve Yamaha products. Modifications are, therefore, inevitable and changes in specification are subject to change without notice or obligation to retrofit. Should any discrepancy appear to exist, please contact the distributor's Service Division.

WARNING: Static discharges can destroy expensive components. Discharge any static electricity your body may have accumulated by grounding yourself to the ground buss in the unit (heavy gauge black wires connect to this buss).

IMPORTANT: Turn the unit OFF during disassembly and parts replacement. Recheck all work before you apply power to the unit.

This product uses a lithium battery for memory back-up.

WARNING: Lithium batteries are dangerous because they can be exploded by improper handling. Observe the following precautions when handling or replacing lithium batteries.

- Leave lithium battery replacement to qualified service personnel.
- Always replace with batteries of the same type.
- When installing on the PC board, solder using the connection terminals provided on the battery cells. Never solder directly to the cells. Perform the soldering as quickly as possible.
- Never reverse the battery polarities when installing.
- Do not short the batteries.
- Do not attempt to recharge these batteries.
- Do not disassemble the batteries.
- Never heat batteries or throw them into fire.

ADVARSEL!

Lithiumbatteri. Eksplosionsfare.

Udskiftning må kun foretages af en sagkyndig, og som beskrevet i servicemanualen.

SPECIFICATIONS (仕様)

Tone Generator

FM tone generator (6 operators, 32 algorithms)

Simultaneous Note Output

16 notes, assignable to up to 8 timbres

Internal Memory

64 performance memory
64 internal (user) voice memory
128 preset voice memory

External Memory

RAM cartridge: 64 performance, 64 voice

Front Panel Controls and Terminal

Power ON/OFF switch
Tone Generator ON/OFF, Parameter Select keys (8)
Mode Select/Edit/Store keys (8)
Data Entry keys (Ten-key pads 0—9, Cursor < >, +1, -1, -, ENTER).
CARTRIDGE slot
PHONES jack

Rear Panel Terminals

MIDI IN, OUT, THRU
MIXED OUTPUTS I, II
INDIVIDUAL OUTPUTS 1—8

Cartridge Capacity

RAM1: 4K bytes (Read only)
RAM4: 16K bytes

Display

LCD: 40 characters x 2 lines (illuminated)

Power Requirements & Consumption

General Model: 220—240 V (50/60 Hz), 15 W
U.S. & Canadian Models: 120 V (50/60 Hz), 15 W

Dimensions (W x H x D)

480 x 94.5 x 287 mm (18-7/8" x 3-3/4" x 11-1/4")

Weight

4.9 kg (10 lbs 12 oz.)

Standard Accessories

MIDI Cable MIDI-03

●音源方式、発音数

6オペレータ、32アルゴリズム、FM音源×8、独立出力付き

同時発音数 最大16音

同時発音可能な音色数 最大8音色

キーアサイン方式 後着優先

●外形寸法、重量

ラックマウント方式 2 U

幅 480mm×奥行 287mm×高さ 94.5 mm

重量 4.9kg

●定格消費電力

100 V 8 W

●内部メモリー

64パフォーマンスメモリー

64インターナルボイスメモリー

128プリセットボイスメモリー (読み出し専用)

カートリッジにより、さらに64パフォーマンス、

64ボイスの使用が可能

●パネル表示器、パネルキー

40文字×2行 バック照明付き LCD

TONE GENERATOR ON/OFF および PARAMETER SELECT キー (8個、LED 付き)

MODE SELECT および STORE/COMPARE キー

DATA ENTRY キー (10キー、エンターキー、カーソルキー、+1/-1キー)

POWER SWITCH

●カートリッジ

4KByte (RAM1:読み出し専用)

16KByte (RAM4)

その他、1バンク16KByte として16バンクまでのRAMまたはROMカートリッジの使用可能

●出力端子

INDIVIDUAL OUTPUT 1 ~ 8

MIXED OUTPUT I, II

PHONES (MIXED OUTPUT I, II をそれぞれ L, Rに出力)

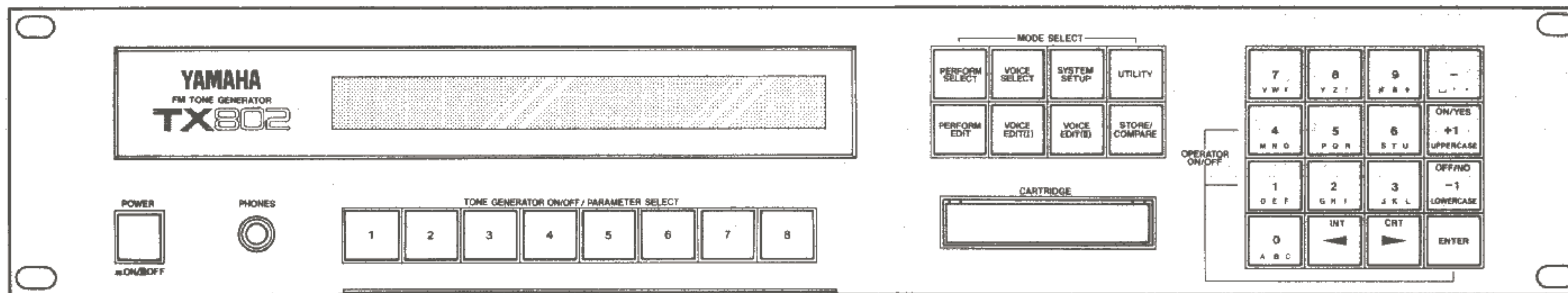
MIDI IN、MIDI OUT、MIDI THRU

●付属品

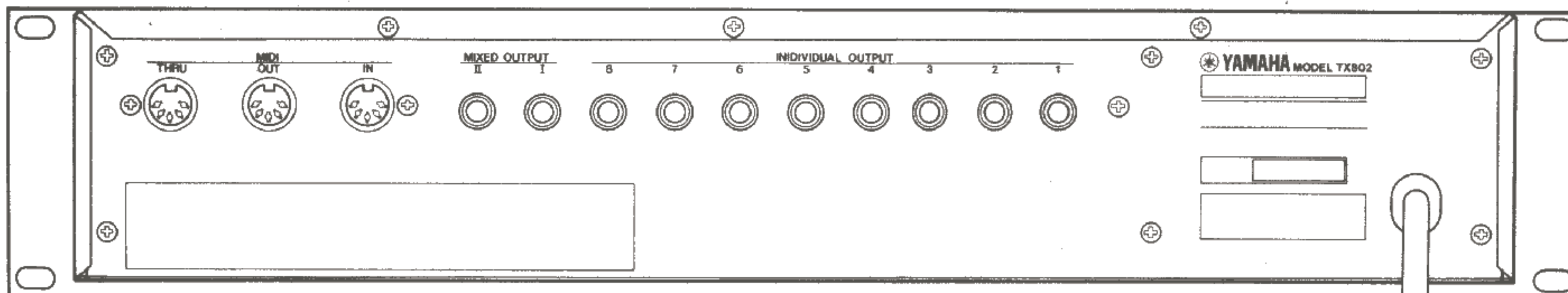
MIDIケーブル MIDI03×2

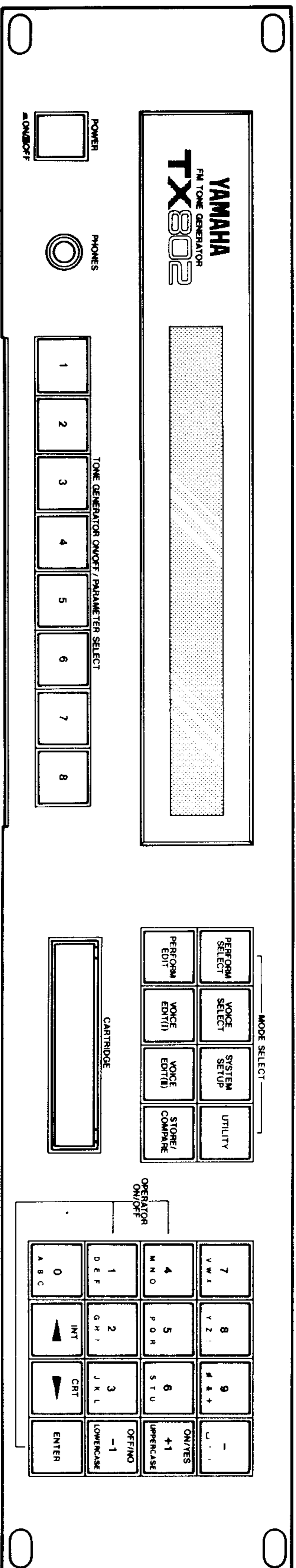
PANEL LAYOUT (パネルレイアウト)

●FRONT PANEL (フロントパネル)

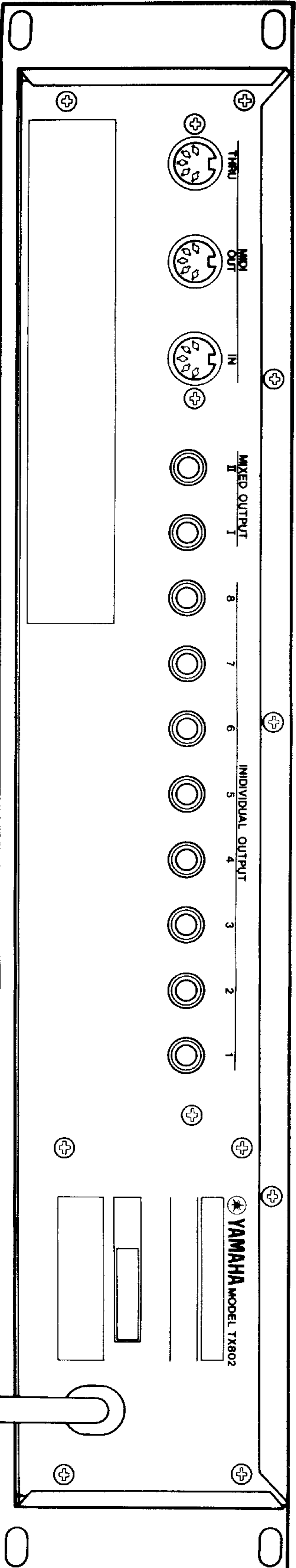


●REAR PANEL (リアパネル)

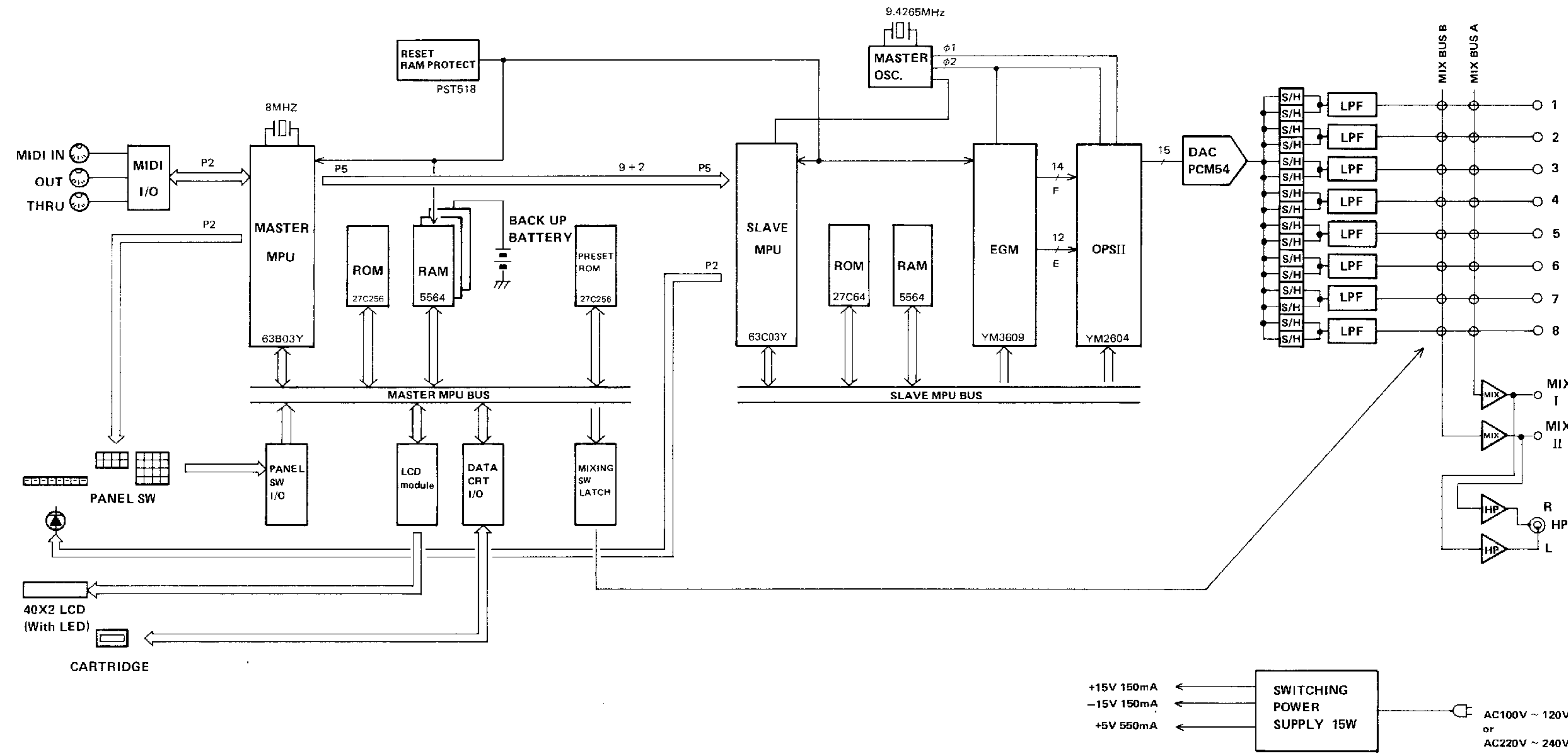




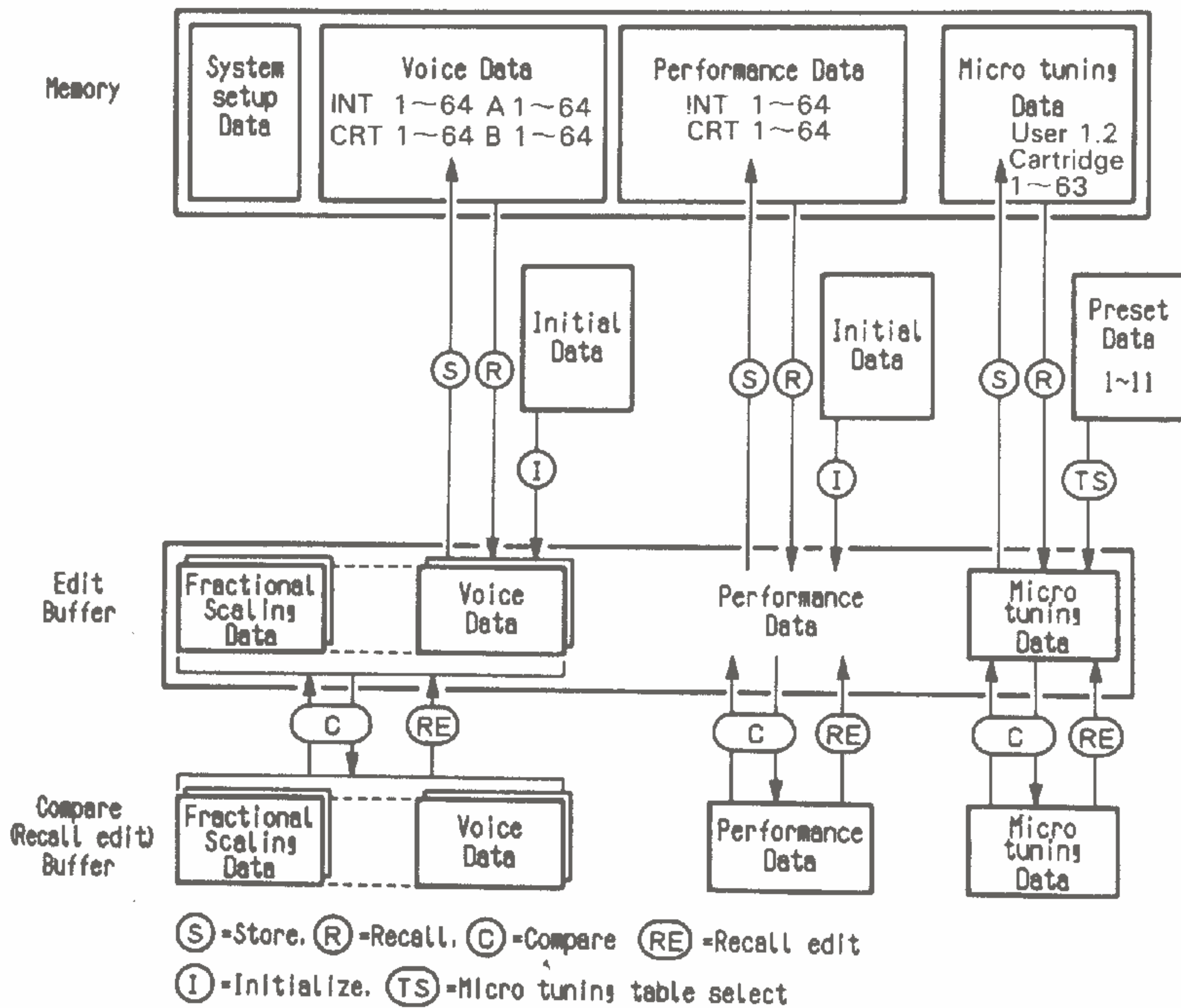
PANEL (リファパネル)



■ BLOCK DIAGRAM (ブロックダイアグラム)

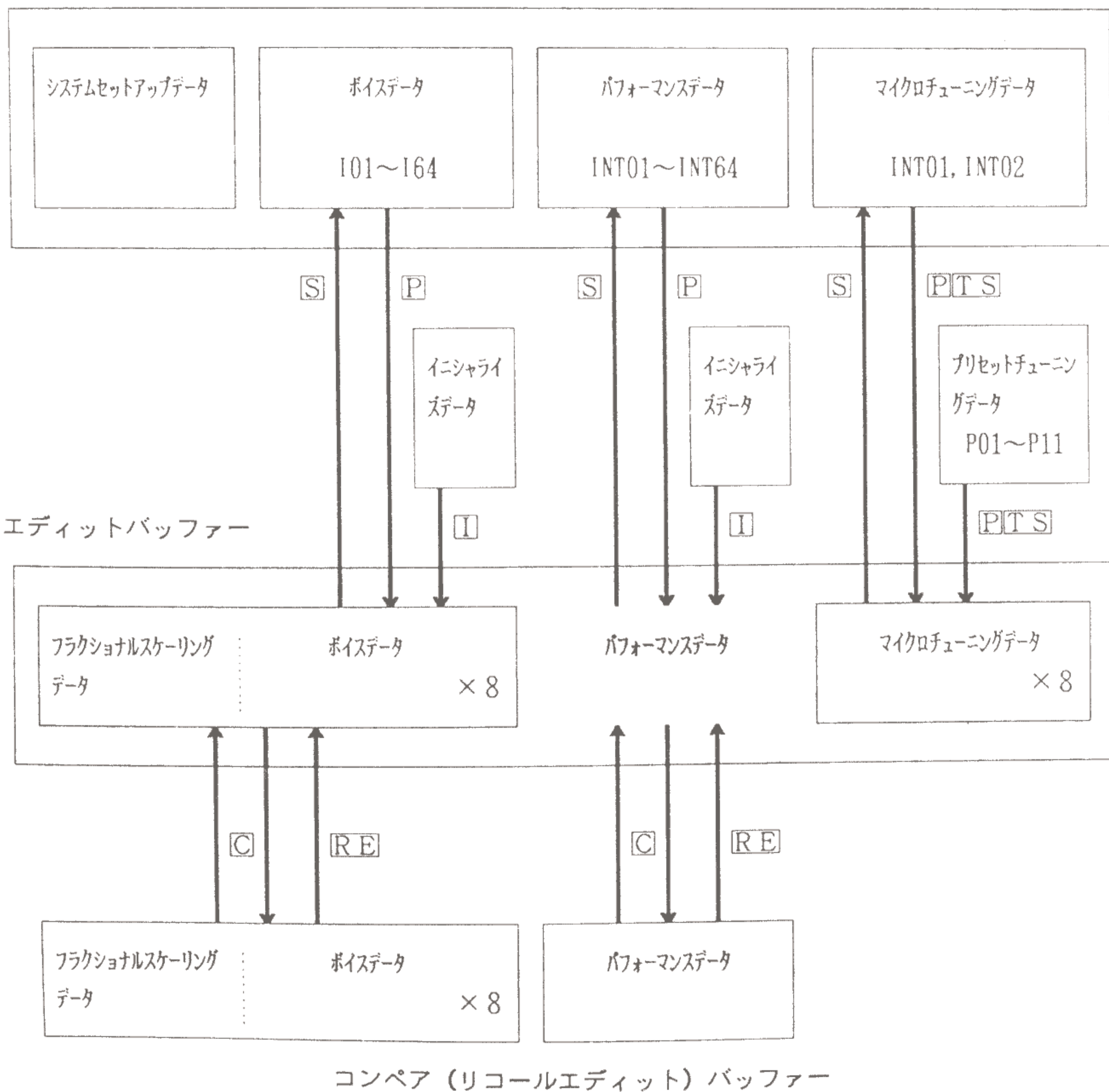


MEMORY CONFIGURATION



■ メモリー構成

メモリー



[S] : ストア [P] : プレイ [C] : コンペア [RE] : リコールエディット
 [I] : イニシャライズ [TS] : マイクロチューニングセレクト

- カートリッジのセーブ (Save) は上図の「メモリー」の部分保存します。
- 鍵盤を弾いたときに出る音は、「エディットバッファ」内のデータで構成されたものです。

■BANK A/B VOICE LIST (プリセットボイス)

BANK A

BANK B

1	MellowHorn	33	Piano 1	1	SuperBass	33	Analog-X
2	SilvaBrass	34	Piano 2	2	StringBass	34	FMilters
3	ReverbBras	35	KnockRoad	3	SkweekBass	35	Phasers
4	Tuba	36	RubbaRoad	4	SmoochBass	36	Ensemble
5	Trombone	37	HardRoads	5	BopBass	37	MalletHorn
6	HardTrumps	38	FullTines	6	OwlBass	38	FM-Growth
7	Trumpet A	39	ClaviStuff	7	JazzBass	39	ElectoComb
8	SilvaTrmpt	40	Clavi	8	HardBass	40	ClariSolo
9	Trumpet B	41	Clavecin	9	GuitarBox	41	PitchaPad
10	FrenchHorn	42	ClaviPluck	10	PickGuitar	42	ClaviBrass
11	Strings	43	NasalClav	11	FingaPicka	43	WhapSynth
12	HallOrch	44	HarpsiBox	12	LeadaPicka	44	Whasers
13	NewOrchest	45	HarpsiWire	13	YesBunk	45	Fifths
14	Analog-Str	46	WireStrg A	14	12 Strings	46	ElecBrass
15	LiveStrg	47	WireStrg B	15	Classipika	47	ElectroBak
16	BowedBass	48	TouchOrgan	16	Shami	48	HarmoSynth
17	EleCello A	49	ShOrgan	17	Maribumba	49	PianoBells
18	EleCello B	50	TapOrgan	18	DX Marimba	50	St.Elmo's
19	Violins	51	BriteOrgan	19	Nu Marimba	51	MilkyWays
20	Bassoon	52	MagicOrgan	20	StonePhone	52	Pluk
21	Clarinet	53	SoftOrgan	21	VibraPhone	53	TingVoice
22	Oboe	54	PipeOrgan	22	Celeste	54	Plukatan
23	Flute	55	PuffOrgan1	23	Swissnare	55	OctiLate
24	SongFlute	56	PuffPipes	24	Tom C4	56	LateDown
25	SpitFlute	57	PuffOrgan2	25	CongaDrum	57	Glastine
26	PanFlood	58	Harmonium1	26	Tub Bells	58	BellWahh
27	Piccolo	59	Harmonium2	27	Gong	59	RubberGong
28	Sax	60	Whisper A	28	Timpani	60	Wallop
29	Harmonica	61	Choir	29	Claves	61	Explosion
30	Harp	62	LadyVox	30	Bells	62	KoikeCycle
31	EbonyIvory	63	MaleChoir	31	SteelCans	63	Thunderon
32	PianoBrite	64	Whisper B	32	Handrum	64	Science

[FM tone generator]

Model TX802 MIDI Implementation Chart Version : 1.0

Function ...	Transmitted	Recognized	Remarks
Basic Default	1 - 16	1 - 16	memorized
Channel Changed	1 - 16	1 - 16	
Mode Default	x	1, 2, 3, 4	memorized
Mode Messages		POLY, MONO(M=1)	
Mode Altered	XXXXXXXXXXXXXXXXXX	x	
Note Number	x	0 - 127	
Note True voice	XXXXXXXXXXXXXXXXXX	0 - 127	
Velocity Note ON	x	o v=1-127	
Velocity Note OFF	x	x	
After Key's	x	x	
Touch Ch's	x	o	
Pitch Bender	x	o 0-12 semi X2:7 bit resolution	
Control Change	1 : x 2 : x 4 : x 5 : x 7 : 64 : x 65 : x	o o o o o o o	X1 : Modulation wheel X1 : Breath control X1 : Foot control X1 : Portamento time X1 : Volume X1 : Sustain sw X1 : Portamento sw
Prog Change	x True # : XXXXXXXXXXXXXXXXXXXX	o 0 - 127 o 0 - 127	if prgram change: sw is on.
System Exclusive	o X4	o X4	
System Common	Song Pos : x Song Sel : x Tune : x	x x x	
System Real Time	Clock : x Commands : x	x x	
Aux Messages	Local ON/OFF : x All Notes OFF : x Active Sense : x Reset : x	x o (126,127) o x	
Notes:	X1 = receive if control change switch is on. X2 = receive if pitch bend switch is on. X3 = 11-64 (0-63) , C1-64 (64-127) for Performance. 11-64 , C1-64 , A1-64 , B1-64 (0-63) for Voice. X4 = Bulk dump & param. change of Voice, Perf, System, mtune, frac.		

LSI DATA TABLE (LSI端子機能表)

● HD63B03YP-N (XD245001) CPU

● HD63C03YP (XB529001) CPU

PIN NO.	NAME	I/O	FUNCTION	PIN NO.	NAME	I/O	FUNCTION	
1	V _{ss}	I	Ground	33	V _{cc}		DC Supply (+5V)	
2	XTAL	I	} Clock (8MHz)	34	V15	O	} Address bus	
3	EXTAL	I						
4	MP0	I						
5	MP1	I	} Mode program	35	A14	O	} Address bus	
6	RES	I	Reset	36	A13	O		
7	STBY	I	Stand-by mode signal	37	A12	O		
8	NMi	I	Non-maskable interrupt	38	A11	O		
9	P20	I/O	} Port 2	39	A10	O		
10	P21	I/O						
11	P22	I/O						
12	P23	I/O						
13	P24	I/O						
14	P25	I/O						
15	P26	I/O						
16	P27	I/O	} Port 5	40	A9	O	} Address bus	
17	P50	I/O						
18	P51	I/O						
19	P52	I/O						
20	P53	I/O						
21	P54	I/O						
22	P55	I/O						
23	P56	I/O	} Port 6	41	A8	O	} Address bus	
24	P57	I/O						
25	P60	I/O						
26	P61	I/O						
27	P62	I/O						
28	P63	I/O						
29	P64	I/O						
30	P65	I/O	} Data bus	42	V _{ss}		} Ground	
31	P66	I/O						
32	P67	I/O						
					43	A7		O
					44	A6		O
					45	A5		O
					46	A4	O	
				47	A3	O		
				48	A2	O	} Data bus	
				49	A1	O		
				50	A0	O		
				51	D7	I/O		
				52	D6	I/O		
				53	D5	I/O		
				54	D4	I/O		
				55	D3	I/O	} Bus available	
				56	D2	I/O		
				57	D1	I/O		
				58	D0	I/O		
				59	BA	O		
				60	LIR	O		
				61	R/W	O	Load instruction resistor	
				62	WR	O	Read/Write control	
				63	RD	O	Write	
				64	E	O	Read	
							Enable	

● PCM54HP (XA566001) Digital Analog Converter

PIN NO.	NAME	I/O	FUNCTION	PIN NO.	NAME	I/O	FUNCTION
1	V _{pot}		Not used	15	DA4		Bit 13
2	DA16		Bit 1 (MSB)	16	DA3		Bit 14
3	DA15		Bit 2	17	DA2		Bit 15
4	NC		Not used	18	LSB		Bit 16
5	DA14		Bit 3	19	V ₀		Voltage Output
6	DA13		Bit 4	20	FBR		Not used
7	DA12		Bit 5	21	INV		Summing Junction
8	DA11		Bit 6	22	GND		Common
9	DA10		Bit 7	23	I ₀		Current Output
10	DA9		Bit 8	24	NC		Not Used
11	DA8		Bit 9	25	OFF.S		Not Used
12	DA7		Bit 10	26	+V _{cc}		+15V
13	DA6		Bit 11	27	ADJ		Not Used
14	DA5		Bit 12	28	-V _{cc}		-15V

● YM2604 (XA489001) OPSII (Operator-S)

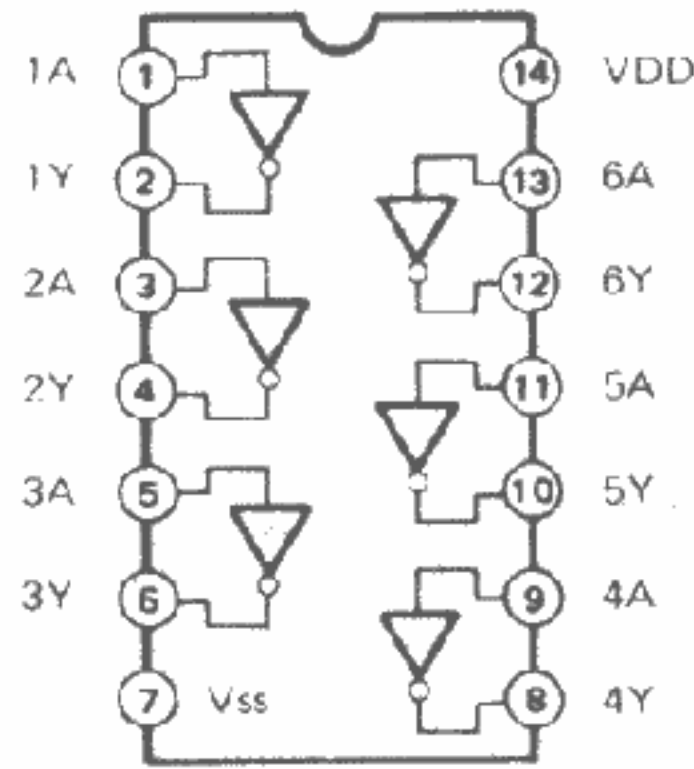
PIN NO.	NAME	I/O	FUNCTION	PIN NO.	NAME	I/O	FUNCTION	
1	Vss	I	DC supply (0V)	33	DA7	O	} Digital code for analog convert	
2	D6	I/O	} Data buses	34	DA8	O		
3	D7	I/O		35	DA9	O		
4	DS	I		36	DA10	O		
5	WR	I	Read write control	37	DA11	O		
6	—	—	} Non connection	38	DA12	O		
7	—	—		39	DA13	O		
8	—	—		40	DA14	O		
9	SH1	O	} Sample and hold data	41	DA15	O		
10	SH2	O		42	DA16	O		
11	SYNC	O	} Frequency data (from EGS)	43	E1	I		} Envelope data (from EGS)
12	F1	I		44	E2	I		
13	F2	I		45	E3	I		
14	F3	I		46	E4	I		
15	F4	I		47	E5	I		
16	F5	I		48	E6	I		
17	Vss	I		DC supply (0V)	49	E7	I	
18	F6	I		} Frequency data (from EGS)	50	E8	I	
19	F7	I	51		E9	I		
20	F8	I	52		E10	I		
21	F9	I	53		E11	I		
22	F10	I	54		E12	I		
23	F11	I	55		KON	I	Key ON data	
24	F12	I	} Digital code for analog convert	56	D0	I/O	} Data buses	
25	F13	I		57	D1	I/O		
26	F14	I		58	D2	I/O		
27	DA2	O		59	D3	I/O		
28	DA3	O		60	D4	I/O		
29	DA4	O		61	D5	I/O		
30	DA5	O	62	VDD	I	DC supply (+5V)		
31	DA6	O	63	φ1	I	Master clock pulse		
32	Vss	I	64	φ2	I			

● YM3609 (XA898001) Envelope Generator

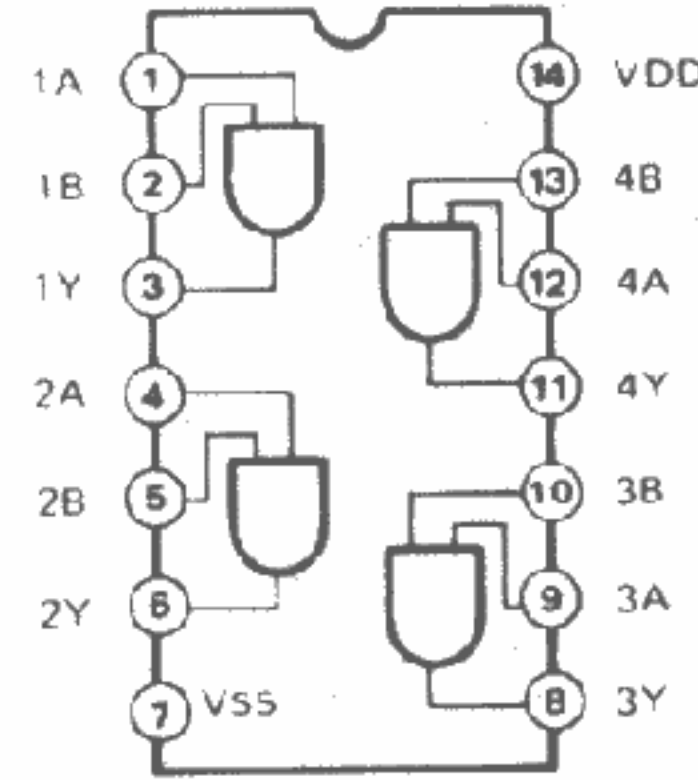
PIN NO.	NAME	I/O	FUNCTION	PIN NO.	NAME	I/O	FUNCTION
1	Vcc		Power supply	33	Vss		Ground
2	NC		} Envelope data	34	φ2	I	Clock IN
3	E6	O		35	TEST	I	Test pin
4	E7	O		36	D0	I	} Data bus
5	E8	O		37	D1	I	
6	E9	O		38	D2	I	
7	E10	O		39	D3	I	
8	E11	O		40	NC		} Data bus
9	E12	O		41	NC		
10	NC			42	NC		
11	NC		43	D4	I		
12	NC		44	D5	I		
13	KON	O	Key on data	45	D6	I	
14	F1	O	} Frequency data	46	D7	I	
15	F2	O		47	NC		} Address bus
16	F3	O		48	A0	I	
17	F4	O		49	A1	I	
18	F5	O		50	A2	I	
19	F6	O		51	A3	I	
20	F7	O		52	A4	I	
21	F8	O		53	NC		} Chip enable
22	F9	O	54	NC			
23	NC		55	CE1	I		
24	NC		56	CE2	I		
25	NC		57	NC		} Synchro pulse	
26	F10	O	58	NC			
27	F11	O	} Frequency data	59	SYNC	I	
28	F12	O		60	E1	O	} Envelope data
29	F13	O	61	E2	O		
30	F14	O	62	E3	O		
31	IC	I	Initial clear	63	E4	O	
32	Vcc		Power supply	64	E5	O	

IC BLOCK DIAGRAM (ICブロック図)

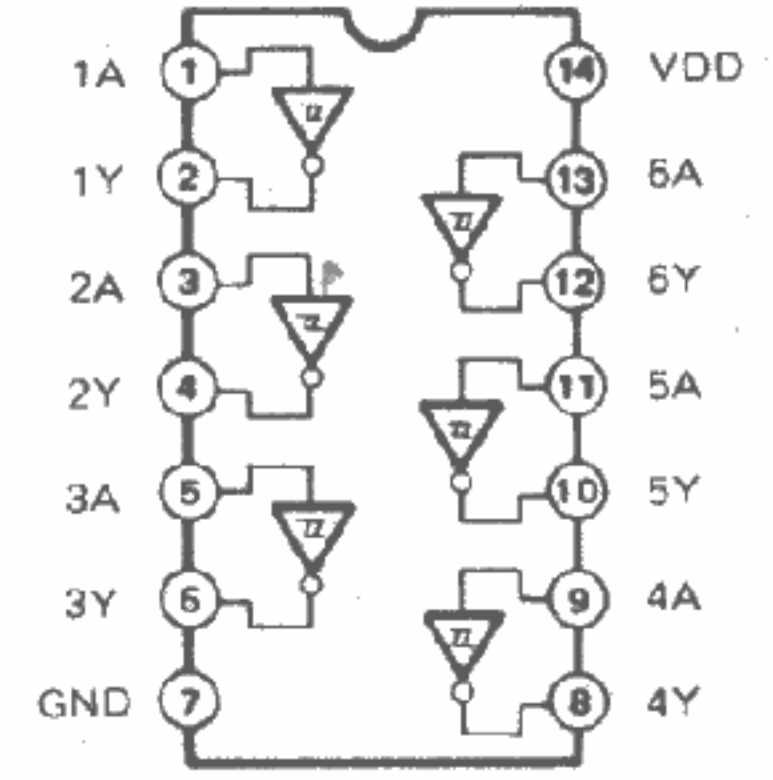
- HD74LS04P (IG027010)
- TC40H004P (IG051000)
- SN74HC04N (IR000450)
Hex Inverter



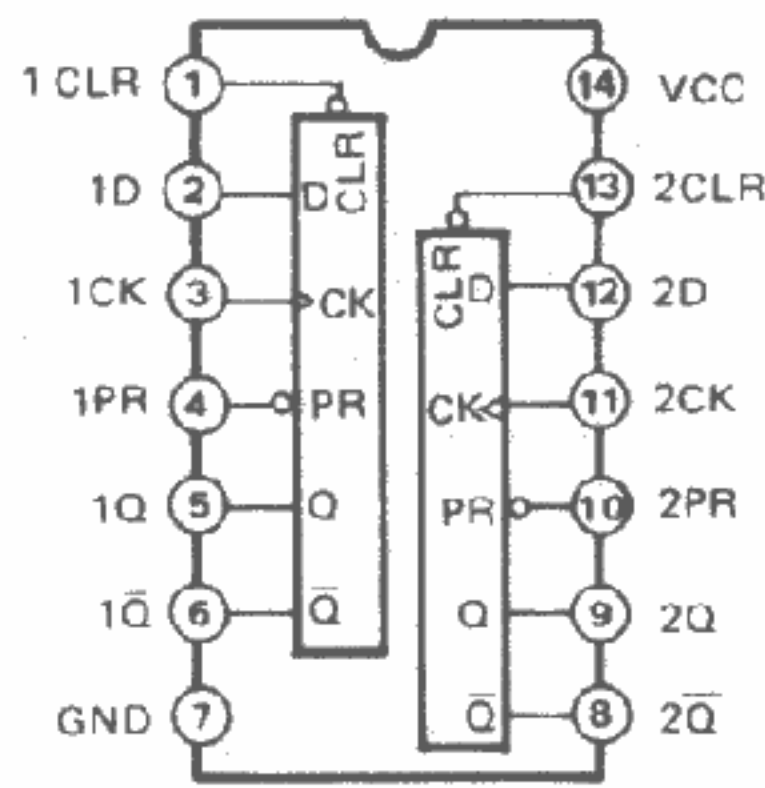
- SN74HC08N (IR000850)
Quad 2 Input AND



- SN74HC14N (IR001450)
Hex Inverter

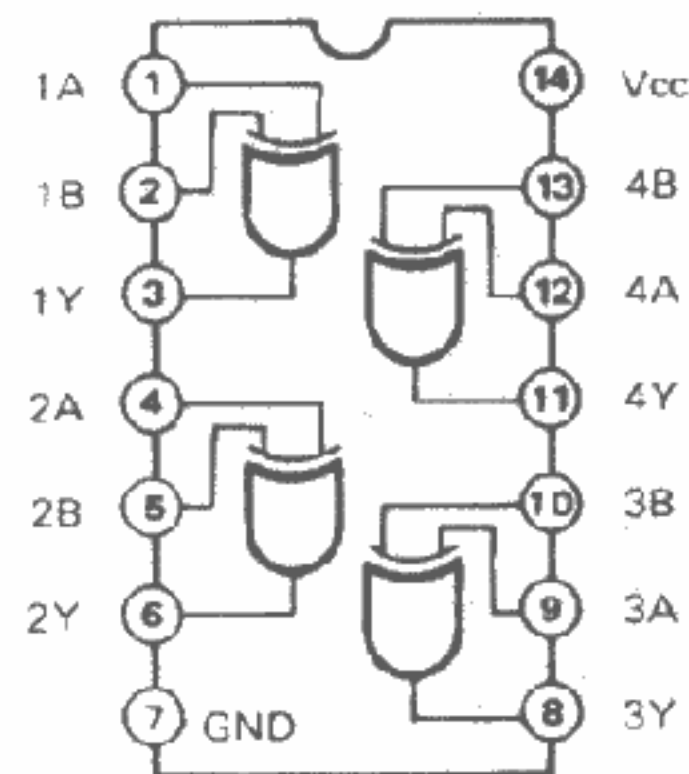


- TC40H074P (IG051100)
Dual D-Type Flip-Flop

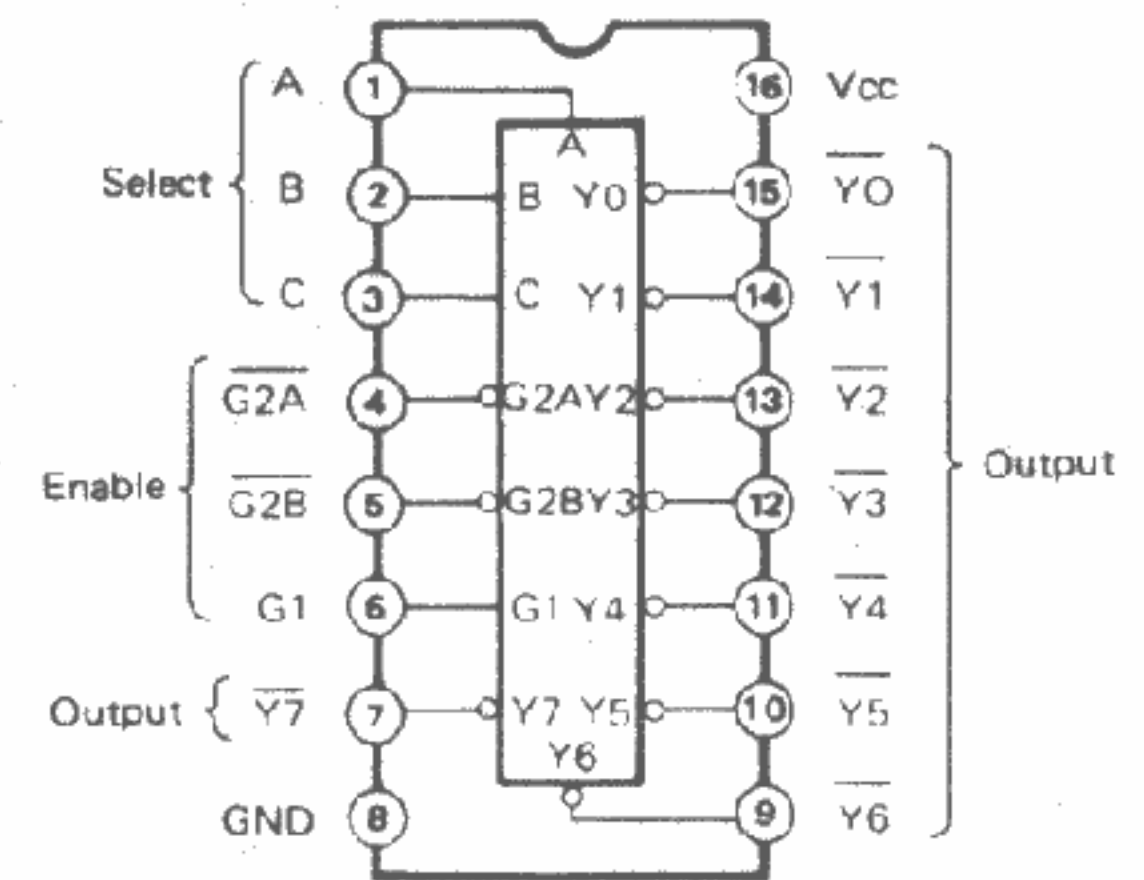


INPUTS				OUTPUTS	
PR	CLR	CLK	D	Q	Q̄
L	H	X	X	H	L
H	L	X	X	L	H
L	L	X	X	H	H
H	H	↑	H	H	L
H	H	↑	L	L	H
H	H	L	X	Q _o	Q̄ _o

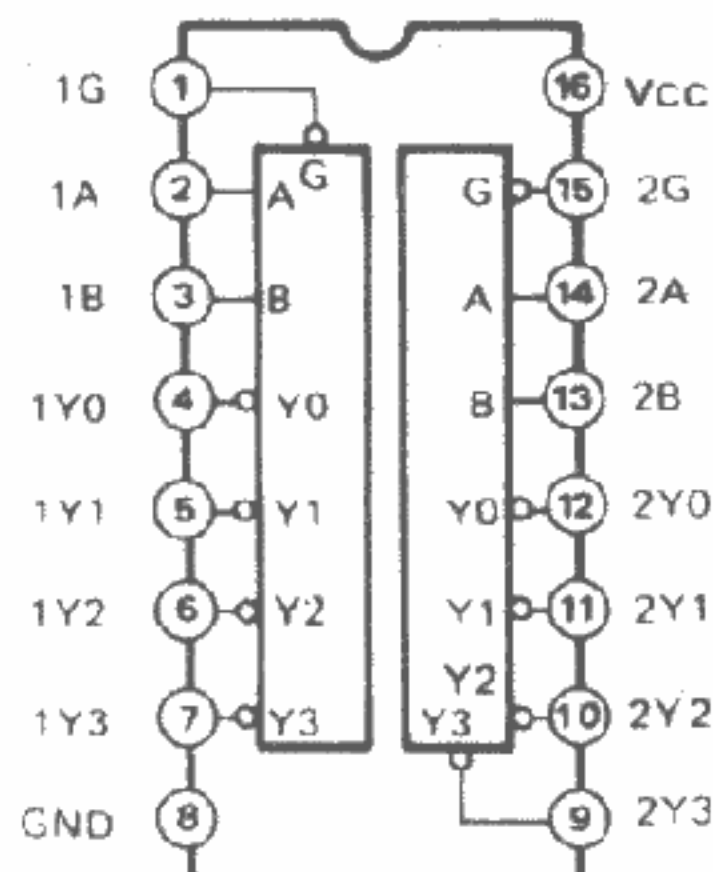
- TC74HC86 (IR008600)
Quad 2 Input EX-OR



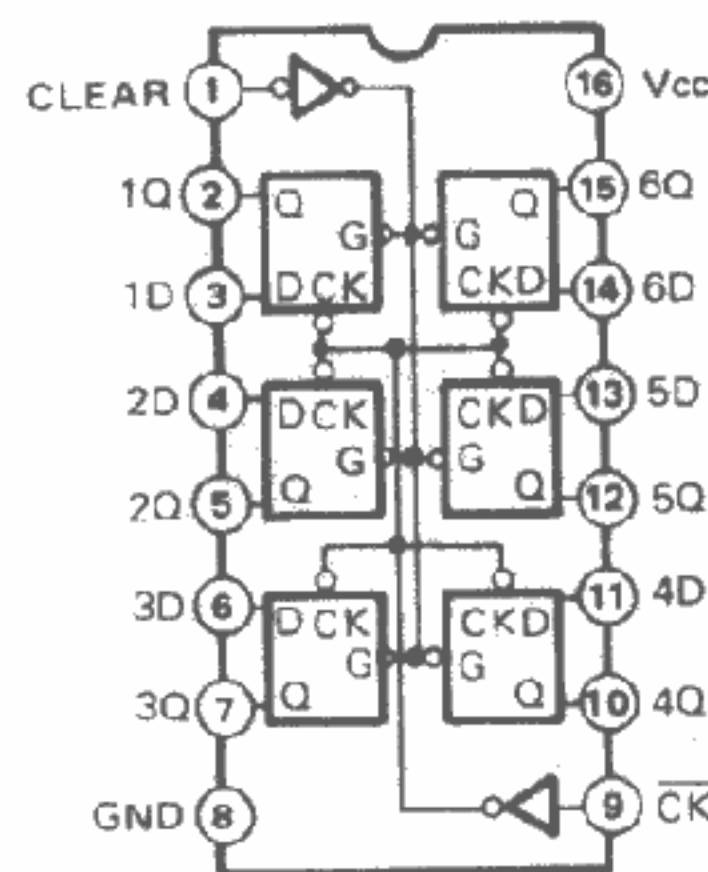
- TC40H138P (IG111900)
- SN74HC138N (IR013850)
3 to 8 Demultiplexer



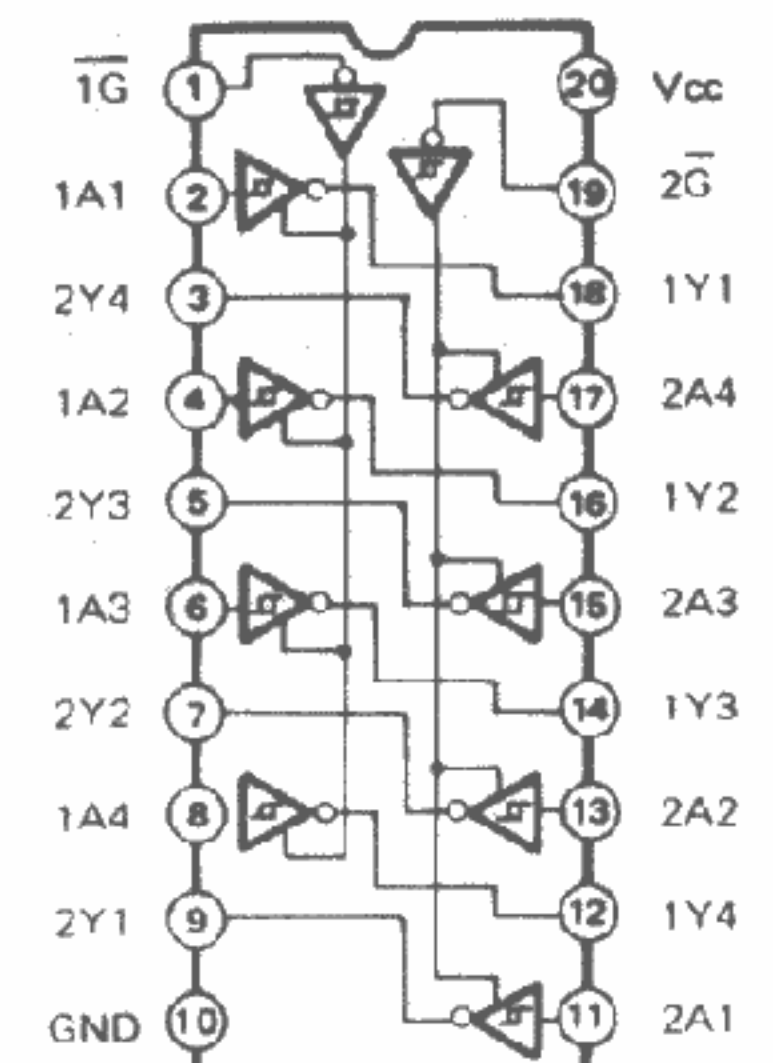
- SN74HC139N (IR013950)
Dual 2 to 4 Demultiplexer



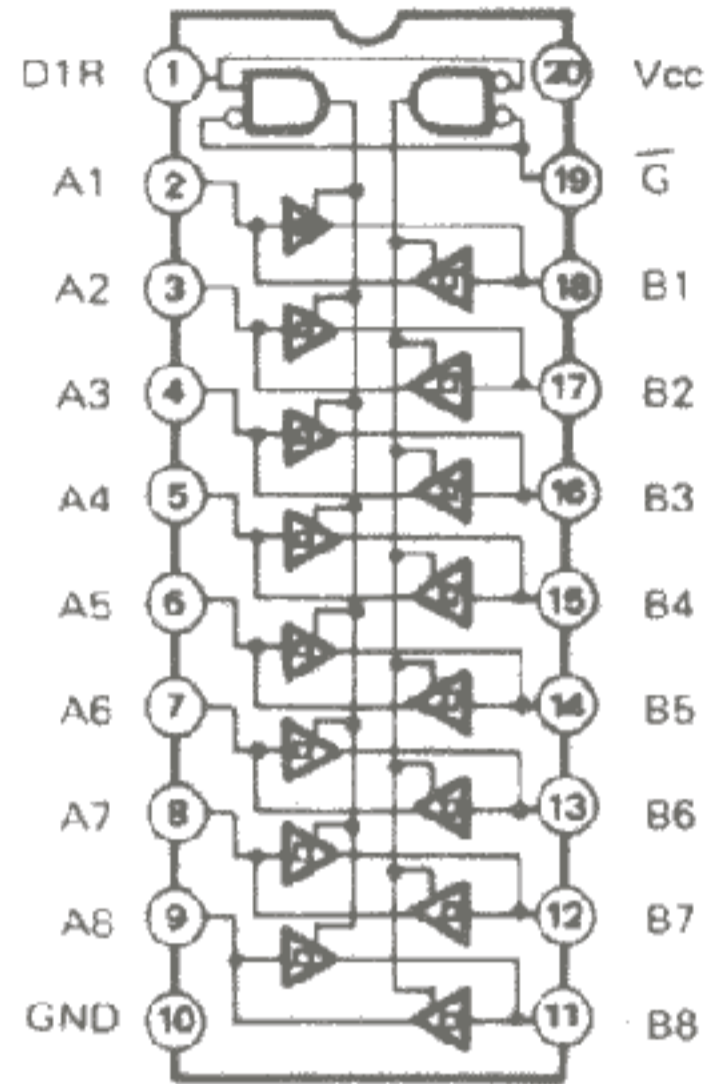
- SN74HC174N (IR017450)
Hex D-Type Flip-Flop



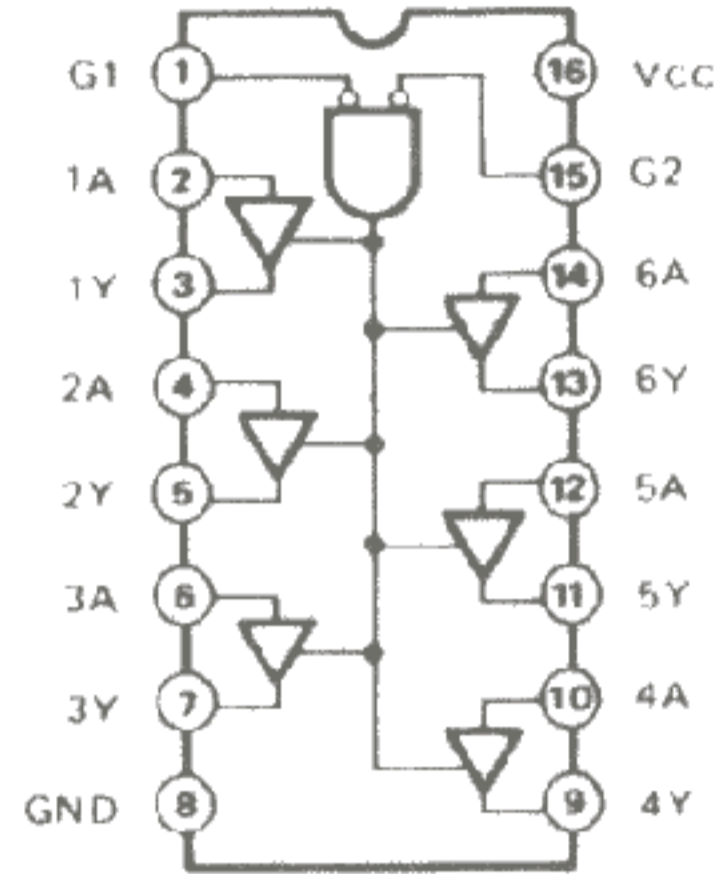
- TC40H240P (IG068100)
Octal Bus Inverter



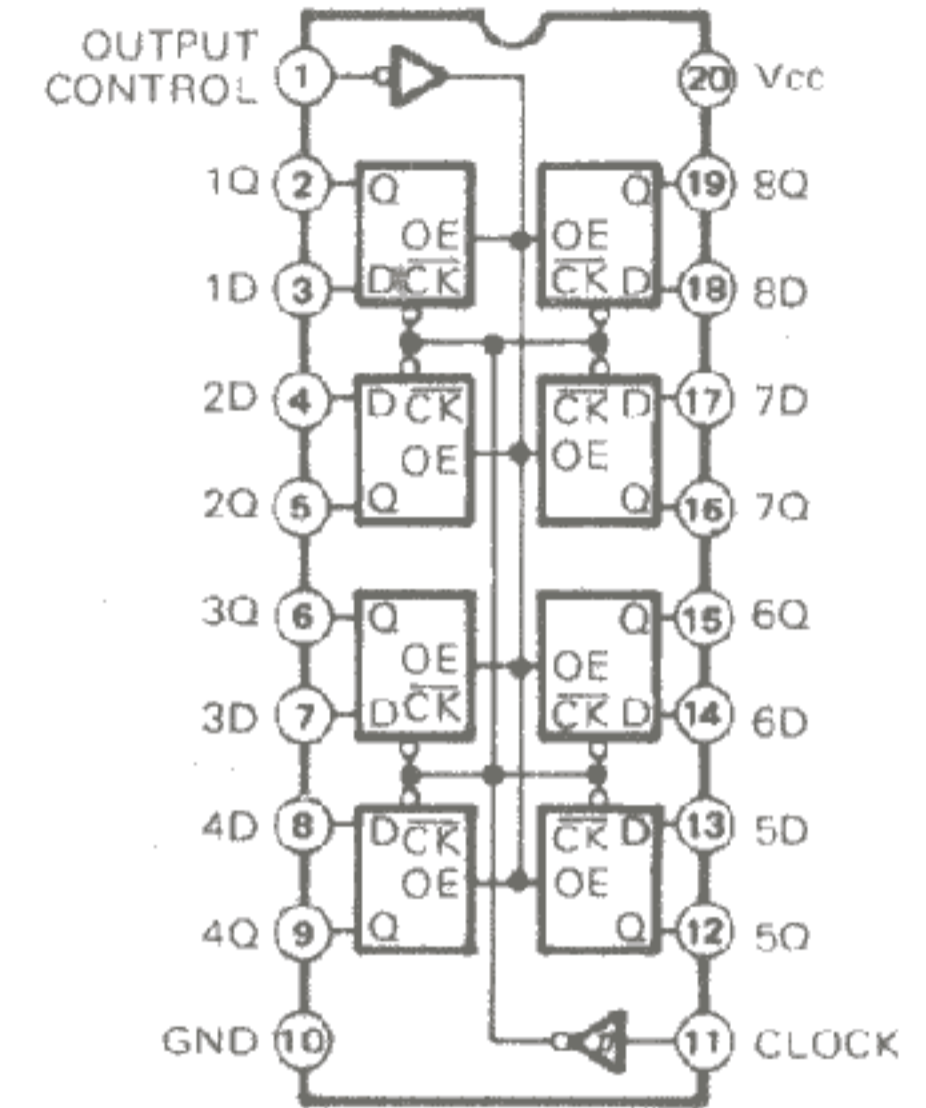
- **TC40H245P (IG130700)**
- **SN74HC245N (IR024550)**
Octal 3-State Bus Transceiver



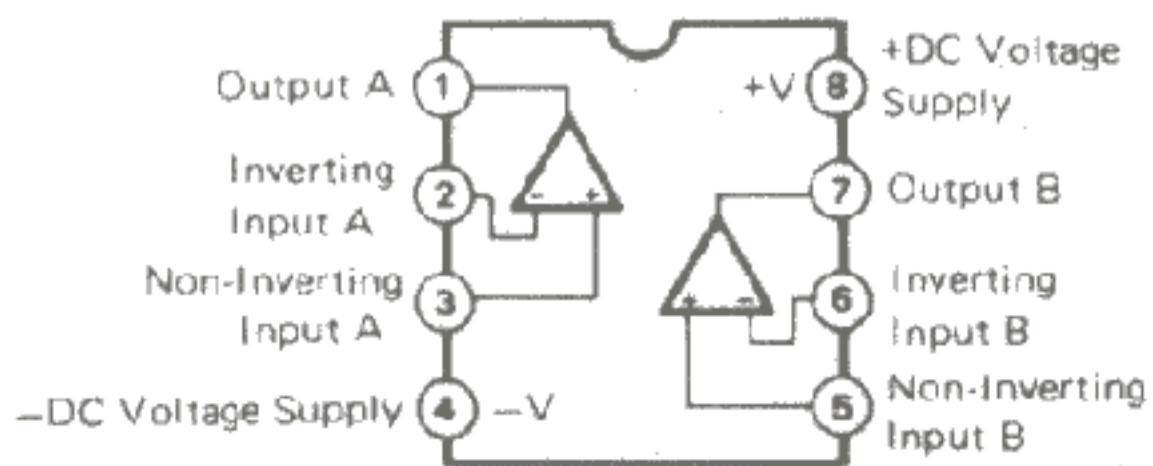
- **SN74HC365N (IR036550)**
Hex 3-State Bus Buffer



- **TC40H374P (IG078600)**
Octal 3-State D-Type Flip-Flop

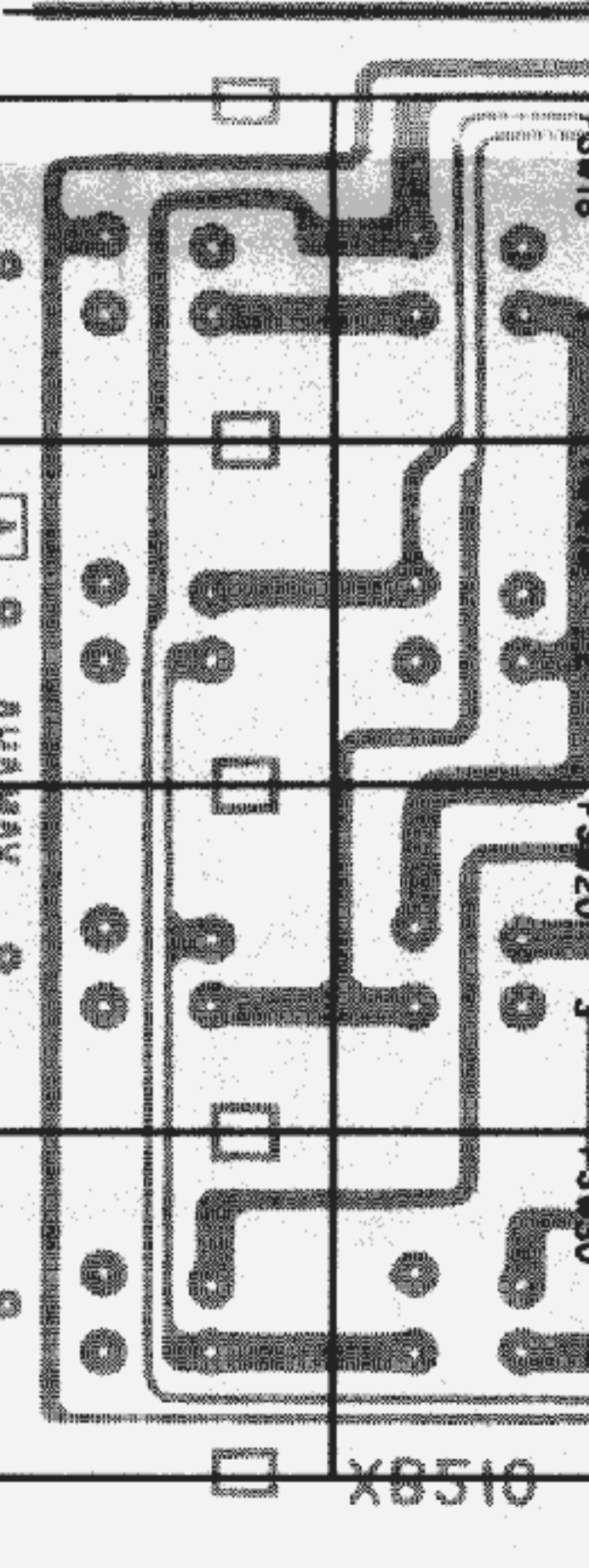
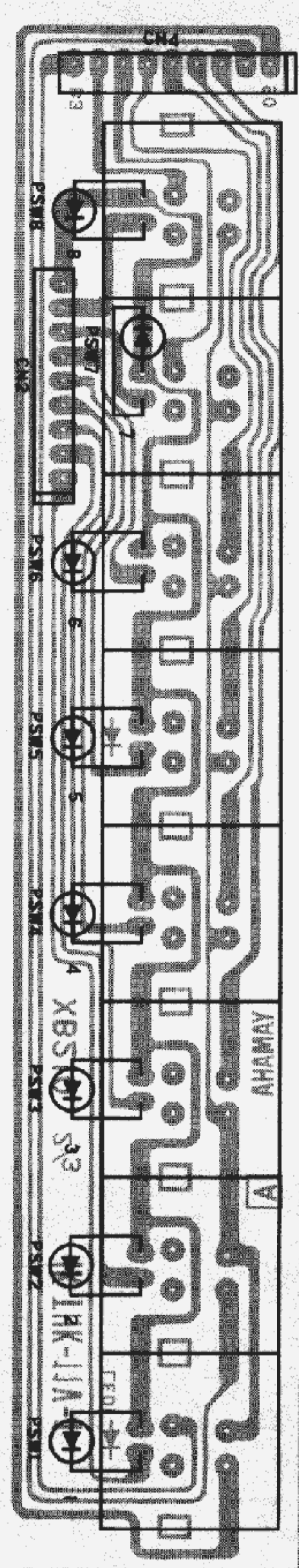
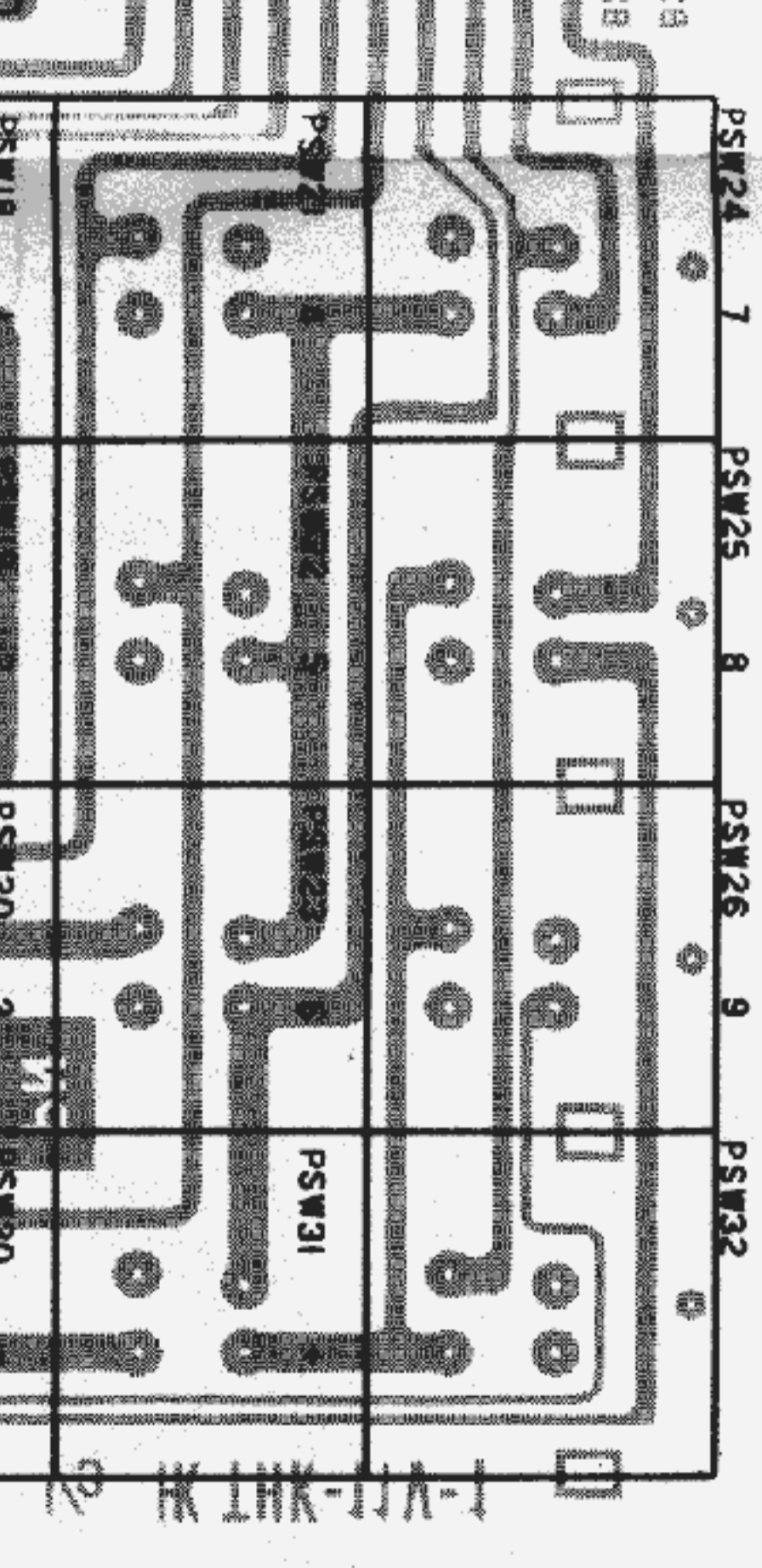
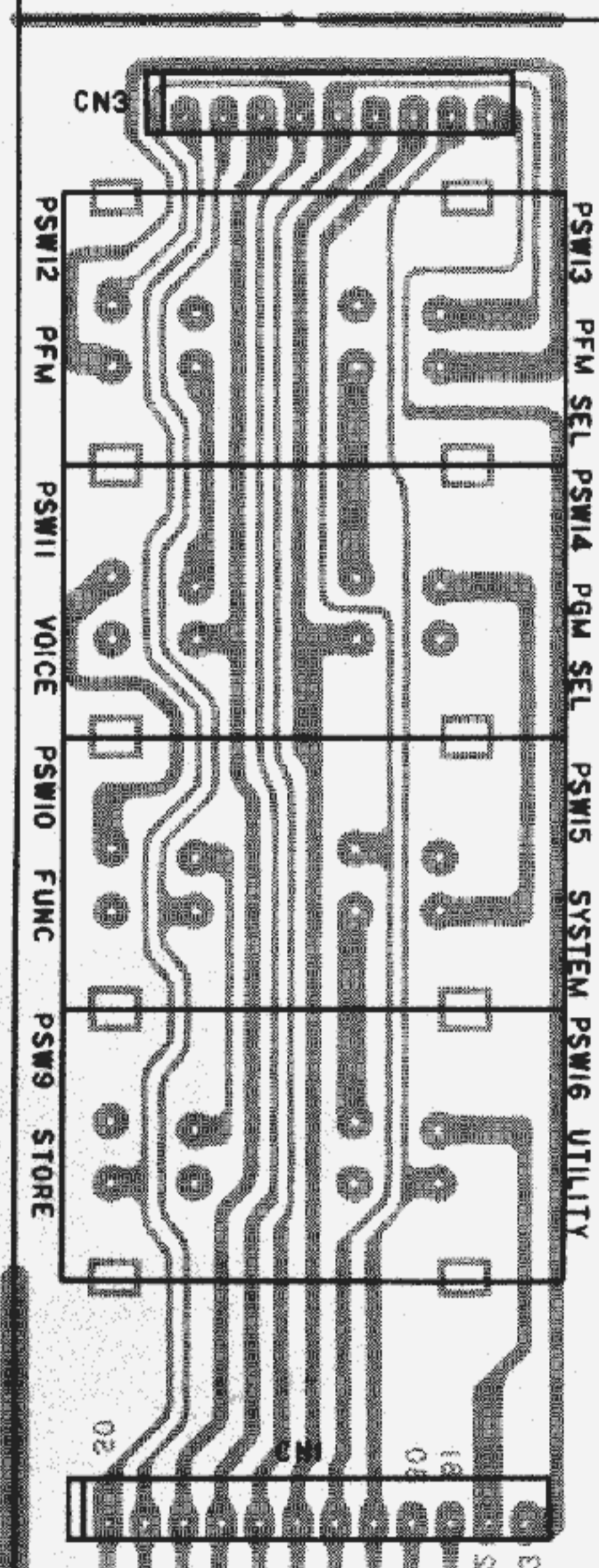
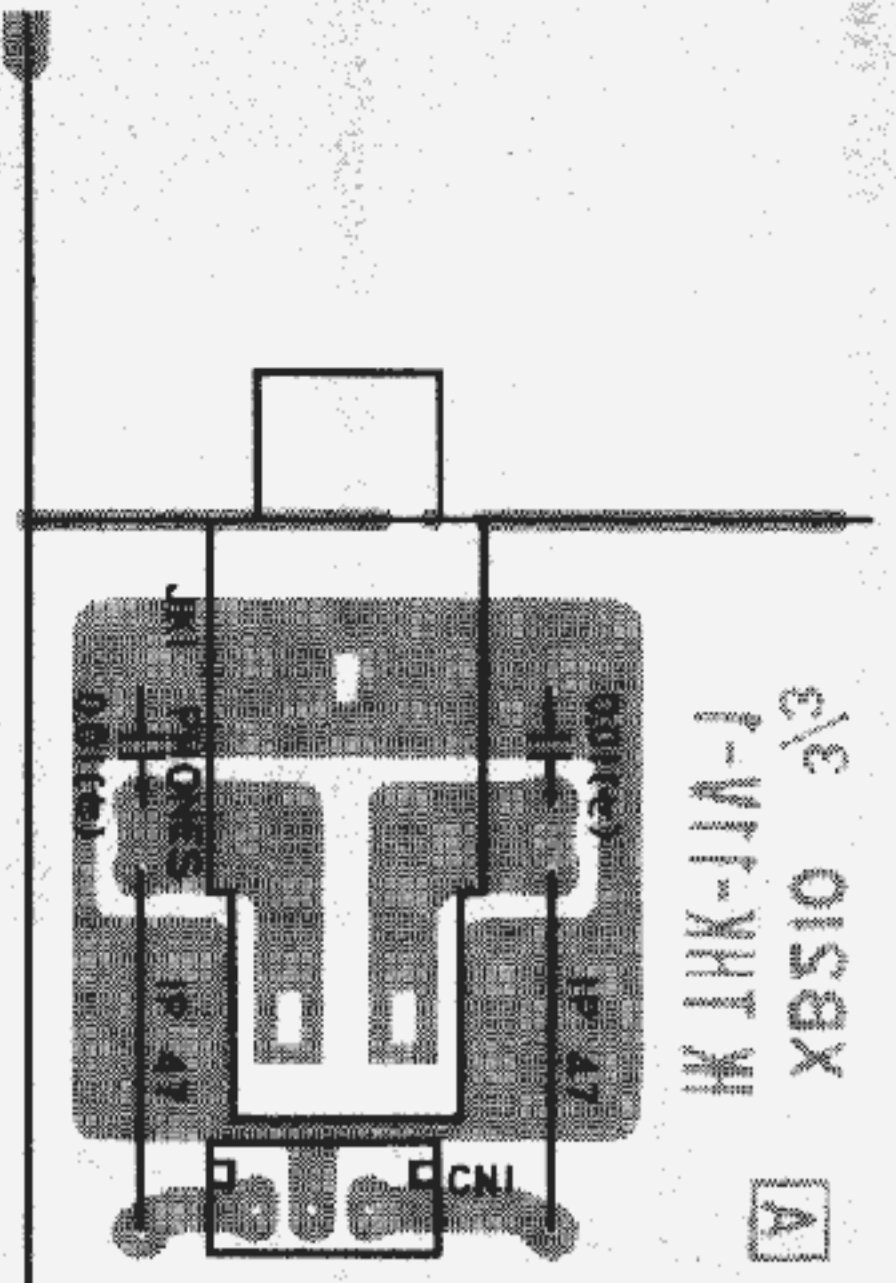


- **NJM4556 (IG042500)**
- **NJM072D (IG107000)**
- **NJM4558DV (IG001390)**
Dual Operation Amplifier



Notes)**DM. Circuit Board: XB209C**

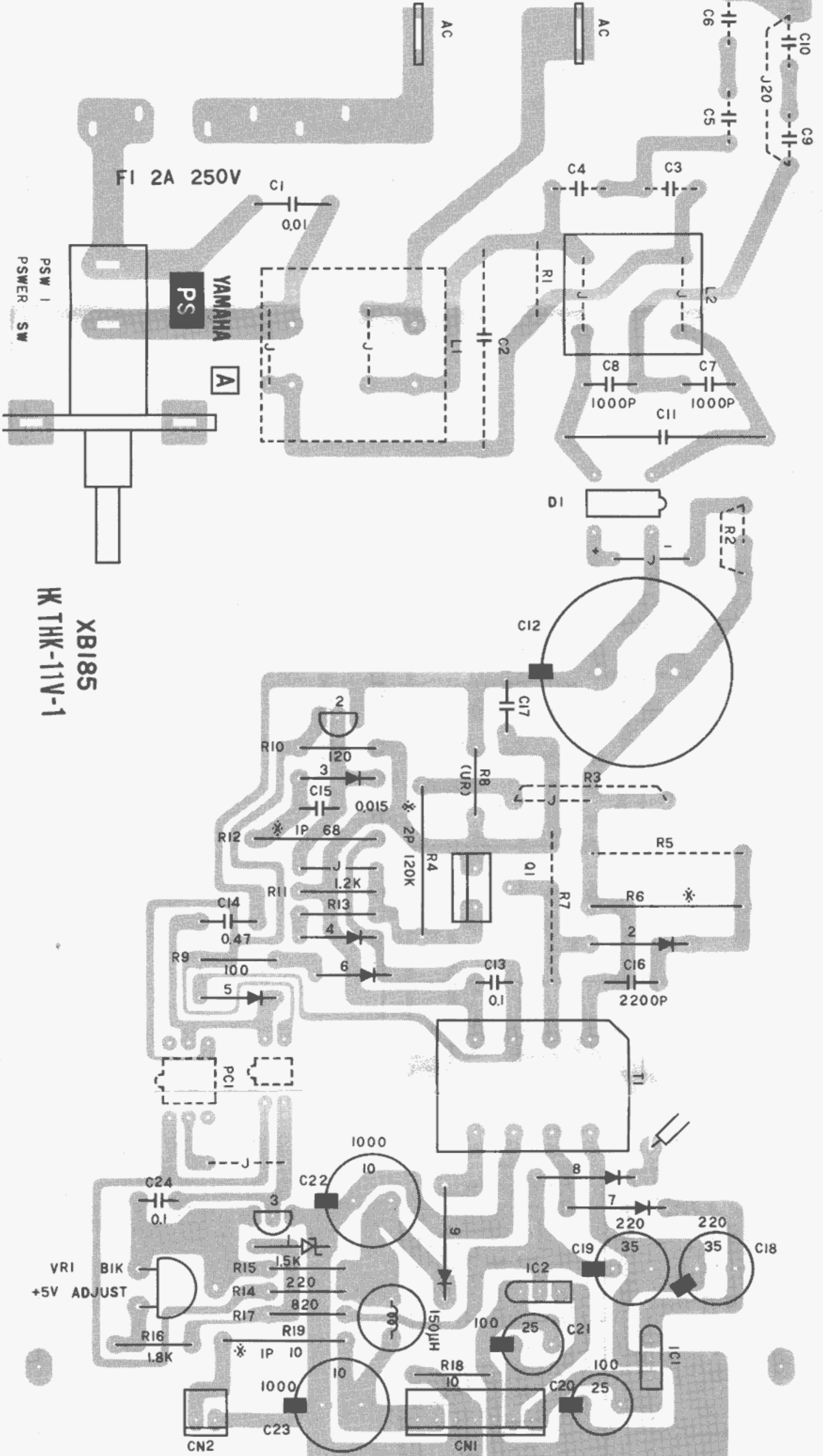
1. IC:
 - IC1: HD63B03YP-N (XD245001) CPU (Master)
 - 2: HD63C03YP (XB529001) CPU (Slave)
 - 3: YM3609 (XA898001) EGM
 - 4: YM2604 (XA489001) OPS2
 - 5: PCM54HP (XA566001) DAC
 - 6: 952AV100 (XB223002) (Main)
 - 7 ~ 9: TC5564PL-15 (XB013001) 8kX8 SRAM
 - 10: 952BV100 (XB224002) (Wave)
 - 11: 952CB100 (XB536002) (Slave)
 - 12: TC5565L-12, 15 (IG148500) 64K SRAM
 - 13: SN74HC14N (IR001450) INV
 - 14: SN74HC139N (IR013950) DECO2
 - 15: TC40H138P (IG111900) DEC DEMP
 - 16, 29, 30: SN74HC174N (IR017450) D.FF
 - 17, 28: SN74HC08N (IR000850) AND
 - 18: SN74HC245N (IR024550) Transceiver
 - 19 ~ 21: SN74HC365N (IR036550) BUS DRI
 - 22: HD74LS04P (IG027010) INV
 - 23: TC40H240P (IG068100) INV
 - 24: TC40H245P (IG130700) BUS BUFF
 - 25: SN74HC138N (IR013850) DECO3
 - 26: TC40H004P (IG51000) INV
 - 27: TC40H074P (IG051100) DFF
 - 31: SN74HC04N (IR000450) INV
 - 32, 33: MC74HC4051N (IR405170) ANALOG MP
 - 34 ~ 41: NJM072D (IG107000) OP AMP.
 - 42 ~ 53,
58, 59: NJM4558DV (IG001390) OP AMP.
 - 54 ~ 57: NJU7301D (XB476001) ANALOG Switch
 - 60: NJM4556 (IG042500) OP AMP.
 - 61: PST518B-2 (IG116200) System Reset
 - 62: NJM78L05A (IG065510) 5V Regulator
 - 63: NJM79L05 (IG130500) -5V 0.1A
 - 64, 65: TC40H374P (IG078600) DFF
 - 66: TC74HC86 (IR008600) EX-OR
2. Photo Coupler:
 - PC1: TLP552
3. Transistor:
 - Q1: 2SC1815 Y, GR
 - 2: 2SA1015 O, Y
 - 3 ~ 5: 2SA933S Q, R
4. Diode:
 - D1 ~ 3: 1SS176
5. Resistor Array:
 - RA1 ~ 5: 4.7k Ω x 8 EX-F9E472J5
 - 6: RML12 4.7K
 - 7: RMLS8-102J
 - 8 ~ 11: 10k Ω x 8 EXB-F9E103J5
 - 12: EXB-F9E474J
6. Semiconductive Cera. Cap.
Marked (\pm): 0.1 μ 16V M
7. EMI Filter:
 - EMI1 ~ 4,7: LS MT Y223NB
 - 5, 6: DS310-55D-104M1
8. Resonator:
 - CR1: Quartz Crystal Unit
9.4265M AT-49
 - CL1: Ceramic Resonator
8M CSA8MT
9. Ferrite Bead:
 - FB1, 2: BL02RN1-R62T2
10. Lithium Battery:
 - B1: CR2032-P5-2



Components side (部品側)

CAUTION TO REDUCE THE RISK OF FIRE, REPLACE ONLY WITH SAME TYPE FUSE.

ATTENTION AFIN DE RÉDUIRE LE RISQUE DE FEU, REMPLACER UNIQUEMENT PAR UN FUSIBLE DE MEME TYPE.



XB185
HK THK-11V-1

Components side (部品側)

Notes)

PS Circuit Board: XB185B

1. IC:
 IC1: AN7815F (XB449001) +15V Regulator
 2: AN7915F (XB450001) -15V Regulator
2. Photo Coupler:
 PC1: PC817
3. Transistor:
 Q1: 2SC3310
 2: 2SC2655 O, Y
 3: 2SC2634 R, S, T
4. Diode:
 D1: S1WB (A) 40 1A 40 Diode Stack
 2: ERB44-06
 3: ERB43-02
 4 ~ 6: 1SS84
 7, 8: ERB44-02
 9: S2K-20
5. Zener Diode:
 ZD1: RD6.2EB2 6.2V
6. Wire Wound Resistor:
 R2: 10Ω 3W
 8: 2.2Ω 3W
7. Potentiometer:
 VR1: B1.0kΩ RVF
8. Coil:
 L2: 5mH NF01UA502
 3: 150μH
9. Push Switch:
 PSW1: ESB-8213A

PS Circuit Board


● **Metal Oxide Resistor**



Model	R4	R6	R7	R12	R19
Japanese	120kΩ 2W	68kΩ 2W	220Ω 2W	68Ω 1W	10Ω 1W
U.S.	↓	↓	↓	↓	↓
Canadian	↓	↓	↓	↓	↓
North European	↓	—	—	↓	↓
West German	↓	—	—	↓	↓

● **Ceramic Cap.**

Model	C1	C2	C3, 4, 7, 8	C11	C16	C17
Japanese	0.01 400V	0.47 250V	1000P 400V	0.22 250V	2200P 400V	220P 400V
U.S.	↓	—	↓	↓	↓	↓
Canadian	↓	—	↓	↓	↓	↓
North European	↓	—	↓	↓	↓	—
West German	↓	0.47 250V	↓	↓	↓	—

● **Fuse & Transformer**

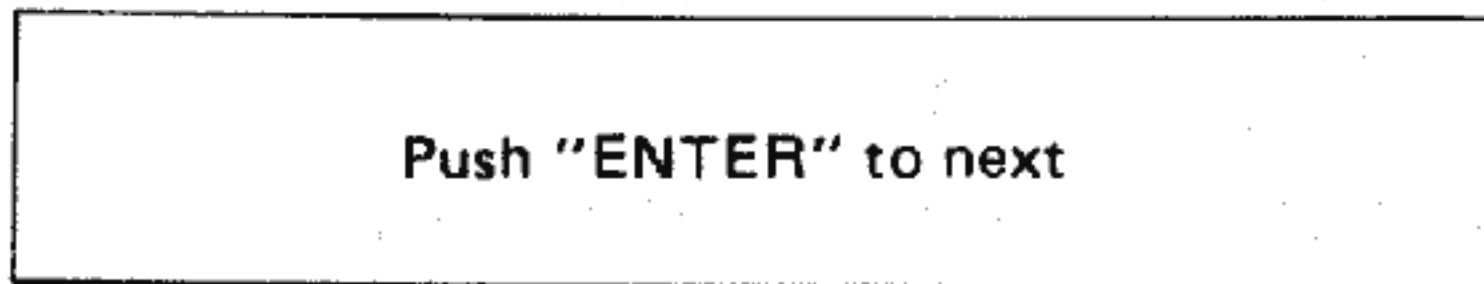
Model	F1	T1
Japanese	 2A 250V	TM205
U.S.	ST-4 2A 250V	↓
Canadian	↓	TYA018
North European	500mA 250V	TYA020
West German	↓	↓

3NA-VB50220-72 : J, U, C
 3NA-VB50260-72 : H, D

TEST PROGRAM(テストプログラム)

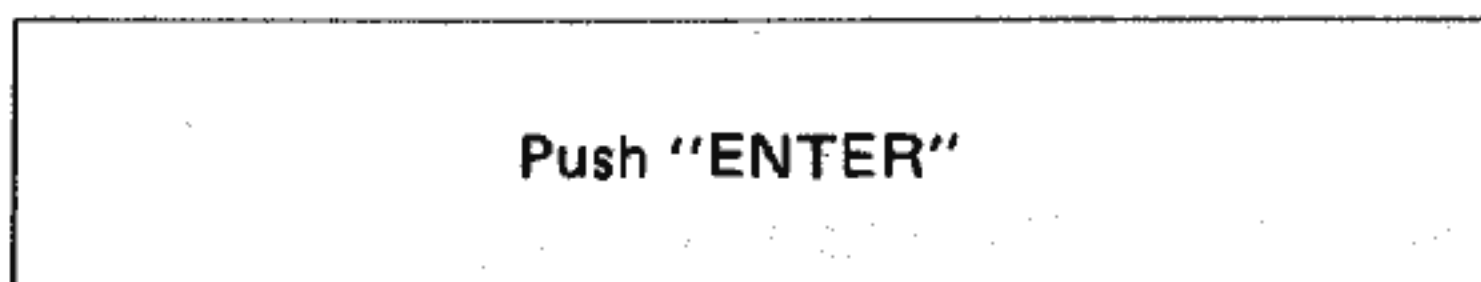
1. Preparation Instructions

- (1) Connect the MIDI IN jack to the MIDI OUT with a MIDI cable.
- (2) You can input a test program number with the +1 or -1 switch.
- (3) If the LCD display indicates the message as shown in the figure 1, pressing the ENTER switch will advance the Test Program to the next routine and activate that test.



(fig. 1)

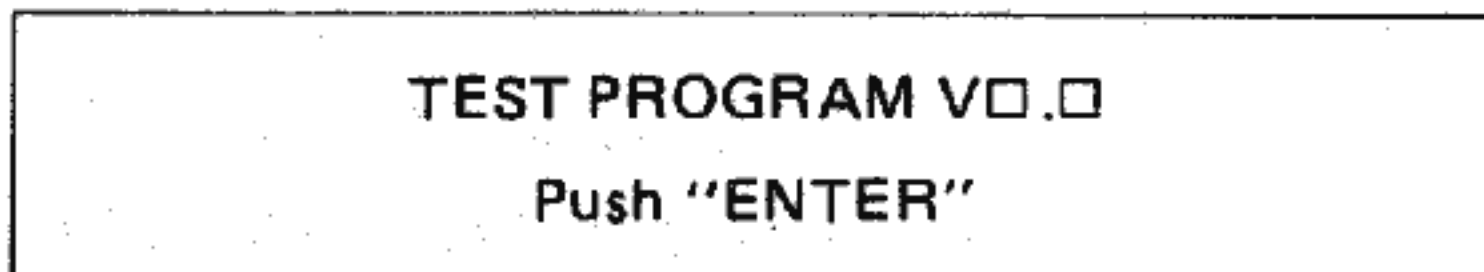
- (4) If the LCD display indicates the message as shown in the figure 2, pressing the ENTER switch will initiate the Test Program indicated on the LCD.



(fig. 2)

2. Test Program Entry

- (1) While pressing the 8 and 9 switches, turn the POWER switch on. The LCD display indicates the version number of the Test Program message as shown in the figure 3.

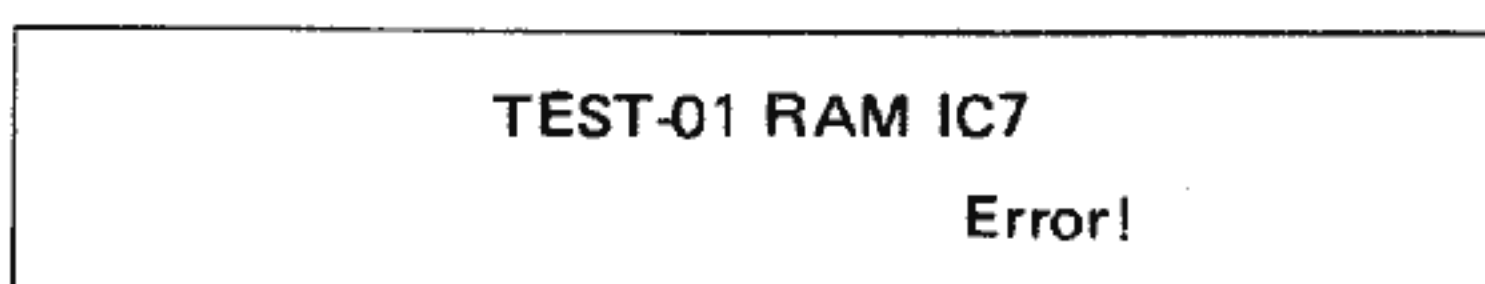


(fig. 3)

- (2) If the ENTER switch is pressed, the Test Program 1 will be initiated.
- (3) If the NO switch is pressed, the routine will reset the system to normal operating mode.

3. TEST 1 : RAM check

When this test is initiated, the RAM check is performed automatically. If the test is OK, the Program will proceed to the next routine. If the test is NG, the LCD display will indicate the error message as shown in the figure 4.



(fig. 4)

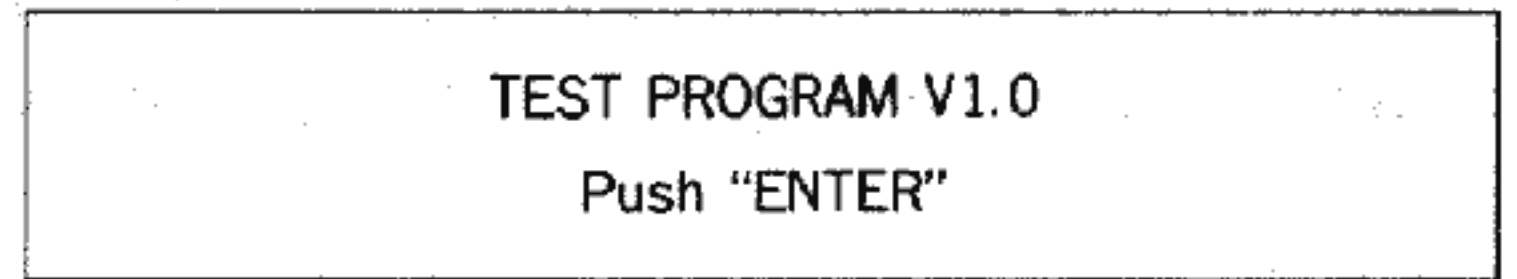
1 準備

MIDI OUT と MIDI IN を接続しておきます。

2 テストプログラム エントリー

- 1). テンキーの「8」、「9」を同時に押しながら、POWER ON します。
- 2). LCD にバージョン番号と、Push "ENTER" が表示されたら「8」、「9」を離します。

▼LCD 表示

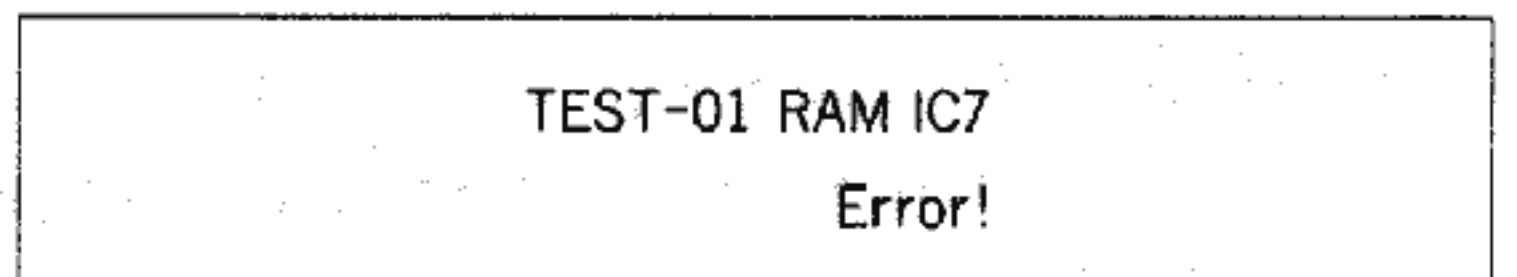


- 3). テストモードに入るためには「ENTER」キーを押します。「NO」を押したときは、通常の動作モードとなります。
- 4). 各々のテストにおいて下行に Push "ENTER" to next と表示される場合は、「ENTER」キーを押すことにより次のテストに移り、実行されます。Push "ENTER" と表示される場合は「ENTER」キーを押すことによりそのテストが実行されます。「+1」、「-1」キーはテスト番号の増減を行いますが、テストは実行されません。

3 RAM チェック(自動チェック)

テストモードに入ると自動的に RAM のチェックを行います。RAM に異常がある場合のみエラー表示され、正常なときは何も表示されずに次のテストに移ります。

▼LCD 表示(エラー時のみ)



(IC..... 7 - 9)

4 LCD チェック

LCD のドットがすべて同時に点滅するので、目視にてドットの欠け等がないことを確認します。

5 パネル LED チェック

TONE GENERATOR ON/OFF スイッチに付いている LED が、以下の動作を 2 巡行しますので、目視にて点灯不良が無いことを確認します。

- 1). 1 から 8 まで順次点灯。
 - 2). 全消灯
 - 3). 全点灯
 - 4). 全消灯
- ◆1). -4). を 2 巡行い、最後に全点灯。

4. TEST 2 : LCD check

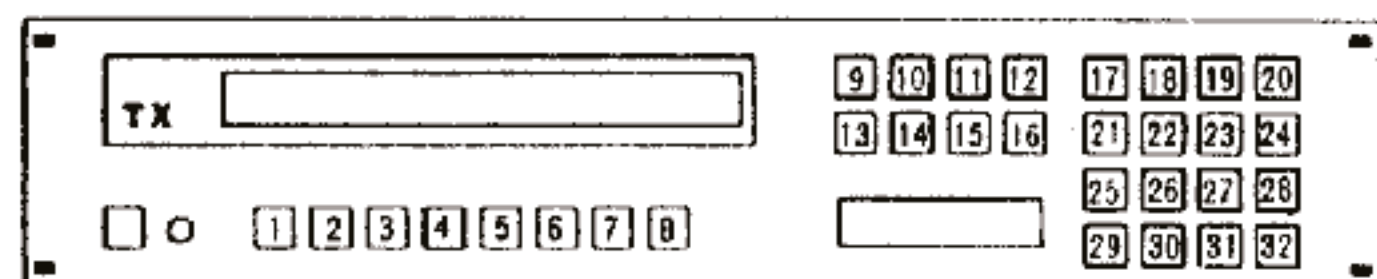
The entire LCD turns "ON and OFF" repeatedly, so that you can verify proper lighting of the LCD display.

5. TEST 3 : LED check

The LED indicators for the TONE GENERATOR ON/OFF will light one after another from left to right, then all of the LED indicators will light simultaneously. This operation occurs 2 times, so that you can verify proper lighting of the LED indicators.

6. TEST 4 – 35 : Panel switch check

When this test is initiated, Test 3 and switch number/name message will appear in the LCD display. Press the switch that is indicated by the LCD display. Pressing the correct switch will advance the Switch Test Program. If an incorrect switch is pressed, or the switch that is indicated by the LCD display is opened, the routine will not proceed to the next step. If the switch is bridged, the LCD display will indicate the switch error message.



(fig. 5)

7. TEST 36 : MIDI check

When this test is initiated, the MIDI check is performed automatically.

8. TEST 37 – 41 : Cartridge check

(1) TEST 37 – 39 : Cartridge type check

- 1 Insert a 64kbits RAM cartridge and press the ENTER switch.
- 2 Insert a 256kbits RAM cartridge and press the ENTER switch.
- 3 Insert a 1Mbits RAM cartridge and press the ENTER switch.

(2) TEST 40 : Protect switch check

Insert a 64kbits RAM cartridge and making sure the cartridge "Memory Protect Switch" is ON. Press the ENTER switch.

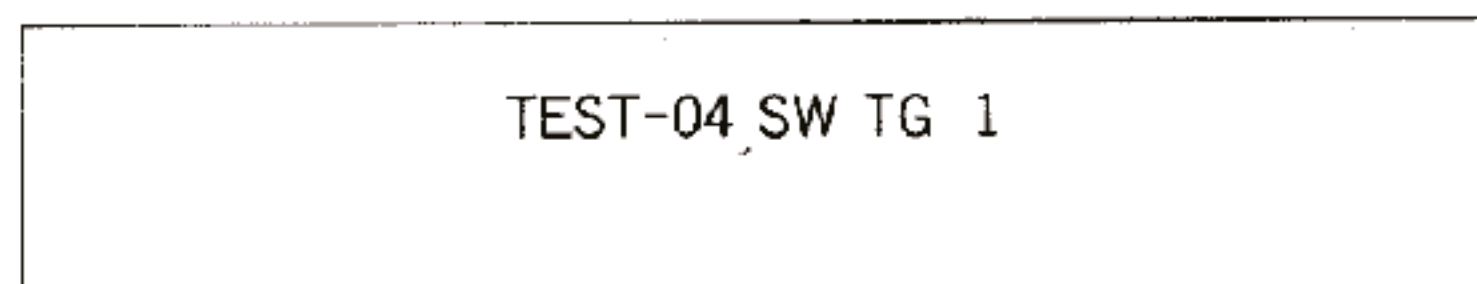
(3) TEST 41 : Read/write check

Turn the cartridge memory protect switch OFF. Press the ENTER switch.

6 パネルスイッチチェック

LCD に次に押すスイッチが表示されますので、そのスイッチを押します。正常であれば次のスイッチに進みますが、オープンまたはブリッジしているときは進みません。また、ブリッジしている時のみLCD にエラーが表示されます。

▼LCD 表示

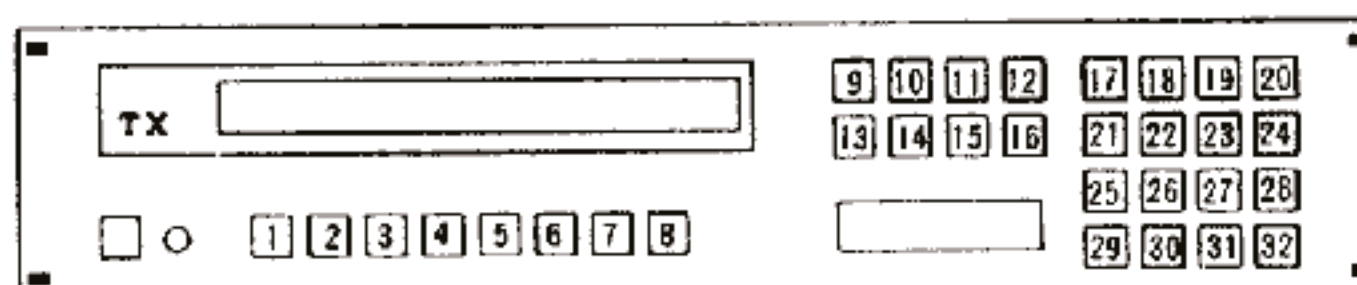


TEST-04,,,11 = (TG... 1 - 8)

TEST-12,,,19 = (MODE...PS,VS,SY,UT,PE,V1,V2,ST)

TEST-20,,,35 = (10key...0-9,<,>,EN,-1,+1,-)

パネルスイッチを押す順番は、以下の図のようになります。



7 MIDI チェック(自動チェック)

MIDI の送受信チェックを行います。

MIDI OUT から "AA, FF, 00, 55" を送信し、それを MIDI IN で受信して自動判定を行います。

8 カートリッジ端子チェック

カートリッジのタイプ、プロテクト、読み出し/書込みの各チェックを行います。

タイプチェック……以下のカートリッジを挿入し、「ENTER」を押す。

type1 = 64Kbit (RAM4)

type2 = 256Kbit

type3 = 1Mbit

プロテクトチェック……

RAM カートリッジ (64K) のプロテクトスイッチを ON にし、「ENTER」を押す。

リード/ライトチェック……

RAM カートリッジ (64K) のプロテクトスイッチを OFF にし、「ENTER」を押す。

● TEST-37,,,39 = (type1-3)

● TEST-40 , 41 = (protect, read/write)

9. TEST 42 – 51 : LINE OUT level check

When this test is initiated, the LCD display indicates Test 42 and OUTPUT message as shown in the figure 6.



(1) TEST 42 – 49 : INDIVIDUAL OUTPUT level check

- 1 Continuous sounds (-6.5 ± 3 dBm at 880 Hz) can be obtained from the 1-8 INDIVIDUAL OUTPUT connectors (RL: $10k\Omega$, Maximum noise level: -77.0 dBm).
- 2 Continuous sounds (-16.0 ± 3 dBm at 880 kHz) can be obtained from the MIXED OUTPUT I and II connectors (RL: $10k\Omega$, Maximum noise level: -80.0 dBm).

10. TEST 52 – 53 : Headphones output level check

When this test is initiated, continuous sounds (-15.0 ± 3 dBm at 880 kHz) can be obtained from the PHONES connector (RL: 47Ω , Maximum noise level: -64.0 dBm).

※ TEST 52, 53 = L, R

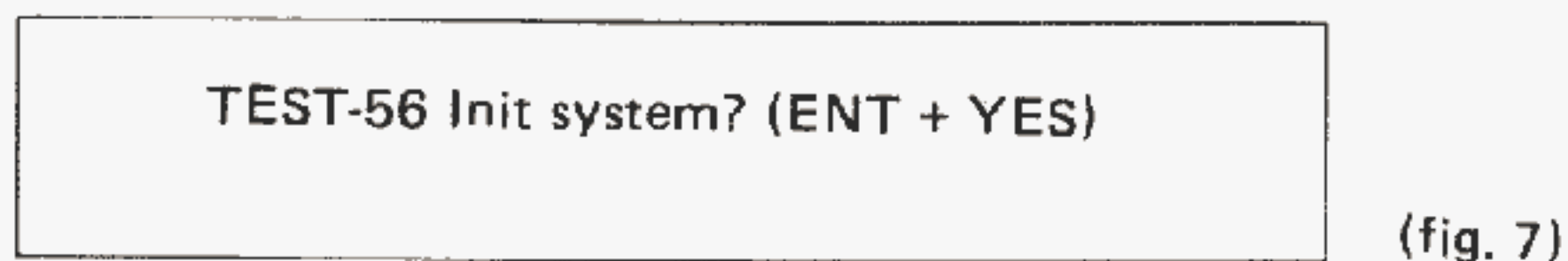
11. TEST 54 – 55 : Mix gates check

When this test is initiated, continuous sound can be obtained in the order of note C, D, D#, E,, B, C from the MIXED OUT I and II connectors or the PHONES connector.

※ TEST 54, 55 = I, II

12. TEST 56 : Memory Initialization

When this routine is initiated, the LCD display indicates the message as shown in the figure 7.



If the +1 switch is pressed while pressing the ENTER switch, the memory will be initialized. If the +1 switch is pressed without pressing the ENTER switch, the initialization will not be activated.

9 ラインアウトレベルチェック

各ライン出力端子のレベルチェックを行います。自動的に A4 (880Hz) の音が出力されるので、以下のレベル範囲であるかどうかをチェックします。

出力レベル (負荷抵抗 $10k$ オーム)

$$1 - 8 = -6.5 \pm 3 \text{ dbm}$$

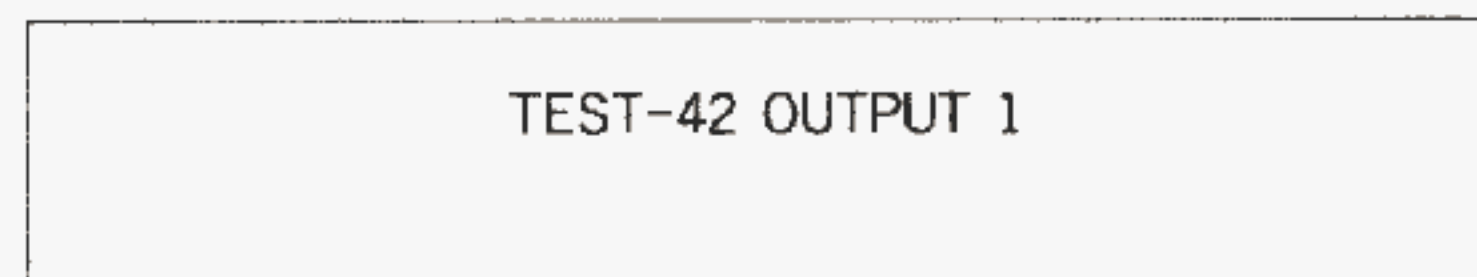
$$I, II = -16.0 \pm 3 \text{ dbm}$$

ノイズレベル

$$1 - 8 = -77.0 \text{ dbm 以下}$$

$$I, II = -80.0 \text{ dbm 以下}$$

▼LCD 表示



● TEST-42, . . . , 49 = (1 - 8)

● TEST-50, 51 = (I, II)

10 ヘッドフォンレベルチェック

ヘッドフォン端子のレベルチェックを行います。自動的に A4 (880Hz) の音が出力されるので、以下のレベル範囲であるかどうかをチェックします。

出力レベル (負荷抵抗 47 オーム)

$$L, R = -15.0 \pm 3 \text{ dbm}$$

ノイズレベル

$$L, R = -64.0 \text{ dbm 以下}$$

● TEST-52, 53 = (L, R)

11 ミックスゲートチェック

MIXOUT I, II から自動的にドレミファソラシドが出力されるので、耳で聞いて音抜けや複音同時発音が無いことを確認します。

◆ヘッドフォンによる確認でも可。(I, II = L, R)

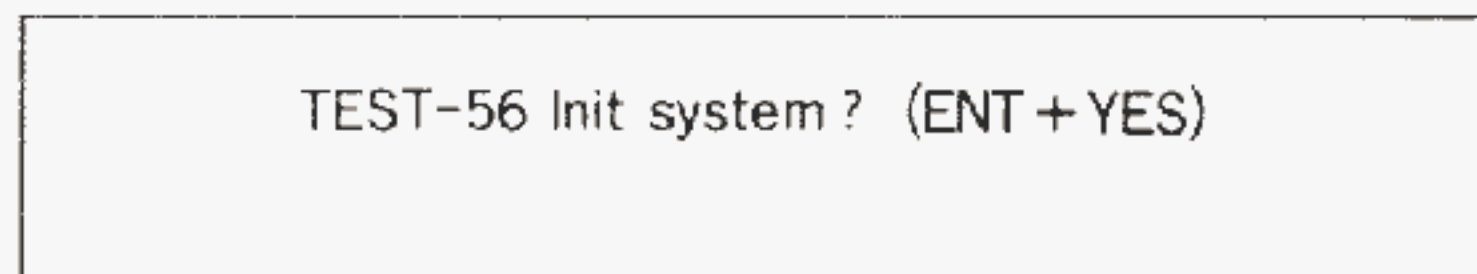
● TEST-54, 55 = (I, II)

12 システムイニシャライズ

TX802 のシステムメモリーを初期化します。

初期化する場合は「ENTER」キーを押しながら「+1 (YES)」キーを、初期化しない場合は「+1 (YES)」キーのみを押します。

▼LCD 表示



13. TEST 57 : Store data

When this routine is initiated, the LCD display indicates the message as shown in the figure 8.



TEST-57 Load data (ENT + YES)

(fig. 8)

- (1) Insert a standard accessory ROM cartridge to the CARTRIDGE slot.
- (2) If the +1 switch is pressed while pressing the ENTER switch, VOICE and PERFORMANCE data will be stored in internal memory.
- (3) If the +1 switch is pressed without pressing the ENTER switch, data will not be stored.
- (4) If this routine is performed, normal operation will be restored.

13 出荷データロード

TX802 の内部メモリーに出荷用のボイス、パフォーマンスの各データをカートリッジからロードします。所定のカートリッジをカートリッジスロットに挿入し、「ENTER」キーを押しながら「+1(YES)」キーを押します。ロードしない場合は「+1(YES)」キーのみを押します。

▼LCD 表示



TEST-57 Load date? (ENT + YES)

◆このテストが終了すると、通常動作となります。

FM TONE GENERATOR

TX802

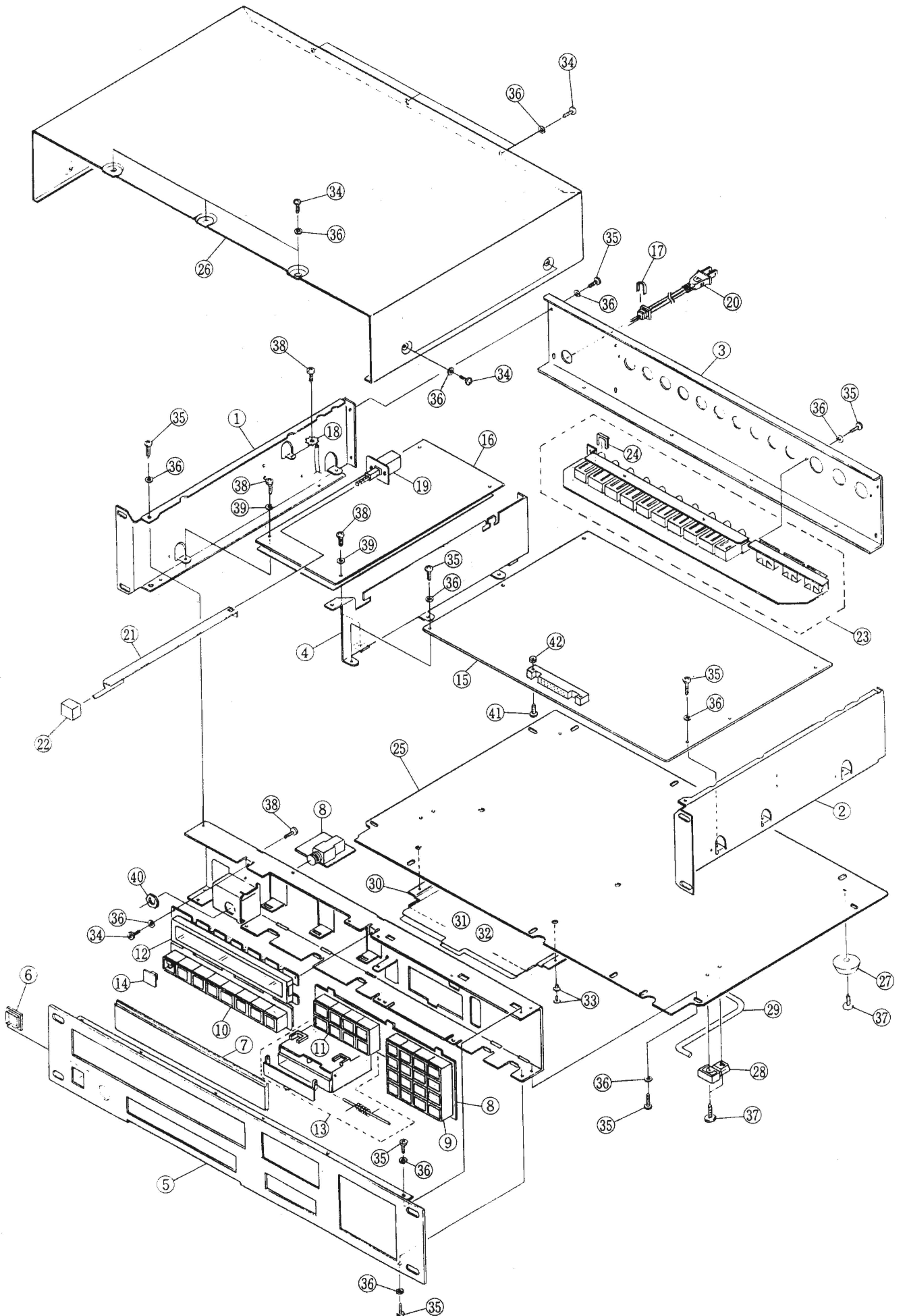
PARTS LIST

Notes

DESTINATION ABBREVIATIONS

A	: Australian model	J	: Japanese model
B	: British model	M	: South African model
C	: Canadian model	Q	: South-east Asia model
D	: West German model	U	: U.S. model
E	: European model	V	: General export model (110V)
F	: French model	W	: General export model (220V)
G	: Belgian model	X	: General export model
H	: North European model	Y	: Export model
I	: Indonesian model		

OVERALL ASSEMBLY (総組立)



OVERALL ASSEMBLY (総組立)

Ref. No.	Part No.	Description		部品名	Remarks	ランク
1	VB667200	Side Board	L	側板 (L)		05
2	VB667300	Side Board	R	側板 (R)		05
3	VB667400	Rear Panel		リアパネル	J	
3	VB672700	Rear Panel		リアパネル	U	
3	VB672900	Rear Panel		リアパネル	C	
3	VB673000	Rear Panel		リアパネル	H	
3	VB671300	Rear Panel		リアパネル	D	
4	VB667500	Stay		ステー		04
5	VB670300	Front Panel		フロントパネル		11
6	VA029600	Escutcheon	(L)	SWエスカッション	Power ON/OFF	02
7	VB670500	Cover, Meter		メーターカバー		
8	VB501600	Circuit Board	PN	PNシート		12
9	VA001000	Escutcheon		SWエスカッション	16	01
10	VA314300	Escutcheon		SWエスカッション	8	01
11	VA314400	Escutcheon		SWエスカッション	MODE SELECT	01
12	VC006700	LCD Assembly	40X2 LED	LCD Ass'y		24
13	VB671900	Cartridge Assembly		カートリッジ Ass'y		05
14	VB248500	Key Top		トップキヤップ	1	02
14	VB248600	Key Top		トップキヤップ	2	02
14	VB248700	Key Top		トップキヤップ	3	02
14	VB248800	Key Top		トップキヤップ	4	02
14	VB248900	Key Top		トップキヤップ	5	02
14	VB249000	Key Top		トップキヤップ	6	02
14	VB249100	Key Top		トップキヤップ	7	02
14	VB249200	Key Top		トップキヤップ	8	02
14	VB676000	Key Top		トップキヤップ	PERFORM SELECT	01
14	VB676100	Key Top		トップキヤップ	PERFORM EDIT	01
14	VB676200	Key Top		トップキヤップ	VOICE SELECT	01
14	VB676300	Key Top		トップキヤップ	VOICE EDIT(I)	01
14	VB676400	Key Top		トップキヤップ	SYSTEM SETUP	01
14	VB676500	Key Top		トップキヤップ	VOICE EDIT(II)	01
14	VB676600	Key Top		トップキヤップ	UTILITY	01
14	VD781400	Key Top		トップキヤップ	STORE/COMPARE	02
14	VB676700	Key Top		トップキヤップ	← INT	01
14	VB676800	Key Top		トップキヤップ	→ CRT	01
14	VB676900	Key Top		トップキヤップ	-/. ,	01
14	VB677000	Key Top		トップキヤップ	ENTER SPACE→	01
14	VB677100	Key Top		トップキヤップ	ON/YES+1 UPPER	01
14	VB677200	Key Top		トップキヤップ	OFF/NO-1 LOWER	01
14	VC472500	Key Top		トップキヤップ	0 ABC	01
14	VC472800	Key Top		トップキヤップ	1 DEF	01
14	VC472900	Key Top		トップキヤップ	2 GHI	01
14	VC473000	Key Top		トップキヤップ	3 JKL	01
14	VC473200	Key Top		トップキヤップ	4 MNO	01
14	VC473300	Key Top		トップキヤップ	5 PQR	01
14	VC473400	Key Top		トップキヤップ	6 STU	01
14	VC473500	Key Top		トップキヤップ	7 VWX	01
14	VC473600	Key Top		トップキヤップ	8 YZ!	01
14	VC473700	Key Top		トップキヤップ	9 #&+	01
15	VB498700	Circuit Board	DM	DMシート		57
16	VB502200	Circuit Board	PS	PSシート	J	
16	VB502300	Circuit Board	PS	PSシート	U	
16	VB502500	Circuit Board	PS	PSシート	C	
16	VB502600	Circuit Board	PS	PSシート	H	
16	VB970900	Circuit Board	PS	PSシート	D	
17	CB811230	Cord Strain Relief	SR-6N-4	コードストッパー	U	02
17	CB806850	Cord Strain Relief	SR-6N3-4	コードストッパー	C	02
17	CB072750	Cord Strain Relief	SR-4N-4	コードストッパー	H	01
17	CB032840	Cord Strain Relief	SR-5N-4	コードストッパー	D	01
18	LA003690	Lug Terminal		ラグ端子	C, D	01
19	VA803700	Switch Panel		スイッチパネル		02
20	MG001820	AC Cord	7A 3.0M	電源コード	J	05
20	MG000100	AC Cord	10A 12FT	電源コード	U	08
20	MG000270	AC Cord	10A 3.3M	電源コード	C	09
20	VC309900	AC Cord	2.5A 3.3M	電源コード	H	06
20	MG000450	AC Cord	6A 3.5M	電源コード	D	
21	VB667600	Rod		ロッド		02
22	CB812380	Push Button		プッシュボタン		01
23	VB671800	Circuit Board Assembly	JK	JKシート Ass'y		12
24	LB301910	Angle Bracket	HLJ0999-01-480	U字金具		01
25	VB248100	Bottom Cover		ボトムカバー		07
26	VB248000	Top Cover		トップカバー		09
27	CB801270	Foot	BL	ゴム足		01
28	CB834960	Holder		スタンドホルダー		02
29	VC048700	Tilt Stand		チルトスタンド		11
30	VC075400	OP Guide Holder		OPガイドホルダー		04
31	VC104100	OP Guide Sheet A		OPガイドシート A		09
32	VC104200	OP Guide Sheet B		OPガイドシート B		09
33	VC089400	Nylon Rivet	NRP-232	ナイロンリベット		

Ref. No.	Part No.	Description		部 品 名	Remarks	ランク
34	ED330066	Bind Head Screw	3.0X6 FCM3BL	バ イ ン ド 小 ネ ジ		01
35	ED330086	Bind Head Screw	3.0X8 FCM3BL	バ イ ン ド 小 ネ ジ		01
36	EV413036	Toothed Lock Washer	A3.0 FCM3BL	歯 付 座 金		01
37	ED340126	Bind Head Screw	4.0X12 FCM3BL	バ イ ン ド 小 ネ ジ		01
38	ED340066	Bind Head Screw	4.0X6 FCM3BL	バ イ ン ド 小 ネ ジ		01
39	EV403046	Toothed Lock Washer	A4.0 FCM3BL	歯 付 座 金		01
40	EV103126	Hexagonal Nut	12 BL	特 殊 六 角 ナ ッ ト		01
41	EA330146	Pan Head Screw	3X14 FCM3BL	ナ ベ 小 ネ ジ		01
42	EV108030	Hexagonal Nut	3.0 ZMC2Y	フ ラ ン ジ 付 六 角 ナ ッ ト		01

ELECTRICAL PARTS (電気部品)

Ref. No.	Part No.	Description		部品名	Remarks	ランク
	VB498700	Circuit Board	DM	DMシート		57
	VB671800	Circuit Board Assembly	JK	JKシート Ass'y		12
	VB501600	Circuit Board	PN	PNシート		12
	VB502200	Circuit Board	PS	PSシート	J	
	VB502300	Circuit Board	PS	PSシート	U	
	VB502500	Circuit Board	PS	PSシート	C	
	VB502600	Circuit Board	PS	PSシート	H	
	VB970900	Circuit Board	PS	PSシート	D	
	VB498700	Circuit Board	DM	DMシート		57
	IG001390	IC	NJM4558DV	IC	OP AMP.	03
	IG042500	IC	NJM4556	IC	OP AMP.	04
	IG107000	IC	NJM072D	IC	OP AMP.	04
	IG065510	IC	NJM78L05A	IC	5V Regulator	03
	IG130500	IC	NJM79L05	IC	-5V 0.1A	03
	IG116200	IC	PST518B-2	IC	System Reset	04
	XB476001	IC	NJU7301D	IC	ANALOG Switch	06
	IG027010	IC	HD74LS04P	IC	INV	04
	IG051000	IC	TC40H004P	IC	INV	03
	IG051100	IC	TC40H074P	IC	DFP	04
	IR008600	IC	TC74HC86	IC	EX-OR	
	IG068100	IC	TC40H240P	IC	INV	07
	IG078600	IC	TC40H374P	IC	DFP	07
	IG111900	IC	TC40H138P	IC	DEC DEMP	04
	IG130700	IC	TC40H245P	IC	BUS BUFF	06
	IR036550	IC	SN74HC365N	IC	BUS DRI	03
	IR000450	IC	SN74HC04N	IC	INV	03
	IR000850	IC	SN74HC08N	IC	AND	03
	IR001450	IC	SN74HC14N	IC	INV	05
	IR013850	IC	SN74HC138N	IC	DECO3	05
	IR013950	IC	SN74HC139N	IC	DECO2	05
	IR017450	IC	SN74HC174N	IC	D.FF	05
	IR024550	IC	SN74HC245N	IC	Transceiver	06
	IR405170	IC	MC74HC4051N	IC	ANALOG MPX	04
	XB529001	IC	HD63C03YP	IC	CPU (Slave)	13
	XA898001	IC	YM3609	IC	EGM	15
	XD245001	IC	HD63B03YP-N	IC	CPU (Master)	
	IG148500	IC	TC5565L-12,15	IC	64K SRAM	21
	XB013001	IC	TC5564PL-15	IC	8KX8 SRAM	20
	XB223002	IC	952AV100	IC	ROM(Main)	
	XB224002	IC	952BV100	IC	ROM(Wave)	
	XB536002	IC	952CV100	IC	ROM(Slave)	
	XA489001	IC	YM2604	IC	OPS2	14
	XA566001	IC	PCM54HP	IC	DAC	12
	IK000470	Photo Coupler	TLP552	フォトカブラ		06
	IA101570	Transistor	2SA1015 O.Y	トランジスタ		03
	IC181580	Transistor	2SC1815 Y.GR	トランジスタ		03
	IA093370	Transistor	2SA933S O.R	トランジスタ		01
	IX000760	Diode	1SS176	ダイオード		01
	VB187300	Resistor Array	4.7kΩ × 8	抵抗アレイ	EX-F9E472J5	01
	VB187500	Resistor Array	10kΩ × 8	抵抗アレイ	EXB-F9E103J5	01
	HZ004700	Resistor Array	RML12 4.7K	抵抗アレイ		01
	VB350600	Resistor Array	RMLS8-102J	抵抗アレイ		01
	VC005700	Resistor Array	EXB-F9E474J	抵抗アレイ		01
	FZ004110	Semiconductive Cera. Cap.	0.1μ 16V M	半導体セラコン		01
	FZ006970	EMI Filter	LS MT Y223NB	LCフィルター EMI		02
	VB576900	EMI Filter	DS310-55D-104M1	LCフィルター EMI		01
	VD065600	Quartz Crystal Unit	9.4265M AT-49	水晶振動子		
	VB817500	Ceramic Resonator	8M CSA8MT	セラミック振動子		03
	GE300610	Ferrite Bead	BL02RN1-R62T2	フェライトビーズ		01
	VB436900	Lithium Battery	CR2032-P5-2	リチウム電池		05
	VB671800	Circuit Board Assembly	JK	JKシート Ass'y		12
	IC287800	Transistor	2SC2878 A,B	トランジスタ		03
	VA928000	Filter	D-03C	ノイズフィルタ DIP		07
	VC017500	Phone Jack	HLJ4306	ホンジャック	Monaural	02
	LB500520	DIN Jack	5P TCS4650	DINジャック		03
	VB501600	Circuit Board	PN	PNシート		12
	VA262300	LED	LN242RP RE	LED		01
	HL314470	Metal Oxide Resistor	47Ω 1W	酸化金属被膜抵抗		01
	KA906530	Push Switch	EVO-Q08R13K	プッシュSW		02
	LB203090	Phone Jack	HLJ0521	ホンジャック	Stereo	02
	VB971100	Coil	20μ H	コイル		01
	VB502200	Circuit Board	PS	PSシート	J	
	VB502300	Circuit Board	PS	PSシート	U	
	VB502500	Circuit Board	PS	PSシート	C	
	VB502600	Circuit Board	PS	PSシート	H	

Ref. No.	Part No.	Description		部 品 名	Remarks	ランク
	VB970900	Circuit Board	PS	P S シ ー ト	D	
	XB449001	IC	AN7815F	I C	+15V Regulator	04
	XB450001	IC	AN7915F	I C	-15V Regulator	04
	IK000480	Photo Coupler	PC817	フ ォ ト カ プ ラ	J, U, C	03
	VB642500	Photo Coupler	PC111	フ ォ ト カ プ ラ	H, D	
	IC263400	Transistor	2SC2634 R, S, T	ト ラ ン ジ ス タ		03
	IC265500	Transistor	2SC2655 O, Y	ト ラ ン ジ ス タ		03
	IX554350	Transistor	2SC3310	ト ラ ン ジ ス タ	J, U, C	03
	IX553890	Transistor	2SC3559	ト ラ ン ジ ス タ	H, D	07
	IF001380	Diode	1SS84	ダ イ オ ー ド		01
	IF008590	Diode	ERB44-02	ダ イ オ ー ド		01
	IX800880	Diode	S2K-20	ダ イ オ ー ド		01
	IH001740	Diode	ERB44-06	ダ イ オ ー ド		01
	IH001750	Diode	ERB43-02	ダ イ オ ー ド		01
	VB845200	Diode Stack	S1WB(A)40 1A 40	ダ イ オ ー ド ス タ ッ ク	J, U, C	02
	IX553900	Diode Stack	S1WB(A)60	ダ イ オ ー ド ス タ ッ ク	H, D	04
	IF001470	Zener Diode	RD6.2EB2 6.2V	ツ ェ ナ ー ダ イ オ ー ド		01
	HL314100	Metal Oxide Resistor	10Ω 1W	酸 化 金 属 被 膜 抵 抗	J, U, C, H, D	01
	HL314680	Metal Oxide Resistor	68Ω 1W	酸 化 金 属 被 膜 抵 抗	J, U, C, H, D	01
	HL325220	Metal Oxide Resistor	220Ω 2W	酸 化 金 属 被 膜 抵 抗	J, U, C	01
	HL327680	Metal Oxide Resistor	68KΩ 2W	酸 化 金 属 被 膜 抵 抗	J, U, C	01
	HL328120	Metal Oxide Resistor	120KΩ 2W	酸 化 金 属 被 膜 抵 抗	J, U, C, H, D	01
	HZ004840	Thermo Fusing Resistor	10Ω 2W	抵 抗 温 度 ヒ ュ ー ズ	C	
	HZ004850	Wire Wound Resistor	10Ω 3W	セ メ ン ト 抵 抗	J, U	01
	HZ004870	Wire Wound Resistor	2.2Ω 3W	セ メ ン ト 抵 抗	J, U, C	01
	HZ004880	Wire Wound Resistor	4.7Ω 3W	セ メ ン ト 抵 抗	H, D	
	HZ004860	Wire Wound Resistor	22Ω 3W	セ メ ン ト 抵 抗	H, D	
	HT570540	Trimmer Potentiometer	B1.0KΩ RVF	半 固 定 V R		02
	VA879300	Ceramic Cap.	220P 400V	規 格 認 定 コ ン	J, U, C	
	VA879600	Ceramic Cap.	1000P 400V	規 格 認 定 コ ン	J, U, C, H, D	
	VA879900	Ceramic Cap.	2200P 400V	規 格 認 定 コ ン	J, U, C, H, D	01
	FI494100	Ceramic Cap.	0.01 400V	規 格 認 定 コ ン	J, U, C, H, D	01
	FR203220	Ceramic Cap.	0.22 250V	規 格 認 定 コ ン	J, U, C, H	
	VC097300	Ceramic Cap.	0.47 250V	規 格 認 定 コ ン	J, D	
	FJ129100	Electrolytic Cap.	1000μ 10V	ケ ミ コ ン		02
	GE300820	Coil	150μ H	コ イ ル		02
	VB638000	Coil	NF01UA502	コ イ ル		04
	KA803610	Push Switch	ESB-8213A	プ ッ シ ュ S W		03
	KB000350	Fuse	T250V 2A	ヒ ュ ー ズ	J	01
	KB001240	Fuse	T250V 2A	ヒ ュ ー ズ	U, C	03
	KB000710	Fuse	T250V 500mA	ヒ ュ ー ズ	H, D	02
	LB201530	Fuse Holder	PC-FH1	ヒ ュ ー ズ ホ ル ダ ー		01
	VC006700	LCD Assembly	40X2 LED	L. C D A s s ' y		24
	GA839100	Power Transformer		電 源 ト ラ ン ス	J, U	12
	GA841400	Power Transformer		電 源 ト ラ ン ス	C	
	GA839510	Power Transformer		電 源 ト ラ ン ス	H, D	
	MG001820	AC Cord	7A 3.0M	電 源 コ ー ド	J	05
	MG000100	AC Cord	10A 12FT	電 源 コ ー ド	U	08
	MG000270	AC Cord	10A 3.3M	電 源 コ ー ド	C	09
	VC309900	AC Cord	2.5A 3.3M	電 源 コ ー ド	H	06
	MG000450	AC Cord	6A 3.5M	電 源 コ ー ド	D	